

15

1503 06

Jack connectors

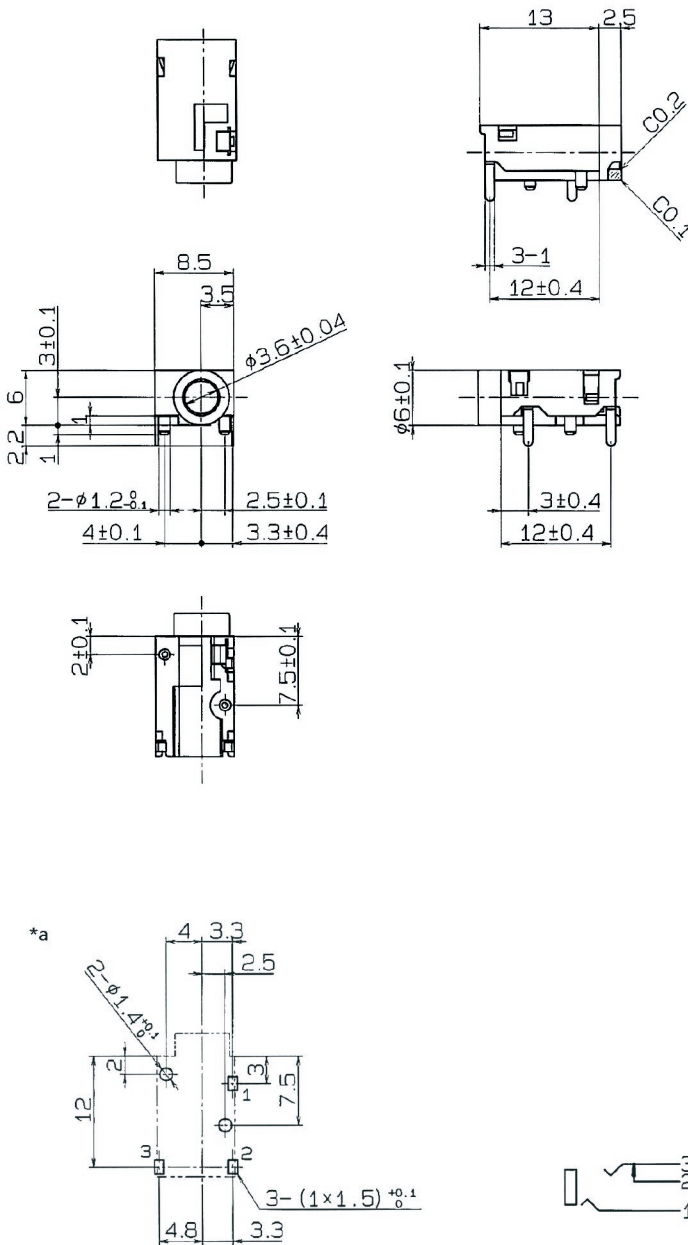


Jack chassis socket acc. to JIS C 6560 JC35J2B, 3.5 mm, 2 poles/mono, angular version, with break contact, for printed circuit boards

State: Obsolete

15

1503 06



Environmental conditions

Temperature range -20 °C/+70 °C

Materials

Insulating body PA, HB according to UL94
Contact spring Cu alloy, silver-plated

Mechanical data

Mating cycles ≥ 5000
Insertion force 4-30 N
Withdrawal force 4-30 N

Electrical data (at T_{amb} 20 °C)

Contact resistance ≤ 30 mΩ
Rated current 1 A
Rated voltage 34 V AC/DC
Rated impulse voltage 500 V/60 s
Insulation resistance ≥ 100 MΩ

Associated products

Counterparts

☞ 1532 04 ☞ 1532 06 ☞ KLS 2
☞ KLS 22 ☞ WKLS 2

*a printed circuit board layout, solder side view

15

1503 06

Designation	Pole Number	PU (Pieces)	MDQ (Pieces)
1503 06	2	500	500

Packaging:

in bulk, in a cardboard box or a plastic bag