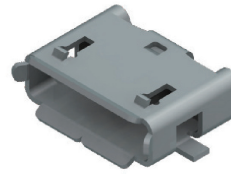


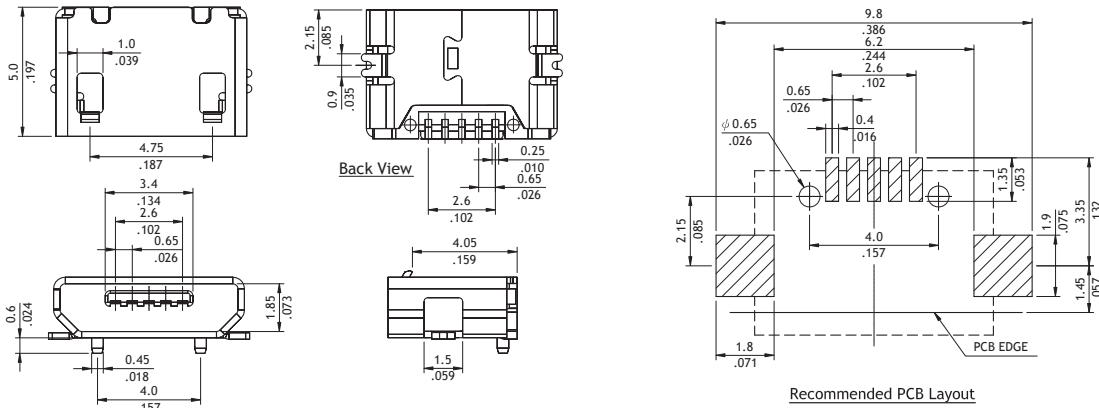
CU09 Series Micro USB2.0 Connectors

- ⊙ High temperature plastic for insulator
- ⊙ With ground pegs
- ⊙ High durability and long cycle life

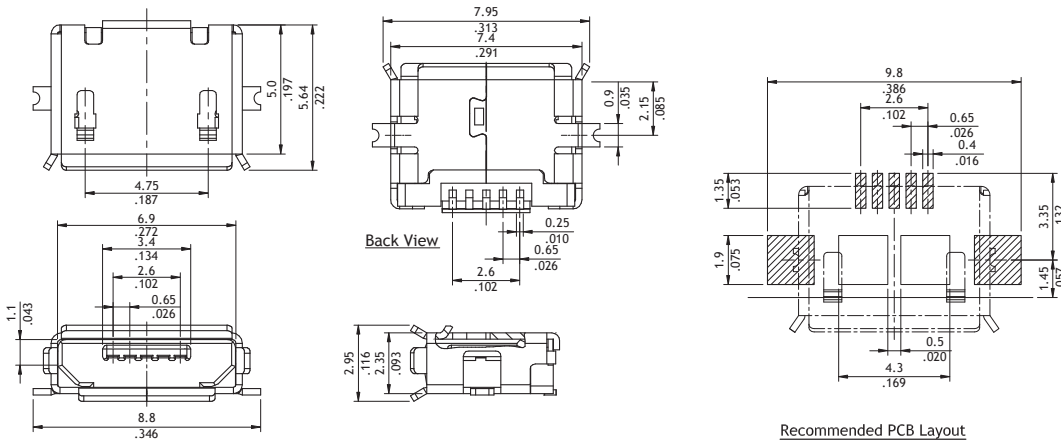


RoHS Compliant

P/N CU09S2M15BC



P/N CU09S2M15C0



Ordering Code

① CU09 ② S ③ 2 ④ M ⑤ 1 ⑥ 5 ⑦ C ⑧ 0

- ① Series No.
- ② S = Socket
- ③ Plating Option:
2 = Gold flash plated over Nickel
- ④ Tail Type: M =SMT Type
- ⑤ Insulator Color: 1 = Black
- ⑥ No. of Circuits: 5 Pin
- ⑦ Type: B = Micro USB 5 Pin Type-B
C = Micro USB 5 Pin Type-AB
- ⑧ Other Options: 0 = Standard
C =W/O Flange Type