

# **U905 Catalog Section**

A note from IDEC:

*Due to continuous product improvements, specifications are subject to change without notice.*

For up-to-date information, or to request a full copy of this catalog,  
please visit us at [www.idec.com](http://www.idec.com)



## LT1 Series — Signalight™ Light Towers

### Display Lights with a Tower of Advantages

Key features of the LT1 series Signalight towers include:

- Custom configurations meet your specifications — simply
- Select your flash preference, lens colors, number of tiers, mounting style, and voltage
- Choice of LED or incandescent lamps
  - LED lamps provide over 100,000 hours of service life and are interchangeable with incandescent bulbs
  - Incandescent lamps (available up to 10 watts) are vibration-resistant and provide a 2,000 hour service life
- Replace the bulbs independently; no need to disassemble the entire unit
- Heat- and shock-resistant polycarbonate lenses
- Flashing models allow each lamp to be flashed or steady
- Choice of metallic base or cost-saving plastic base
- Color-coded wires make assembly and wiring easy
- Mounting options include base and pole mount

**B**



Base Mount



Pole Mount  
(with "L" bracket)





UL Listed  
File No. E70646

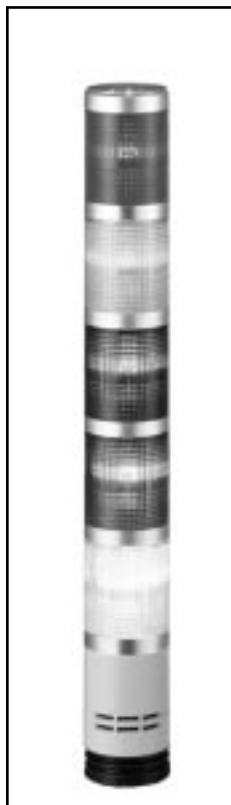




c - UL Listed  
File No. E70646  
(equivalent to CSA)

## Selection Guides

### LT1 Series — LED or Incandescent Light Towers

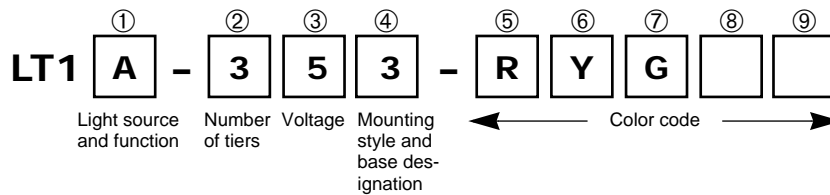
	LT1A	LT1D	LT1H	LT1K
Page	B-4			
Description	Incandescent		LED	
	Steady	Flashing	Steady	Flashing
<b>B</b> Features	<ul style="list-style-type: none"> <li>• Select your flash preference, lens colors, base, number of tiers, mounting style, and voltage</li> <li>• Replace the bulbs independently; there is no need to disassemble the entire unit                             <ul style="list-style-type: none"> <li>• Heat- and shock-resistant polycarbonate lenses</li> <li>• Choice of metallic base or cost-saving plastic base</li> <li>• Color-coded wires make assembly and wiring easy</li> </ul> </li> </ul>			
Nominal Voltage	12V AC/DC, 24V AC/DC, 120V AC, 240V AC (incandescent only)			
Lamp Style	T20 glass bulb, BA15D lamp base		BA15D lamp base	
Lens Colors	Red, Yellow, Green, Blue, White			
Degree of Protection	IP20 (for indoor use only)			
Mounting	Base mount (three stud) Pole mount (horizontal or vertical surface) NPT mount (via adaptor) to 1/2" or 3/4" NPT conduit; install in an upright position			
Optional Pole Height	10.75" (273mm)			
Lens Diameter	2.20" (56mm)			
Ratings/Approvals	 UL Listed File No. E70646		 c-UL Listed File No. E70646 (equivalent to CSA)	



Specifications	LT1A: Incandescent, Non-Flashing								
	LT1D: Incandescent, Flashing/Non-Flashing								
	LT1H: LED, Non-Flashing								
	LT1K: LED, Flashing/Non-Flashing								
	Nominal Voltage		12V AC/DC ±10%	24V AC/DC ±10%	120V AC ±10%	240V AC ±10%			
	Internal Fuse Rating		3.15A	3.15A	1A	1A			
	Lamp Rating	LED	12V AC/DC	24V AC/DC	120V AC	N/A			
		Incandescent	12V, 5W	30V, 10W	120V, 7W	240V, 10W			
	Current Required per Lamp	LED		Red	Green	Yellow	White	Blue	N/A
			12VDC	54mA	78mA	54mA	54mA	78mA	
			24VDC	54mA	39mA	54mA	54mA	39mA	
		120VAC	30mA	30mA	30mA	30mA	30mA		
		Incandescent	0.4A ±10%		0.3A ±10%		0.06A ±10%		0.05A ±10%
	External Contact Capacity		5A	5A	2A	1A			
	In-Rush Current per Lamp	LED	Not applicable						
		Incandescent	Below 4.0A		Below 3.0A		Below 0.6A		Below 0.5A
	Lamp Style	LED	BA15D lamp base						
		Incandescent	T20 glass bulb, BA15D lamp base						
	Lamp Life-Span	LED	100,000 hours (minimum)						
		Incandescent	2,000 hours (average)						
	Lens Colors		Red, Yellow, Green, Blue, White						
	Lens Diameter		2.20" (56mm)						
	Maximum Tiers		5						
	Degree of Protection		IP20 (for indoor use only), NEMA1						
	Flash Rate		LED: 45/minute ±10% (LT1K only) Incandescent: 80/minute ±10% (LT1D only)						
Insulation Resistance		More than 3MΩ by a DC 500V megger							
Voltage Resistance		1,500V AC for 1 minute							
Operating Range		-30 to +40°C (LT1A), -10 to +40°C (LT1D), 15 to 90% relative humidity							
Vibration Resistance		2.2G maximum							
Mounting		Base mount (three stud) Pole mount (horizontal or vertical surface) NPT mount (via adaptor) to 1/2" or 3/4" NPT conduit Install in an upright position							
Optional Pole Height		10.75" (273mm)							
Approvals		 UL Listed File No. E70646		 c-UL Listed File No. E70646 (equivalent to CSA)					
Wire Size		Non-flashing (steady): 20 AWG Flashing: 18 AWG and 20 AWG							

**SignalLight™ Part Numbers (assembled)**

**Part Number Guide**

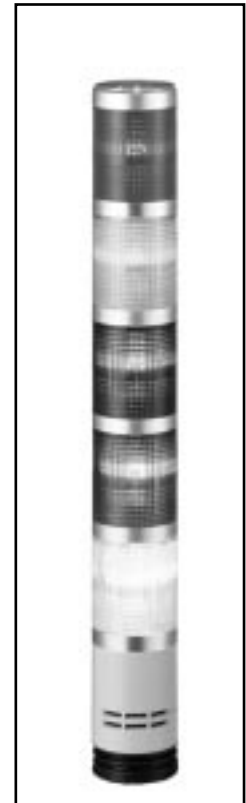


To determine the appropriate SignalLight part number, use these numbered boxes in conjunction with the codes in the *Part Numbers: Assembled Parts* table below.

B

**Part Numbers: Assembled Parts**

Box No.	Description		Code
①	Light source and function	Non-flashing (steady), incandescent lamp	A
		Flashing/non-flashing, incandescent lamp	D
		Non-flashing (steady), LED lamp	H
		Flashing/non-flashing, LED lamp	K
②	Number of tiers	Maximum of 5 tiers	1–5
③	Voltage	12V AC/DC	1
		24V AC/DC	2
		120V AC	5
		240V AC (incandescent only)	8
④	Mounting style and base designation	Base mount, plastic base	1
		Base mount, metallic base	2
		Pole mount, plastic base	3
		Pole mount, metallic base	4
⑤ - ⑨	Color code	Red	R
		Yellow	Y
		Green	G
		Blue	S
		White	W



Specify lens color code from the lowest to the highest tier.

**Examples: Assembled Parts**

Part No.	Description
LT1A-354-RRR	Non-flashing incandescent, 3 tiers, 120V AC, pole-mount, metallic base, all Red lenses
LT1D-182-S	Flashing/non-flashing incandescent, 1 tier, 240V AC, base-mount, metallic base, Blue lens
LT1D-221-RS	Flashing/non-flashing incandescent, 2 tier, 24V AC/DC, base-mount, plastic base, Red and Blue lenses
LT1H-412-RGYW	Non-flashing LED, 4 tier, 12V AC/DC, base-mount, metallic base, Red, Green, Yellow, and White lenses
LT1K-554-GSRGR	Flashing/non-flashing LED, 5 tier, 120V AC, pole-mount, metallic base, Green, Blue, Red, Green, and Red lenses

## SignalLight™ Part Numbers (sub-assembled)

### Part Numbers: Sub-Assemblies

Description	Part No.	Notes	Examples
Flashing/non-flashing (steady) light body frame	LT1A-01#*\$	# = Number of tiers (1-5) * = Lamp voltage (2 = 24V AC/DC, 5 = 120V AC, 8 = 240V AC) \$ = Body cover (M = metallic, P = plastic)	LT1A-0142M = Steady light, four tiers, 24V AC/DC, metallic base
Flashing light body frame	LT1D-01#*\$		LT1D-0125P = Flashing light, two tiers, 120V AC, plastic base
Lens	LT1X-08*	* = Color: R = Red, Y = Yellow, G = Green, S = Blue, W = White	LT1X-08G = Green lens
12V AC/DC LED lamp	LTXD-1*	* = Color: R = Red, Y = Yellow, G = Green, S = Blue, W = White	LTXD-1R = Red LED, 12V AC/DC
24V AC/DC LED lamp	LTXD-2*		LTXD-2S = Blue LED, 24V AC/DC
120V AC LED lamp	LTXD-120*		LTXD-120Y = Yellow LED, 120VAC
12V AC/DC	B5-2		
30V AC/DC incandescent lamp	B5-31		
120V AC incandescent lamp	B5-1		
240V AC incandescent lamp	B5-4		
Mounting pole (optional)	LT1Z-10		



1. Part numbers for LED and incandescent bases are identical.

### Examples: Sub-Assemblies

Complete Part No.	Quantity	Sub-Assembly Part No.	Description
LT1A-354-RRR	1	LT1A-0135P	Steady, 3 tier, 120V AC, plastic base
	3	LT1X-08R	Lenses: all Red
	1	LT1X-06	Top cap
	3	B5-1	120V AC incandescent lamps
	1	LT1Z-10	Pole unit
LT1D-182-S	1	LT1D-0118M	Flashing, 1 tier, 240V AC, metallic base
	1	LT1X-08S	Lens: Blue
	1	LT1X-06	Top cap
	1	B5-31	240V AC incandescent lamp
LT1K-221-RS	1	LT1D-0122P	Flashing, 1 tier, 24V AC/DC, plastic base
	2	LT1X-08R,S	Lenses: Red and Blue
	1	LT1X-06	Top cap
	1	LTXD-2R	24V AC/DC LED lamp, Red
	1	LTXD-2S	24V AC/DC LED lamp, Blue



2. The Assembled Parts Table is on page B-6.

### Sub-Components

Description	Quantity
Body frame	Required: 1 per unit
Lens(es)	Variable: from 1 – 5
Top cap	Required: 1 per unit
Lamps	Variable: from 1 – 5
Mounting pole	Optional: 1 per unit

## SignalLight™ Accessories

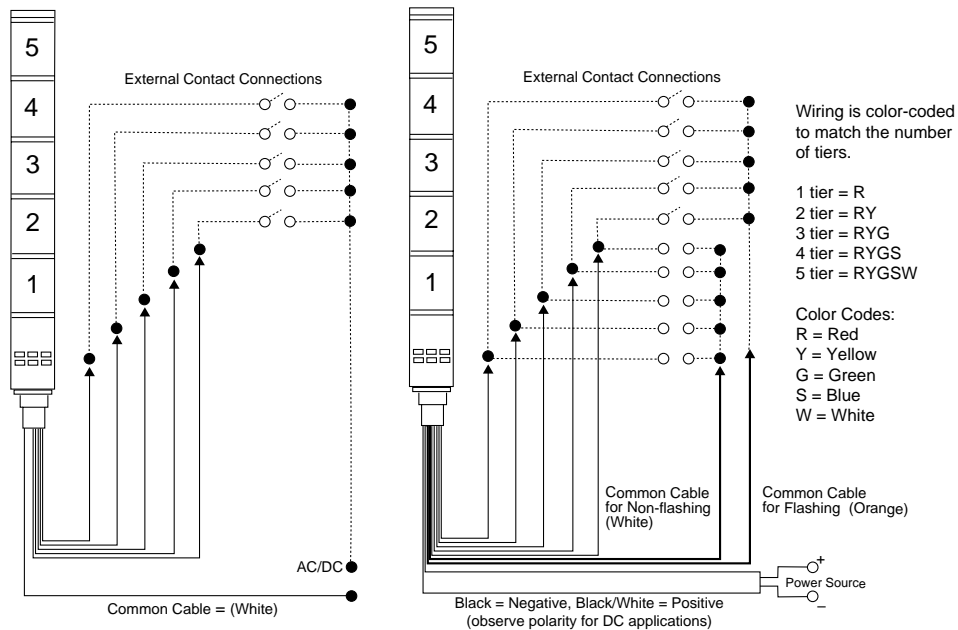
### Part Numbers: Accessories/Replacement Parts

Description	Part No.	Remarks
LED Lamp 	LTXD-1*	12V AC/DC See below for available colors
	LTXD-2*	24V AC/DC See below for available colors
	LTXD-120*	120V AC See below for available colors
Incandescent Lamp 	B5-2	12V AC/DC, 5W
	B5-31	30V, 10W (for use with 24V AC/DC)
	B5-1	120V AC, 7W
	B5-4	240V AC, 10W
Lens 	LT1X-08*	See below for available colors
Top Cover 	LT1X-06	Clear polycarbonate
Mounting Pole 	LT1Z-10	Chrome-plated steel supplied with "L" bracket and two M22 x 1.5 hexagonal nuts
Pole Mounting Fixture 	LT1Z-11	Aluminum fixture for mounting pole-mounted units to horizontal surface; not included with assembled SignalLight units
NPT Pole Adaptors 	LT1Z-NPT50	1/2" NPT pole adaptor; not included with assembled SignalLight units
	LT1Z-NPT75	3/4" NPT pole adaptor; not included with assembled SignalLight units



\* LED and lens colors: R = Red, G = Green, Y = Yellow, W = White, and S = Blue.

## Signalight™ Wiring



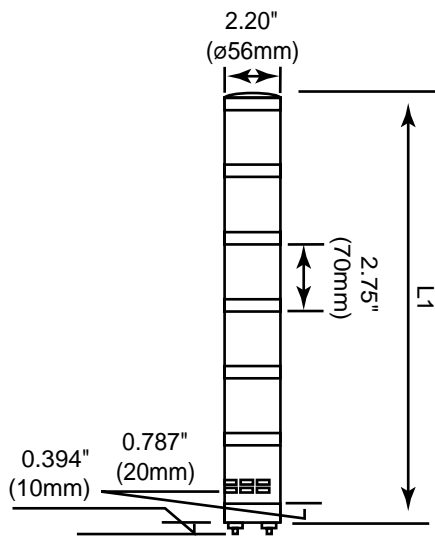
LT1A/LT1H: Non-Flash Series

LT1D/LT1K: Flash/Non-Flash Series

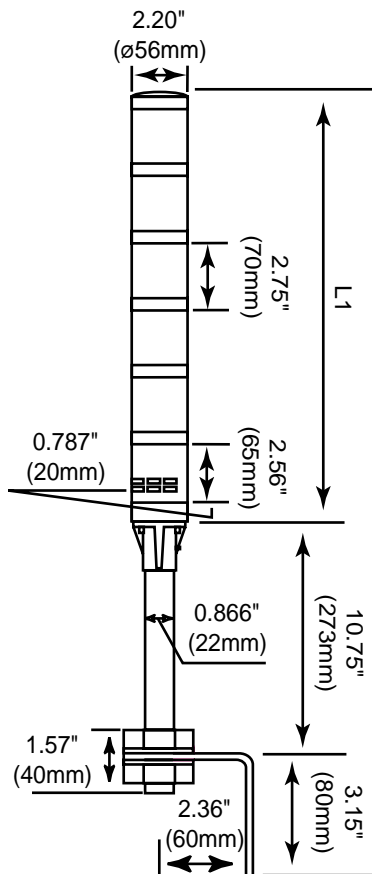
**B**

## Signalight Dimensions

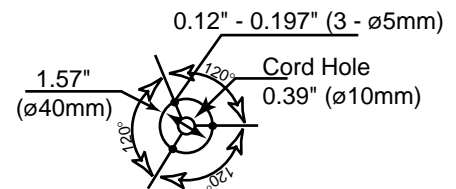
Assembled Base Mount



Assembled Pole Mount



Mounting Hole Layout: Base Mounting Style



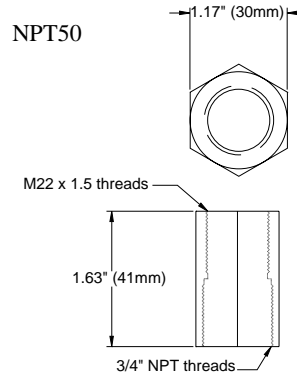
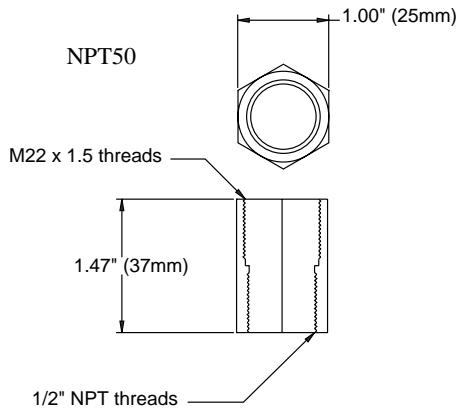
Number of Tiers	L1
1	6.7" (170mm)
2	9.4" (1240mm)
3	12.2" (310mm)
4	15.0" (380mm)
5	17.7" (450mm)



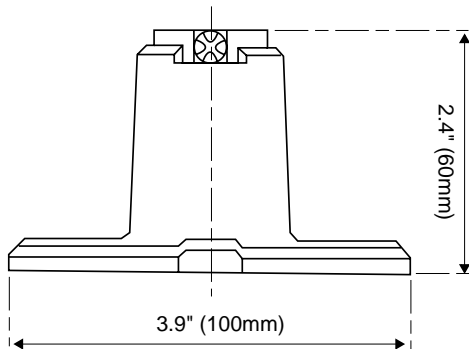
## SignalLight Dimensions, continued

### Adapter

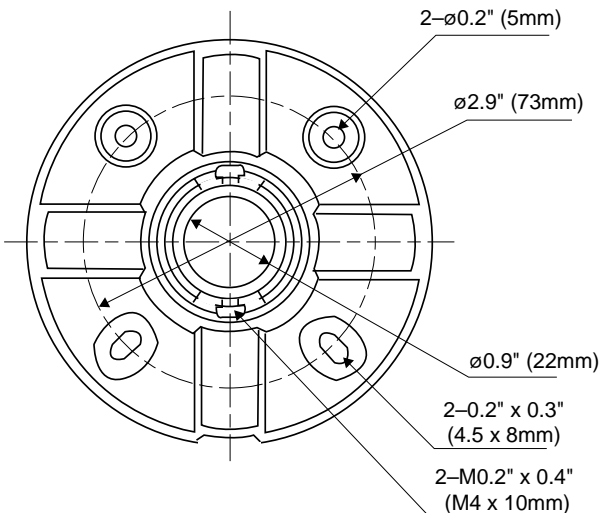
**B**



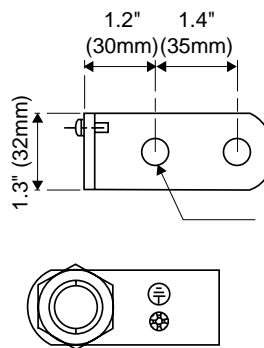
### Optional Pole Mounting Base: Side View



### Optional Pole Mounting Base: Bottom View



### Mounting Bracket (provided with mounting pole)



### Mounting Pole

