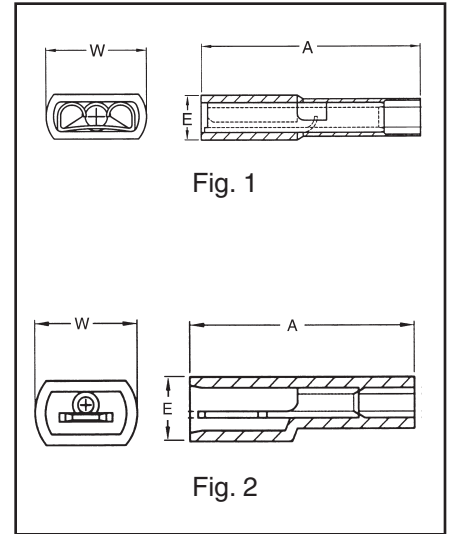
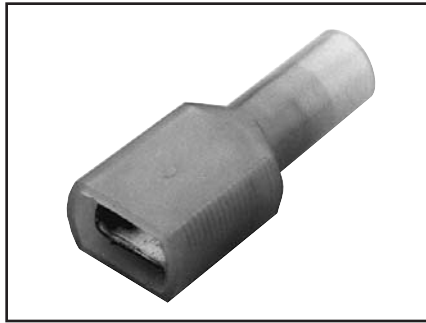


### TYPES FQN-F AND FQN-M FINGRIP™

### NYLON FULLY INSULATED FEMALE AND MALE QUICK DISCONNECTS

MATERIAL: TIN-PLATED BRASS  
300 VOLTS MAX. 105° C MAX.



#### Features and Benefits

- Fully insulated connectors.
  - ◇ Eliminate the need for post installation insulation.
- Funnel entry barrel opening.
  - ◇ Assures quick and easy wire insertion.
- Dimpled female socket detent.
  - ◇ Ensures firm grip.

B-39

#### FULLY INSULATED FEMALE NYLON DISCONNECT TERMINAL (Fig. 1)

STANDARD CATALOG NO.	STD. PKG. QTY.	WIRE RANGE	NEMA TAB SIZE	DIMENSIONS		BULK CATALOG NO.	BULK PKG. QTY.	INSTALLATION TOOL*
				A	W			
<a href="#">FQN18F25X03D</a>	50	18-22	.250 × .032	0.98	0.40	<a href="#">FQN18F25X03B</a>	1000	Y10D
<a href="#">FQN14F25X03D</a>	50	14-16	.250 × .032	0.96	0.40	<a href="#">FQN14F25X03B</a>	1000	
<a href="#">FQN10F25X03D</a>	25	10-12	.250 × .032	0.99	0.41	<a href="#">FQN10F25X03B</a>	500	

#### FULLY INSULATED MALE NYLON DISCONNECT TERMINAL (Fig. 2)

STANDARD CATALOG NO.	STD. PKG. QTY.	WIRE RANGE	NEMA TAB SIZE	DIMENSIONS		BULK CATALOG NO.	BULK PKG. QTY.	INSTALLATION TOOL*
				A	W			
<a href="#">FQN18M25X03D</a>	50	18-22	.250 × .032	1.05	0.48	<a href="#">FQN18M25X03B</a>	1000	Y10D
<a href="#">FQN14M25X03D</a>	50	14-16	.250 × .032	1.03	0.48	<a href="#">FQN14M25X03B</a>	1000	
<a href="#">FQN10M25X03D</a>	25	10-12	.250 × .032	1.03	0.48	<a href="#">FQN10M25X03B</a>	500	

\* For UL listed applications consult BURNDY® factory.

\*\* For Mylar tape reels consult BURNDY® factory.