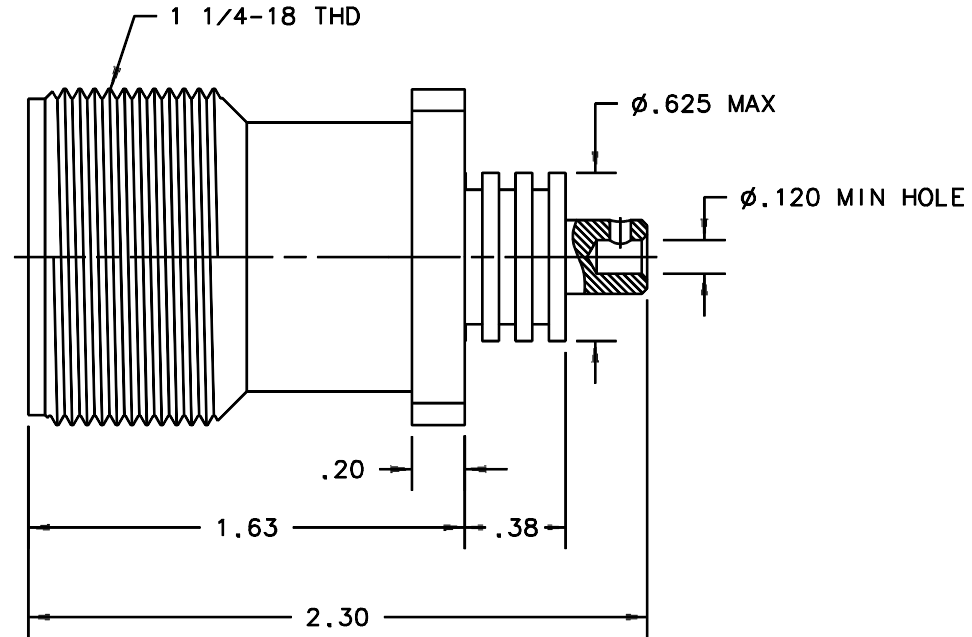
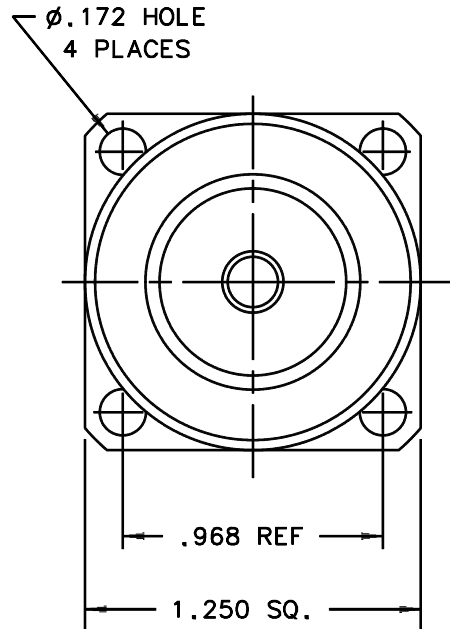


This document, including the design, configuration and mechanical features revealed herein are the sole, confidential and proprietary property of Tru-Connector Corporation. Reproduction or use thereof, in whole or part, is prohibited without the prior written consent of Tru-Connector Corporation.

REV	DESCRIPTION	DATE	APPROVAL
/	ORIGINAL ISSUE	2-16-99	WWW
A	Ø.625 MAX WAS Ø.63 ECO 1965	7/25/02	DA

CLOSED SLOT CONTACT



Material: INSULATORS - TEFLON  
 FEMALE CONTACT - BERYLLIUM COPPER  
 OTHER METAL PARTS - BRASS

CONTACT - SILVER PLATED  
 OTHER METAL PARTS - NICKEL PLATED

UNLESS OTHERWISE SPECIFIED:  
 DIMENSIONS ARE IN INCHES  
 CHAMFER FIRST THREAD 45°  
 DIMENSIONS BEFORE PLATING

TOLERANCES:  
 FRACTIONS: ±1/64  
 .XX ±.01  
 .XXX ±.005  
 ANGLES: ±1/2°  
 MACHINED SURFACES 83 ✓



DRAWN BY	DATE
Warren W.	2-16-99
ENG APPROVAL	DATE
Koch	2-16-99
MFG APPROVAL	DATE
OTHER APPROVAL	DATE

REFERENCE



TRU-CONNECTOR CORPORATION  
 245 LYNNFIELD STREET  
 PEABODY, MASSACHUSETTS

TITLE  
 CONNECTOR, COAXIAL, RF  
 SERIES: LC(f)  
 RECEPTACLE, PANEL

SIZE	CAGE CODE	DWG NO.	REV
A	92180	TRU-8385-SNT	A
CAD FILE: SERIES LC/ RECEPTACLE		SCALE 1.5X	SHEET 1 of 1