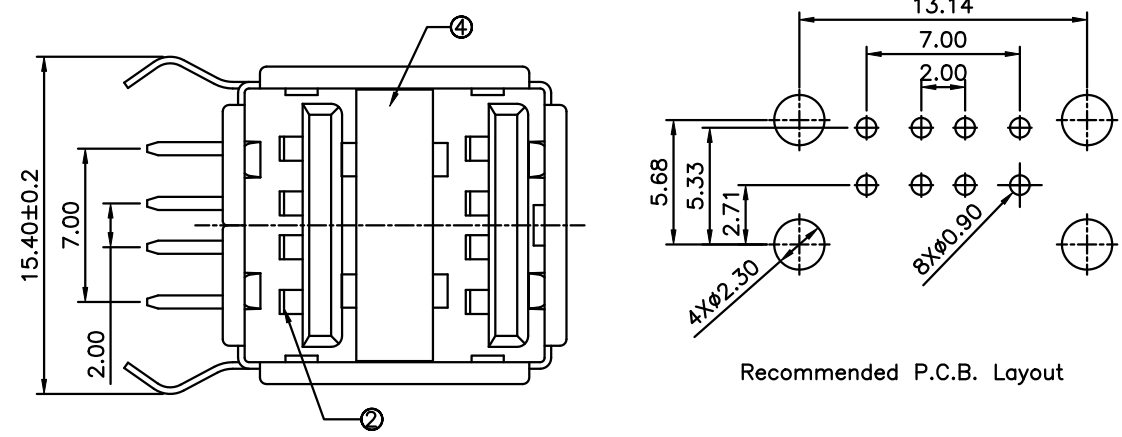


△△ SPECIFICATION

Current Rating:1.5A Max.
 Rated Voltage:30V DC Max.
 Dielectric Withstanding Voltage:500V AC For 1 Minute
 Contact Resistance:30 Milliohms Max.
 Insulation Resistance:1000 Megaohms Min. At 500V DC
 Total Mating Force:35N Max.
 Total Unmating Force:10N Min.
 Temperature Range:0°C~+40°C
 Storage Temperature:-55°C~+85°C
 RoHS Compliant

USB 1X04 SRB - XX - SXX - H
 (1) (2) (3) (4) (5) (6)

- (1) USB:USB Series
- (2) 1X04:A Type
- (3) SRB:Female DIP Right Angle Dual Deck
- (4) XX:Insulator Color
 Blank:White
 BK:Black
- (5) SXX>Contact Finish
 Blank:Gold Flash On Contact Area,Tin
 Plated On Solder Tails,Over Nickel
 S30:Gold Plated 30u" On Contact Area,Tin
 Plated On Solder Tails,Over Nickel
- (6) H:RoHS Compliant



Recommended P.C.B. Layout

No.	Description	Material	Remark	Q'ty
⑤	Shell-C	SPCC	Nickel Plated	1
④	Shell-B	Brass	Nickel Plated	1
③	Shell-A	C2680	Nickel Plated	1
②	Terminal	C5191		8
①	Housing	PBT		1

CATEGORY		APPROVED BY		UNLESS OTHERWISE SPECIFIED TOLERANCES ARE X. ±0.50 X.* ±2.0° .X ±0.20 .X* ±1.0° .XX ±0.10 .XX* ±0.5°
PART No. USB1X04SRB-XX-SXX-H		MEI		
DRAWING No. USB1X04SRB-XX-SXX-H		CHECKED BY HZF		
SCALE NONE		DRAWING BY CYP		
REV.	A2	UNIT mm		

NO.	REV.	REVISIONS	CHK	DATE
△A2		Modify Spec.	HZF	06/22/2016
△A1		Modify Spec.	HZF	04/20/2016
△A0		NEW RELEASE	HZF	03/24/2015