

# COAXIAL R.F. PCB TERMINATION ✓ ACTIVE

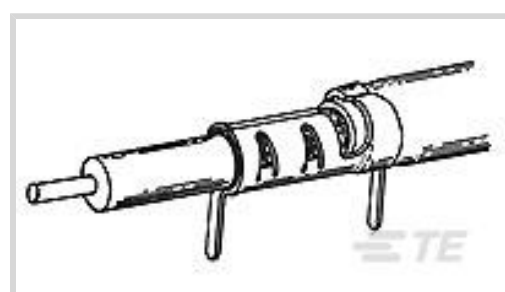
TE Part # 226176-4

TE Internal #: 226176-4

[View on TE.com >](#)



Connectors > RF & Coax Connectors > Coax Terminators



Cable Type: **Coaxial**

Sealable: **No**

Connector & Contact Terminates To: **Wire & Cable**

Circuit Application: **Signal**

## Features

### Product Type Features

Product Type	Terminal
Cable Type	Coaxial
Sealable	No
Connector & Contact Terminates To	Wire & Cable

### Body Features

Body Insulation	Without
Body Material	Brass
Body Plating Material	Tin-Lead

### Contact Features

RF Connector Center Contact Plating Material	Tin
Crimp Type	Braid Termination
RF Connector Center Contact Material	Brass

### Termination Features

Connection Type	Permanent
-----------------	-----------

### Operation/Application

Circuit Application	Signal
---------------------	--------

### Packaging Features

Packaging Method	Loose Piece
------------------	-------------

### Other

Comment	Loose form parts with preformed tabs.
---------	---------------------------------------



## Product Compliance

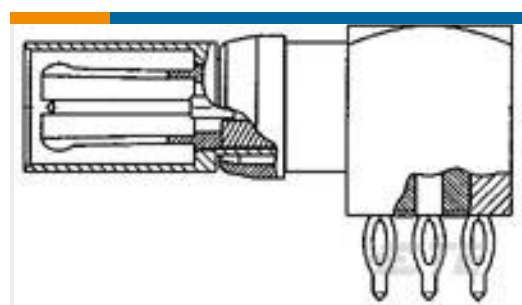
[For compliance documentation, visit the product page on TE.com>](#)

EU RoHS Directive 2011/65/EU	Not Compliant
EU ELV Directive 2000/53/EC	Not Compliant
China RoHS 2 Directive MIIT Order No 32, 2016	Restricted Materials Above Threshold
EU REACH Regulation (EC) No. 1907/2006	Current ECHA Candidate List: JAN 2019 (197) Candidate List Declared Against: JAN 2019 (197)
Halogen Content	Low Halogen - Br, Cl, F, I < 900 ppm per homogenous material. Also BFR/CFR/PVC Free
Solder Process Capability	Not reviewed for solder process capability

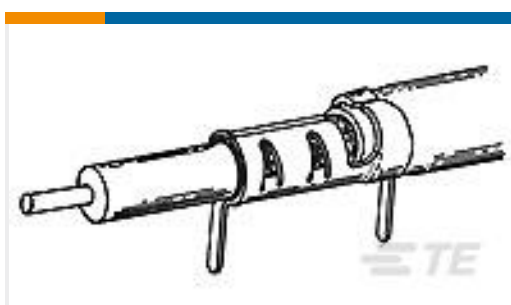
### Product Compliance Disclaimer

This information is provided based on reasonable inquiry of our suppliers and represents our current actual knowledge based on the information they provided. This information is subject to change. The part numbers that TE has identified as EU RoHS compliant have a maximum concentration of 0.1% by weight in homogenous materials for lead, hexavalent chromium, mercury, PBB, PBDE, DBP, BBP, DEHP, DIBP, and 0.01% for cadmium, or qualify for an exemption to these limits as defined in the Annexes of Directive 2011/65/EU (RoHS2). Finished electrical and electronic equipment products will be CE marked as required by Directive 2011/65/EU. Components may not be CE marked. Additionally, the part numbers that TE has identified as EU ELV compliant have a maximum concentration of 0.1% by weight in homogenous materials for lead, hexavalent chromium, and mercury, and 0.01% for cadmium, or qualify for an exemption to these limits as defined in the Annexes of Directive 2000/53/EC (ELV). Regarding the REACH Regulations, TE's information on SVHC in articles for this part number is still based on the European Chemical Agency (ECHA) 'Guidance on requirements for substances in articles' (Version: 2, April 2011), applying the 0.1% weight on weight concentration threshold at the finished product level. TE is aware of the European Court of Justice ruling of September 10th, 2015 also known as O5A (Once An Article Always An Article) stating that, in case of 'complex object', the threshold for a SVHC must be applied to both the product as a whole and simultaneously to each of the articles forming part of its composition. TE has evaluated this ruling based on the new ECHA "Guidance on requirements for substances in articles" (June 2017, version 4.0) and will be updating its statements accordingly.

## Customers Also Bought



TE Part #148386-1  
TYPE C, PIN ASSY. RTANG,  
RF



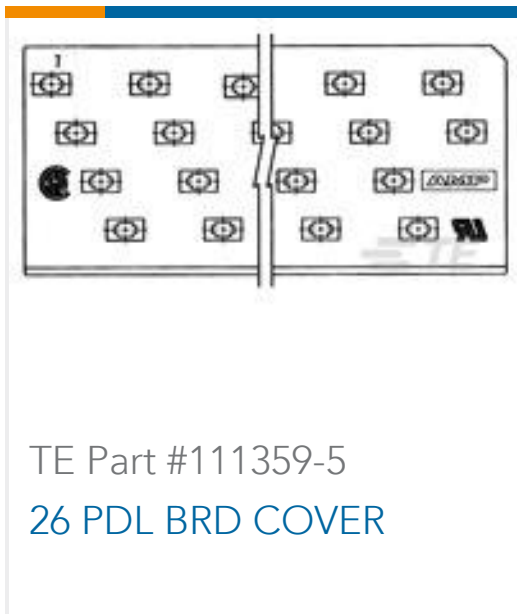
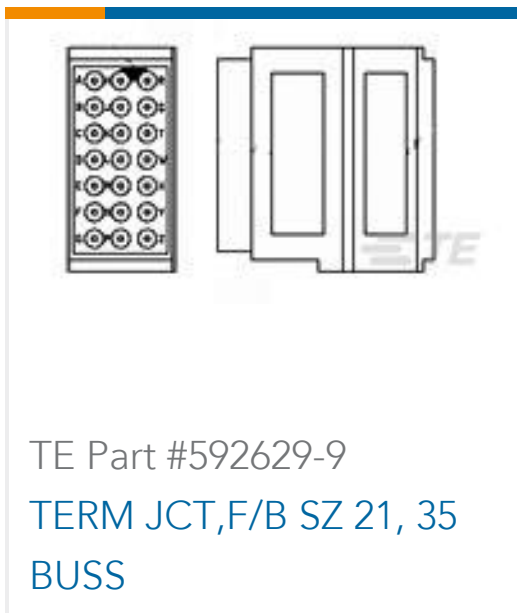
TE Part #9-226176-2  
BRAID PIC TERMINAL, LF  
PLTG



TE Part #1-103327-6  
16 MODII HDR SRST B/A .  
100CL



TE Part #1060904-1  
MCX R/A PLUG CRIMP  
5837 5010 10



## Documents

### Product Drawings

[COAXIAL R.F. PCB TERMINATION](#)

English

### CAD Files

Customer View Model

[ENG\\_CVM\\_226176-4\\_N.3d\\_igs.zip](#)

English

Customer View Model

[ENG\\_CVM\\_226176-4\\_N.3d\\_stp.zip](#)

English

Customer View Model

[ENG\\_CVM\\_226176-4\\_N.2d\\_dxf.zip](#)

English

### 3D PDF

English

### Product Environmental Compliance

[REACH Substance Communication Document](#)

English

### Instruction Sheets

[Instruction Sheet \(U.S.\)](#)

English

[AMP\\* BRAID-PIC TERMINALS FOR PRINTED CIRCUIT BOARD APPLICATIONS](#)

English