

VDSL Micro-Filter DT60-1013A-R1

Features:

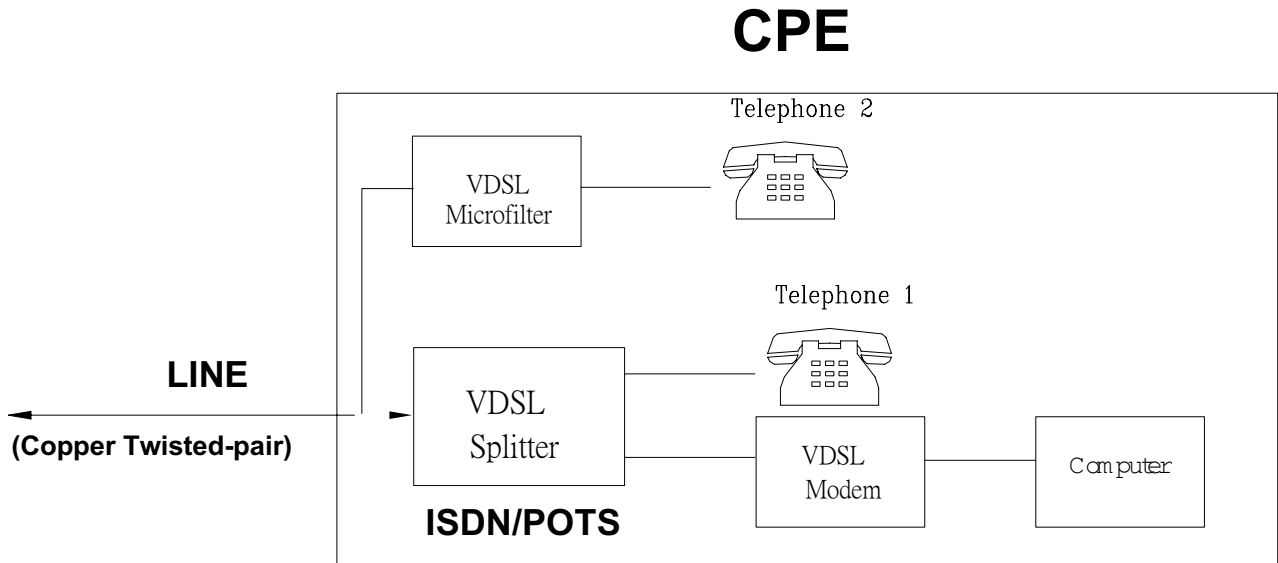
- Design Meet UL1950, UL94V-0
- Using connector RJ-11 for one line.
- Operating temperature range -10°C to +55 °C.
- Designed for implementation of VDSL CPE application.
- Provides excellent isolation between VDSL and ISDN or POTS.
- Matched to Infineon technologies VDSL solution.
- VDSL Frequency band 900K Hz to 8M Hz.

Description:

This document contains the requirements for VDSL Filter Recommendations. The POTS/ISDN splitter on the CPE side is a low pass filter, which separates the POTS/ISDN services from the VDSL bands. The VDSL Filter separates the VDSL frequency range. Target is to suppress outland noise. Protection from the high-frequency transients and voiceband service, the LPF provide protection from VDSL signals, which may impact through non-linear or other effects, remote devices (handset, fax, voiceband, modem, etc.) and central office operation.

VDSL Micro-Filter DT60-1013A-R1

Block Diagram



This shows a typical VDSL splitter application.

Electrical Characteristics:

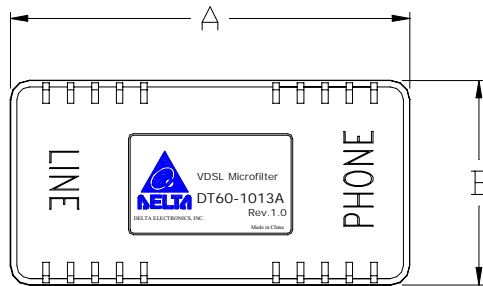
The table shows the entire electrical requirement for the filter

ELECTRICAL CHARACTERISTICS	
ATTENUATION	70dB Min. @800KHz ~ 7.9MHz
PASSBAND FREQUENCY	20KHz ~ 120KHz @100mAdc
O/P IMPEDANCE	150 Ω
I/P IMPEDANCE	150 Ω
INSERTION LOSS	1.0dB Max. @20KHz ~ 120KHz
ISOLATION RESISTION	5M Ω Min. @TIP TO RING
RETURN LOSS	20dB Min.

VDSL Micro-Filter DT60-1013A-R1

Mechanical Requirements

The filter dimension shows bellow.



UNIT: mm

$$A = 78.00 \pm 0.50$$

$$B = 31.60 \pm 0.50$$

$$C = 22.00 \pm 0.50$$

