

ADSL-Transformer WSL-A12.320

Specifications



Application

CPE, Motorola MC03AX1456RT Rev. 1.3 Chipset

Safety Agency

UL1459

Features

Optimized magnetic shielding for low interference
High performance, high quality design
SMT and THT package available

Packaging

100 pcs./tray
7 trays/carton

Solderability

270 - 300°C


Isolation voltage

1500 VAC

Operation Temperature Range

-40°C to +85°C

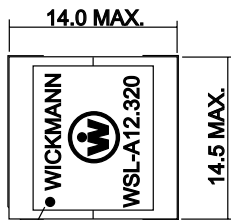
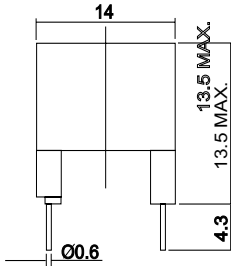
Marking

 article-no.

Unit Weight

7g

Schematics & Mechanicals (mm)



BLACK DOT IS PIN NO.1

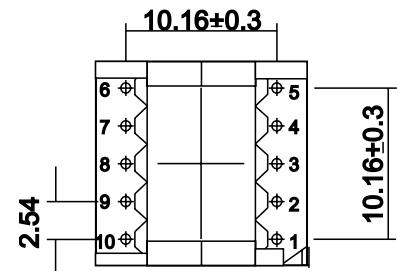
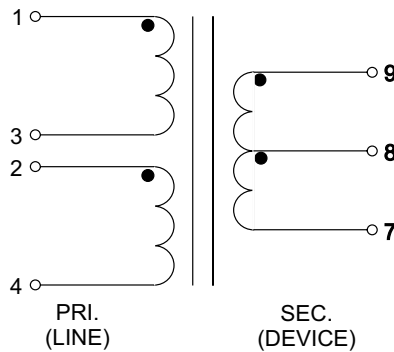
WebLinks

Data Sheet

www.wickmann.com/products/WSL_A12320.pdf

Packaging

www.wickmann.com/pack



DC Resistance	2,0 Ω (1-3) max. ±10% 2,0 Ω (2-4) max. ±10% 7,4 Ω (9-7) max. ±10%
Open Circuit Inductance	4 mH ±10% @ 10kHz, 100mVAC on series, (1-4), short (2+3) 13 mH ±10% @ 10kHz, 100mVAC (9-7)
Turns Ratio	1:1,8 ±1,5% (1-4):(9-7) 1:1 ±1% (1-3):(2-4)
Leakage Inductance	18,0μH max. 100kHz, 100mVAC (1-4), short (2+3, 7+9)
Logitudinal Balance	40 dB max. @ 20kHz – 1,1MHz, ITU method (L->M), 9-GND
Interwinding Capacity	40 pF max. @ 10kHz, 1VAC, (1-9), short (2+3)
Reflects 100W @ R _L	324 Ω load on sec. @ 10kHz, 1VAC
Insertion Loss	-
Total Harmonic Distortion	-

Order Information

Qty.	Order Number
	960 4 612320 9