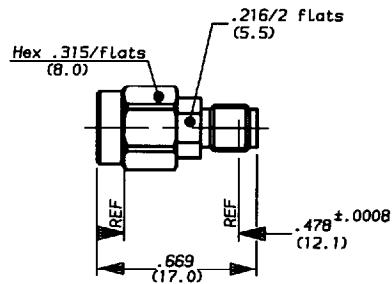


SMA

BETWEEN SERIES ADAPTERS, SMA to SSMA / SSMB

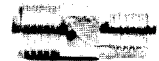
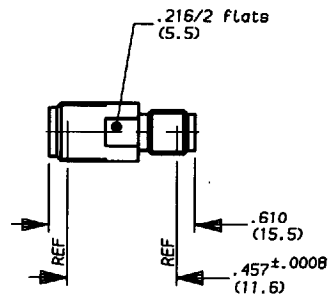
SMA plug to SSMA jack

PART NUMBER	R 191 347 000
Frequency range	DC – 18 GHz
V.S.W.R.	1.06 + 0.015F(GHz)



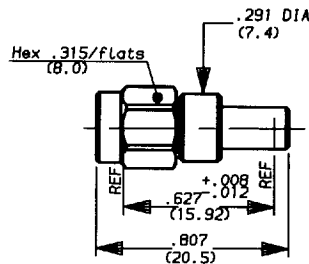
SMA jack to SSMA jack

PART NUMBER	R 191 349 000
Frequency range	DC – 18 GHz
V.S.W.R.	1.06 + 0.01F(GHz)



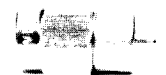
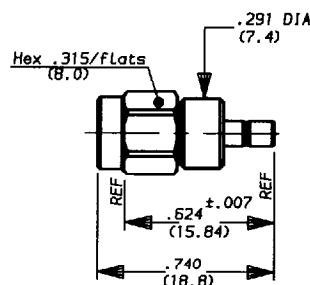
SMA plug to SSMB plug

PART NUMBER	R 191 374 000
Frequency range	DC – 4 GHz
V.S.W.R.	1.25 + 0.04F(GHz)



SMA plug to SSMB jack

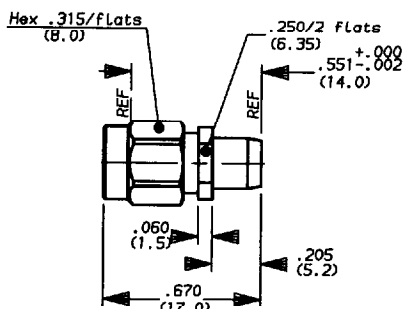
PART NUMBER	R 191 376 000
Frequency range	DC – 4 GHz
V.S.W.R.	1.25 + 0.04F(GHz)



SMA

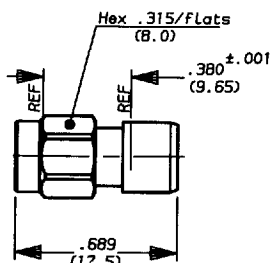
BETWEEN SERIES ADAPTERS, SMA to BMA

SMA plug to BMA plug



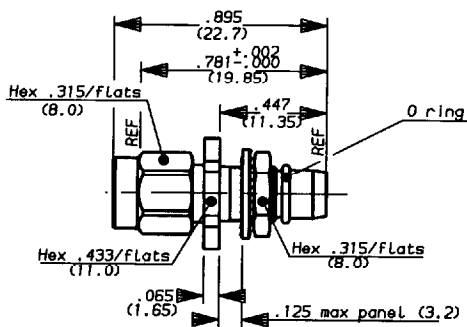
PART NUMBER	R 191 350 001
Frequency range	DC – 18 GHz
V.S.W.R.	1.05 + 0.005F(GHz)

SMA plug to BMA jack



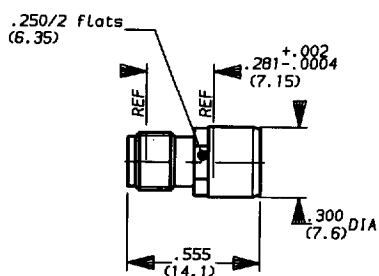
PART NUMBER	R 191 351 001
Frequency range	DC – 18 GHz
V.S.W.R.	1.05 + 0.007F(GHz)

SMA plug to BMA plug bulkhead feedthrough



PART NUMBER	R 191 354 001
Frequency range	DC – 18 GHz
V.S.W.R.	1.05 + 0.005F(GHz)

SMA jack to BMA jack



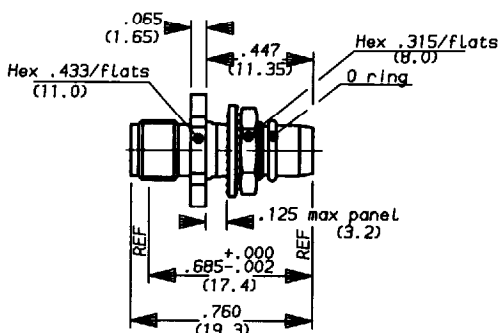
PART NUMBER	R 191 353 001
Frequency range	DC – 18 GHz
V.S.W.R.	1.05 + 0.007F(GHz)

SMA

BETWEEN SERIES ADAPTERS, SMA to BMA / BNC / TNC

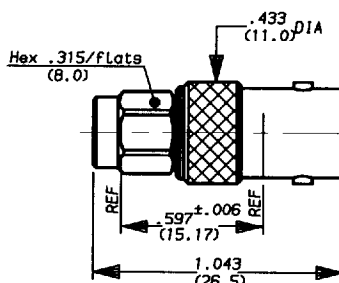
SMA jack to BMA plug bulkhead feedthrough

PART NUMBER	R 191 355 001
Frequency range	DC – 18 GHz
V.S.W.R.	1.05 + 0.005F(GHz)



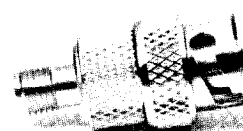
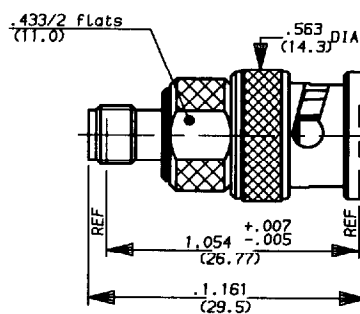
SMA plug to BNC jack

PART NUMBER	R 191 303 000
Frequency range	DC – 4 GHz
V.S.W.R.	1.05 + 0.05F(GHz)



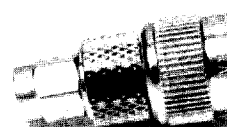
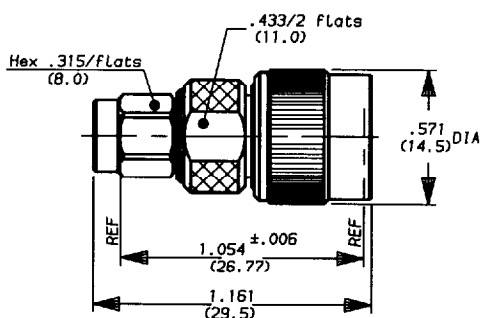
SMA jack to BNC plug

PART NUMBER	R 191 305 000
Frequency range	DC – 4 GHz
V.S.W.R.	1.05 + 0.05F(GHz)



SMA plug to TNC plug

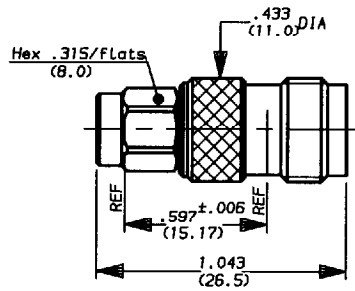
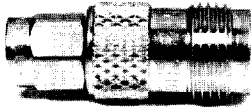
PART NUMBER	R 191 309 000
Frequency range	DC – 11 GHz
V.S.W.R.	1.22 Max.



SMA

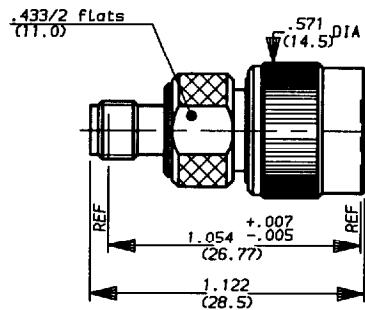
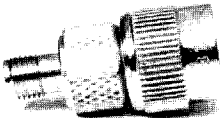
BETWEEN SERIES ADAPTERS, SMA to TNC

SMA plug to TNC jack



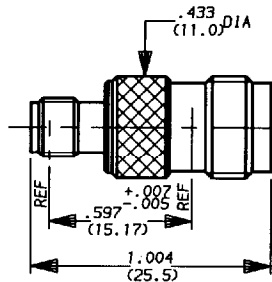
PART NUMBER	R 191 311 000
Frequency range	DC – 11 GHz
V.S.W.R.	1.22 Max.

SMA jack to TNC plug



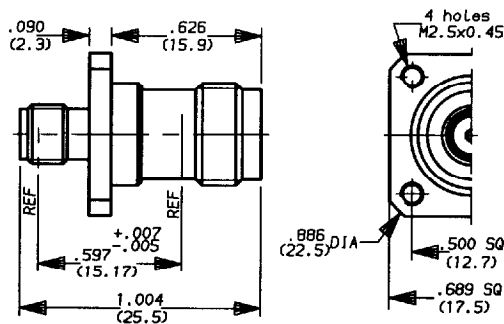
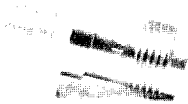
PART NUMBER	R 191 313 000
Frequency range	DC – 11 GHz
V.S.W.R.	1.22 Max.

SMA jack to TNC jack



PART NUMBER	R 191 315 000
Frequency range	DC – 11 GHz
V.S.W.R.	1.22 Max.

SMA jack to TNC jack square flange



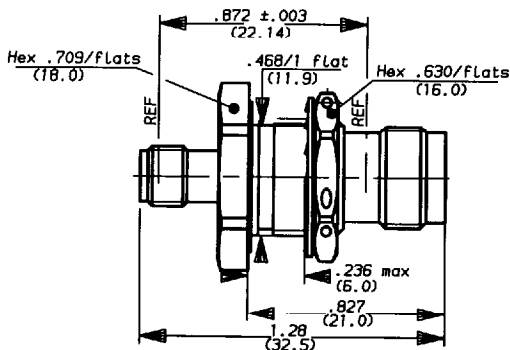
PART NUMBER	R 191 365 000
Frequency range	DC – 11 GHz
V.S.W.R.	1.22 Max.

SMA

BETWEEN SERIES ADAPTERS, SMA to TNC / N

SMA / SMA 3.5 jack to TNC 18 GHz jack

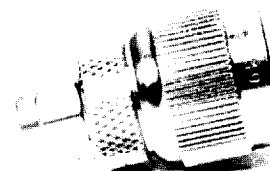
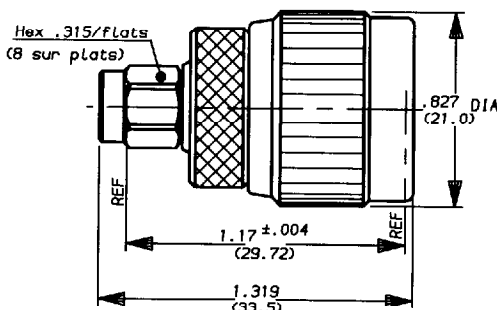
PART NUMBER	R 191 314 700	R 191 316 700
Frequency range	DC – 18 GHz	
V.S.W.R.	1.50 Max.	1.06 + 0.01F(GHz)
Inner seal	YES	NO
Connector	SMA	SMA 3.5*



* SMA3.5 (Air interface) mates with SMA

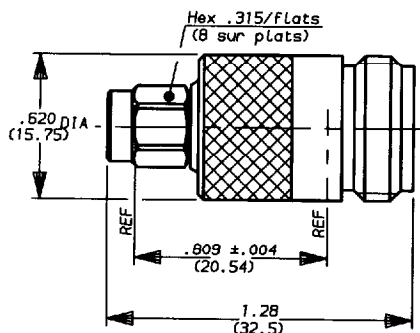
SMA plug to N plug

PART NUMBER	R 191 325 000
Frequency range	DC – 11 GHz
V.S.W.R.	1.06 + 0.005F(GHz)



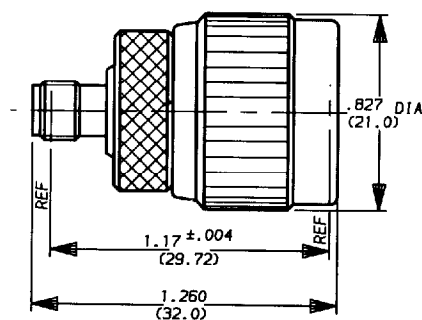
SMA plug to N jack

PART NUMBER	R 191 327 000
Frequency range	DC – 11 GHz
V.S.W.R.	1.06 + 0.010F(GHz)



SMA jack to N plug

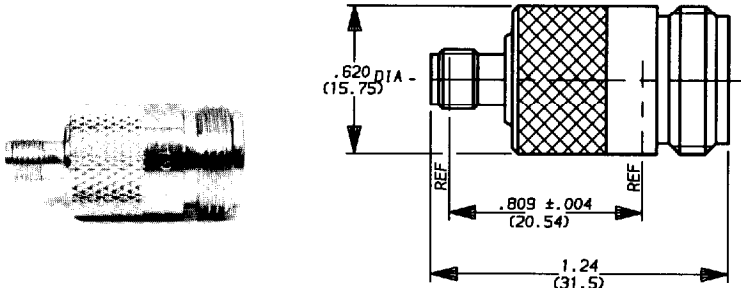
PART NUMBER	R 191 329 000
Frequency range	DC – 11 GHz
V.S.W.R.	1.06 + 0.005F(GHz)



SMA

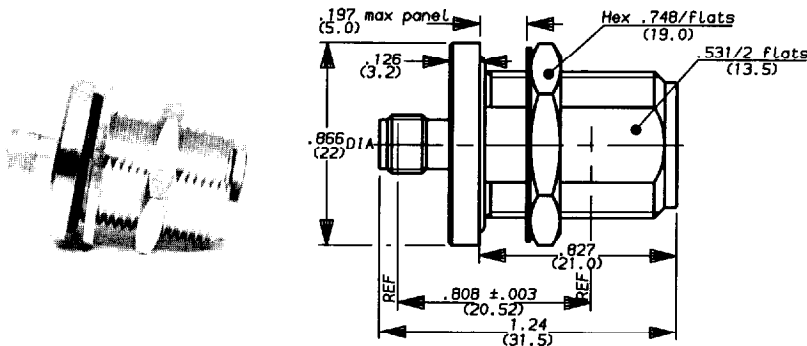
BETWEEN SERIES ADAPTERS, SMA to TNC / N

SMA jack to N jack



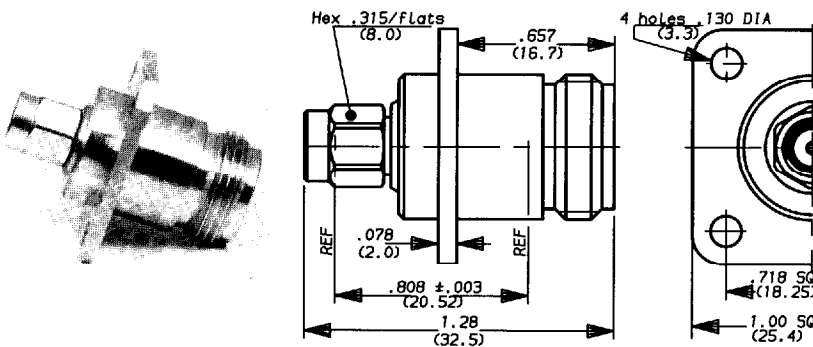
PART NUMBER	R 191 331 000
Frequency range	DC – 11 GHz
V.S.W.R.	1.06 + 0.01F(GHz)

SMA jack to N jack bulkhead feedthrough



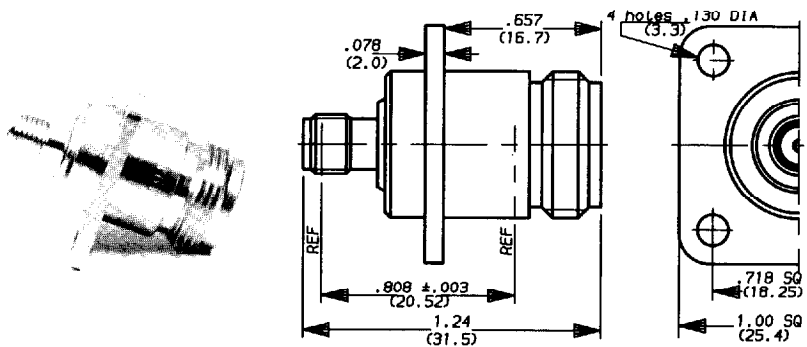
PART NUMBER	R 191 332 000	R 191 334 000
Inner seal (glass bead)	NO	YES
Frequency range	DC – 11 GHz	
V.S.W.R.	1.06 + 0.01F(GHz)	

SMA plug to N jack square flange



PART NUMBER	R 191 377 000
Frequency range	DC – 11 GHz
V.S.W.R.	1.06 + 0.01F(GHz)

SMA jack to N jack square flange



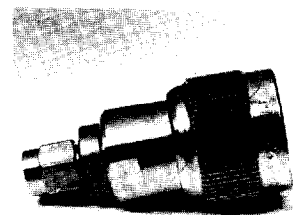
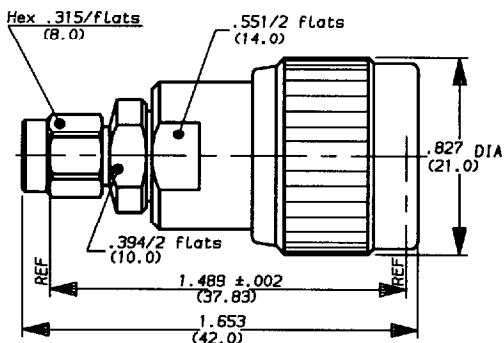
PART NUMBER	R 191 381 000
Frequency range	DC – 11 GHz
V.S.W.R.	1.06 + 0.01F(GHz)

SMA

BETWEEN SERIES ADAPTERS, SMA to N

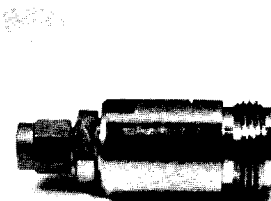
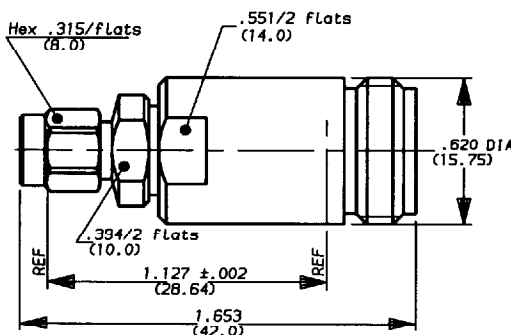
SMA 3.5 plug to N plug

PART NUMBER	R 191 324 000
Frequency range	DC – 18 GHz
V.S.W.R.	1.03 + 0.005F(GHz)



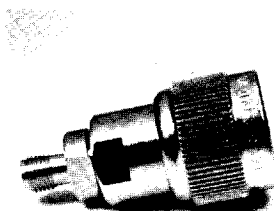
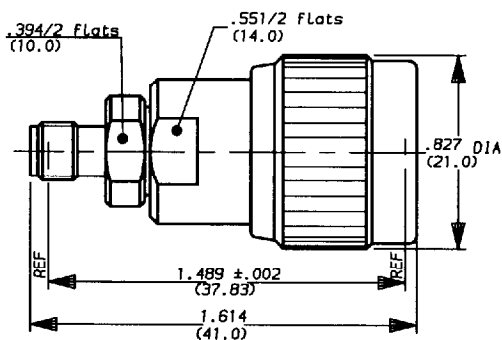
SMA 3.5 plug to N jack

PART NUMBER	R 191 326 000
Frequency range	DC – 18 GHz
V.S.W.R.	1.03 + 0.005F(GHz)



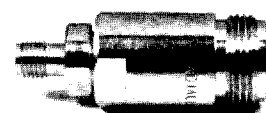
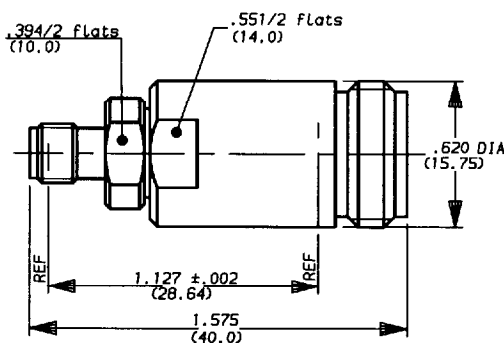
SMA 3.5 jack to N plug

PART NUMBER	R 191 328 000
Frequency range	DC – 18 GHz
V.S.W.R.	1.03 + 0.005F(GHz)



SMA 3.5 jack to N jack

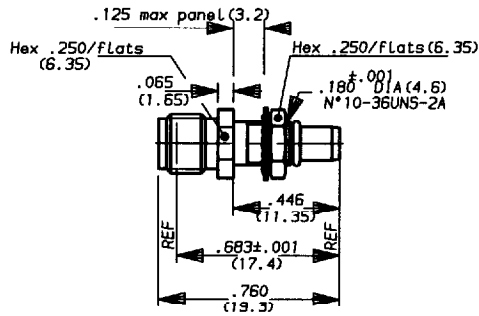
PART NUMBER	R 191 330 000
Frequency range	DC – 18 GHz
V.S.W.R.	1.03 + 0.005F(GHz)



SMA

BETWEEN SERIES ADAPTERS, SMA to SBMA

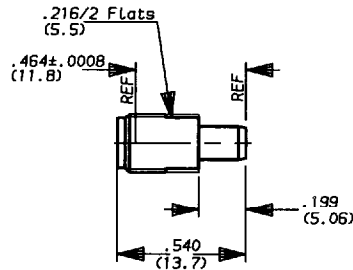
SMA jack to SBMA plug bulkhead feedthrough



PART NUMBER	R 191 362 121 •
Frequency range	DC – 18GHz
V.S.W.R.	1.05 + 0.01F(GHz)

•Manufactured upon request

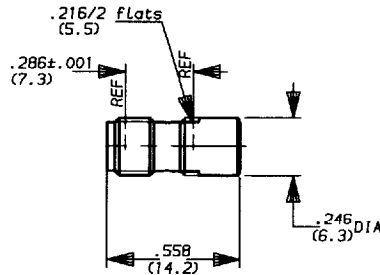
SMA jack to SBMA plug



PART NUMBER	R 191 362 001 •
Frequency range	DC – 18 GHz
V.S.W.R.	1.05 + 0.01F(GHz)

•Manufactured upon request

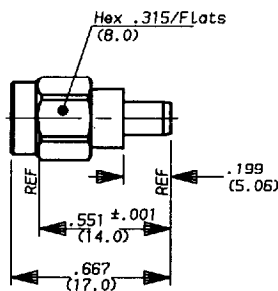
SMA jack to SBMA jack



PART NUMBER	R 191 363 001 •
Frequency range	DC – 18 GHz
V.S.W.R.	1.05 + 0.01F(GHz)

•Manufactured upon request

SMA plug to SBMA plug



PART NUMBER	R 191 360 001 •
Frequency range	DC – 18 GHz
V.S.W.R.	1.05 + 0.01F(GHz)

•Manufactured upon request

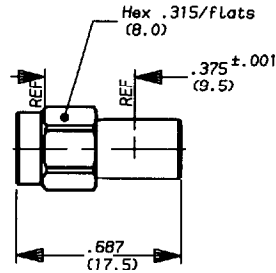
SMA

BETWEEN SERIES ADAPTERS, SMA to SBMA

SMA plug to SBMA jack

PART NUMBER	R 191 361 001*
Frequency range	DC – 18 GHz
V.S.W.R.	1.05 + 0.01F(GHz)

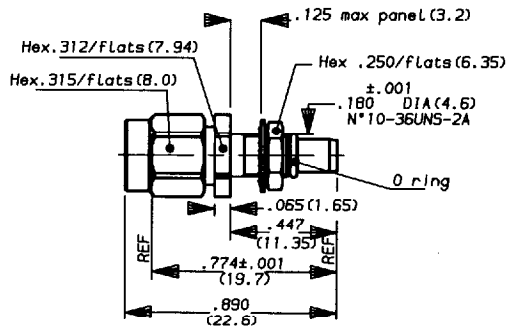
*Manufactured upon request



SMA plug to SBMA plug bulkhead feedthrough

PART NUMBER	R 191 360 121*
Frequency range	DC – 18 GHz
V.S.W.R.	1.05 + 0.01F(GHz)

*Manufactured upon request



RADIALL - SMA 2.9 Series DC - 46 GHz

