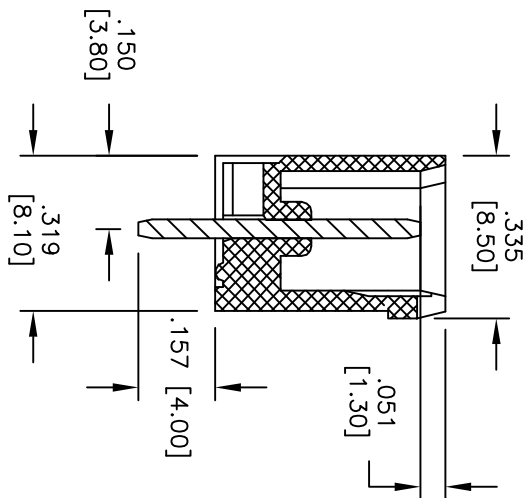
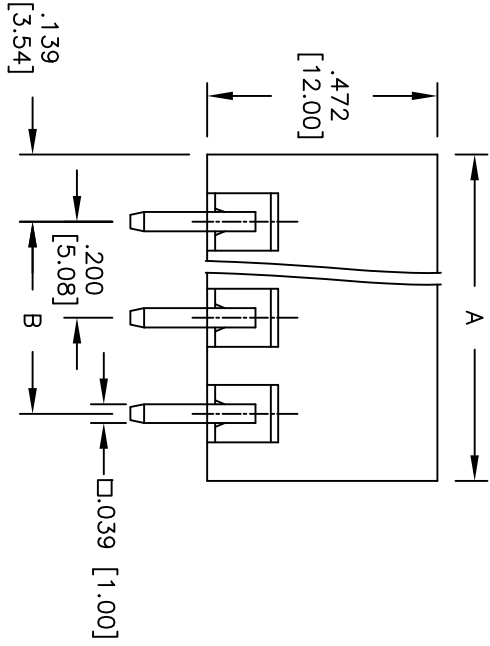
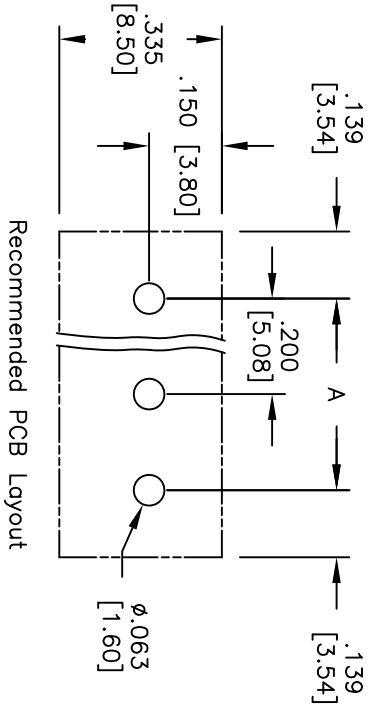
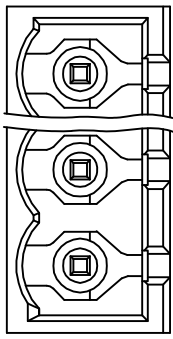


Rev	AWO #	Description	Date	Appr
-		RELEASED	2/24/11	

APPROVED: _____
 DATE: _____ TITLE: _____



	Dim A	Dim B
2-6P	±.006 [0.15]	±.006 [0.15]
7-12P	±.008 [0.20]	±.008 [0.20]
13-18P	±.012 [0.30]	±.012 [0.30]
19-24P	±.016 [0.40]	±.016 [0.40]

Positions: 02 thru 24
 A = .200 [5.08] x No. of Positions + .079 [2.00]
 B = .200 [5.08] x No. of Spaces

SPECIFICATIONS:

Material:
 Insulator: Thermoplastic, rated UL 94V-0
 Insulator color: Green
 Contact: Copper Alloy, Tin plated.

Electrical:
 Operation voltage: 300 VAC max
 Current rating: 20 Amps max per Pole
 Dielectric withstanding voltage: 1600 VAC for 1 minute

Environmental:
 Operating temperature: -40°C to +115°C
 Lead free, RoHS compliant.
 Recommended soldering temp: 235°C for 5 sec.



UNLESS OTHERWISE SPECIFIED
 ALL DIMENSIONS ARE MM [INCHES]
 TOLERANCES: EXCEPT AS NOTED
 INCHES

.X	±.10	ØX	±.10
.XX	±.020	ØXX	±.015
.XXX	±.015	ØXXX	±.010

APPROVALS

DRAWN	AY	DATE	2/24/11
CHECKED	VW	DATE	2/24/11
APPROVED		DATE	

ADAM TECH
 909 Rahway Avenue, Union, NJ 07083
 Phone: 908-687-5000 Fax: 908-687-5710

TITLE: **TERMINAL BLOCK SOCKETS FOR PLUGGABLE, VERTICAL, .200 [5.08] PITCH**

SIZE: X PART NO.: EBP-XX-C-D
 REF: S00007T SCALE: NTS SHEET 1 OF 1