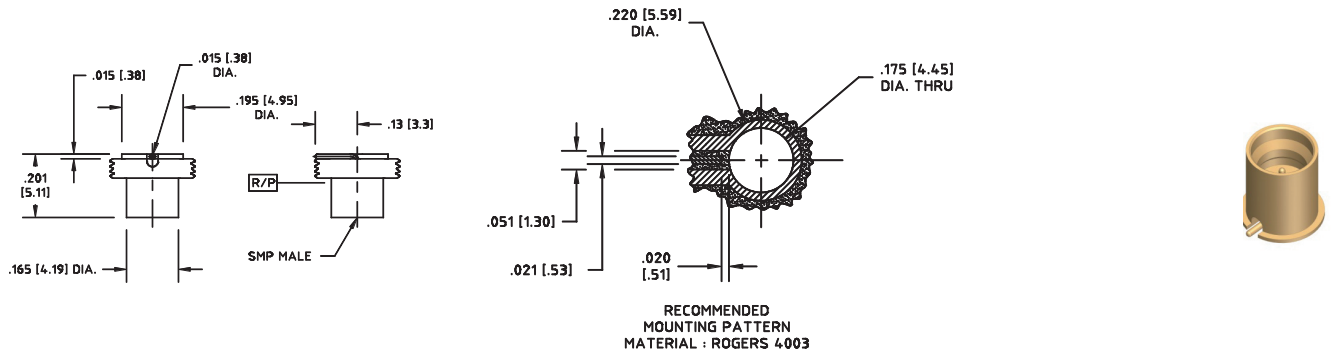


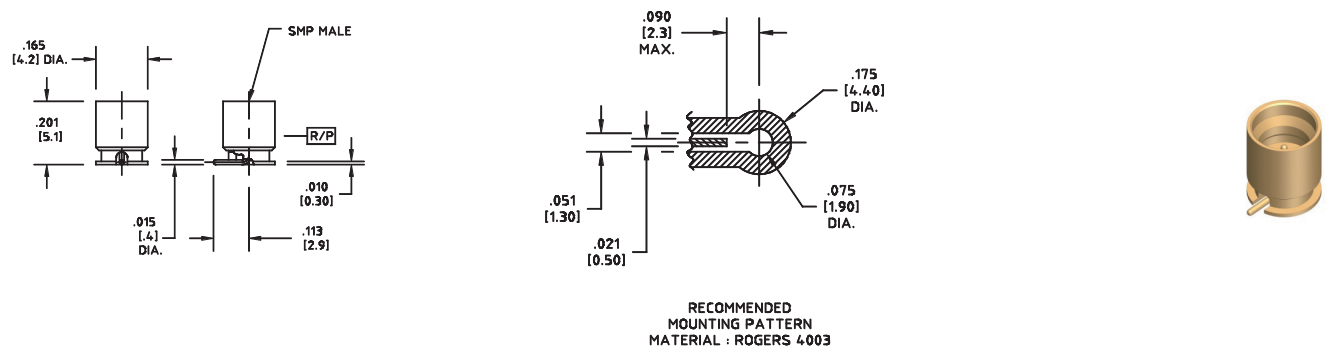
# SMP – PCB mount connectors

## SMP male connector



Detent	Part no.
Full	29474-RM2
Limited	29474-RM3
Smooth bore	29474-RM4
Catchers mitt	29474-RM5

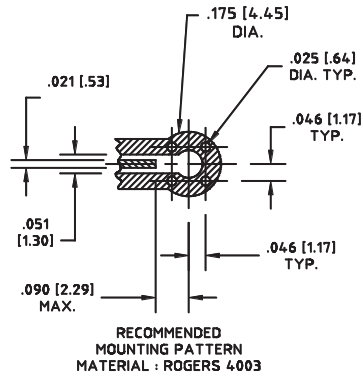
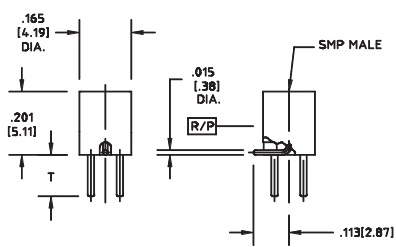
## SMP male connector



Detent	Part no.
Full	29474-SM1-2
Limited	29474-SM1-3
Smooth bore	29474-SM1-4
Catchers mitt	29474-SM1-5

# SMP – PCB mount connectors

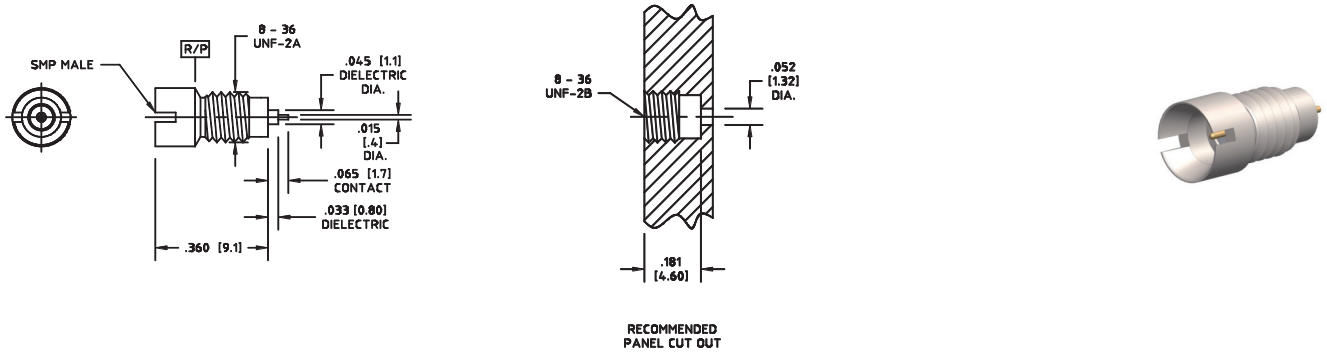
## SMP male connector



<b>Detent</b>	<b>Part no. «T» = 0.075 inches (1.91 mm)</b>
Full	29474-ST2S
Limited	29474-ST3S
Smooth bore	29474-ST4S
Catchers mitt	29474-ST5S
<b>Detent</b>	<b>Part no. «T» = 0.140 inches (3.56 mm)</b>
Full	29474-ST2
Limited	29474-ST3
Smooth bore	29474-ST4
Catchers mitt	29474-ST5
<b>Detent</b>	<b>Part no. «T» = 0.200 inches (5.08 mm)</b>
Full	29474-ST2L
Limited	29474-ST3L
Smooth bore	29474-ST4L
Catchers mitt	29474-ST5L

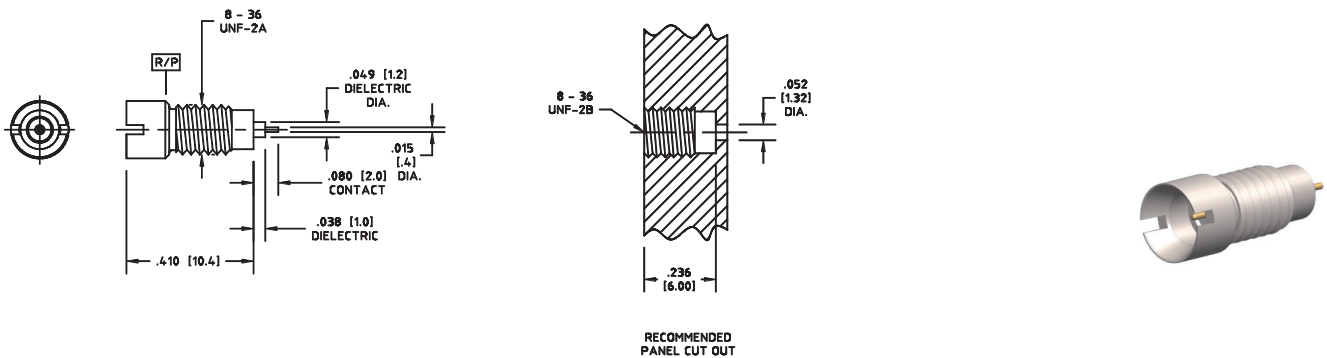
# SMP - panel mount connectors

## SMP male connector



Detent	Part no.
Catchers mitt	29474PMC-033-065

## SMP male connector



Detent	Part no.
Catchers mitt	29474PMC-038-080