

January, 2013

PRODUCT BULLETIN

**PH795DBR
795nm Series**

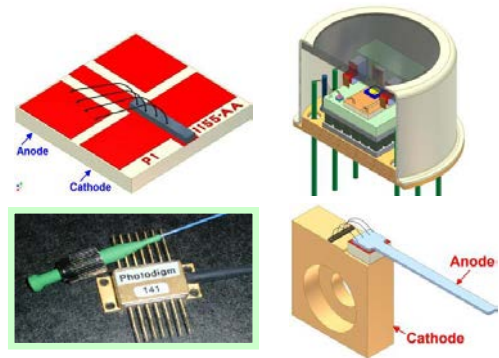
High-Power Single-Frequency Laser Diode

Technology

- DBR Single-Frequency Laser Chip
- AlGaAs QW Active Layer
- Epi designed for high reliability

Features

- Available in several package styles
- Pulsed operation for spectral stability at short pulse lengths
- High power for CW applications
- High Slope Efficiency



Description

The PH795DBR Series of high-power edge-emitting lasers are based on Photodigm's advanced single-frequency laser technology. It provides a diffraction limited, single lateral and longitudinal mode beam. Facets are passivated for high-power reliability. Applications include rubidium-based D1 applications.

Absolute Maximum Ratings

Parameter	Symbol	Unit	Min	Max
Storage Temperature	T _{STG}	°C	0	80
Operating Temperature	T _{OP}	°C	5.0	70
CW Laser Forward Current, T=T _{op}	I _F	mA	-	150**
Pulsed Laser Forward Current, T=25°C, PW=300 ns, DC=10%	I _F	A	-	0.3
Laser Reverse Voltage	V _R	V	-	0.0
Photodiode Forward Current <u>1/2/</u>	I _P	mA	-	5.0
Photodiode Reverse Voltage <u>1/2/</u>	V _R	V	-	20.0
Photodiode Dark Current, V _R =10V, LD I _F =0, <u>1/2/</u>	I _D	nA	-	50
TEC Current <u>1/2/</u>	I _{TEC}	A	-2.0	2.0
TEC Voltage <u>1/2/</u>	V _{TEC}	V	-6.0	6.0
Thermistor Current <u>1/2/</u>	I _{THRM}	mA	-	1.0
Thermistor Voltage <u>1/2/</u>	V _{THRM}	V	-	10
External Back Reflection	-	dB	-	-14
Lead Soldering Temperature, 10 sec. Max. <u>1/2/</u>	-	°C	-	260
Fiber Pull Force <u>1/</u>	-	N	-	5.0
Fiber Bend Radius <u>1/</u>	-	mm	-	35

1/ Butterfly package 2/ TO8 package ** Do not exceed drive current or operating power of supplied LIV.

January, 2013

PRODUCT BULLETIN

CW Characteristics at T_c = 25°C unless otherwise specified

Parameter	Symbol	Unit	Min	Typ	Max
Center Wavelength	λ_c	nm	793	795	797
Optical Output Power @ LIV current	P_o	mW	See Power Options Call-out		
Slope Efficiency, 1/	η_d	W/A	0.25	0.36	
Slope Efficiency	η_d	W/A	0.60	0.75	-
Threshold Current	I_{th}	mA	-	50	70
Laser Series Resistance	R_s	Ω	-	2.0	2.5
Laser Forward Voltage	V_F	V	-	2.0	2.5
Thermistor Resistance @ 25°C, 1/2/	R_T	K Ω	-	10	-
Photodiode Dark Current, V _R =10V, LD I _F =0, 1/2/	I_D	nA	-	-	50
Laser Line Width	$\Delta\nu$	MHz	-	1	-
Polarization Extinction Ratio, 1/	PER	dB	-16	-19	-
Beam Divergence @ FWHM	$\theta_{ } \times \theta_{\perp}$	°	-	6 X 26	8 X 28
Side Mode Suppression Ratio	SMSR	dB	-30	-	-
Laser Polarization				TE	
Mode Structure				Fundamental Mode	

1/ Butterfly package 2/ TO-8 package

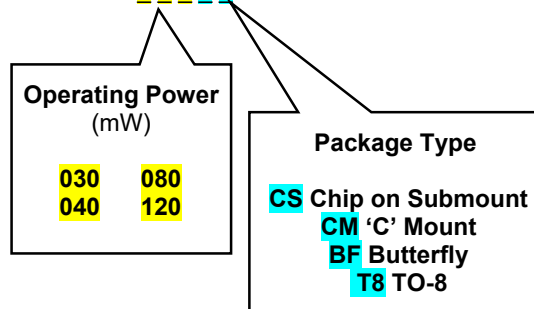
Handling Precautions

These devices are sensitive to ESD. When handling the module, grounded work area and wrist strap must be used. Always store in an antistatic container with all leads shorted together.

How To Order

Part number example: PH795DBR080CM. Assign optical power from those shown below. Use a three-digit format for all power entries. Call factory for special performance selection and certification to certain atomic absorption lines. Butterfly package offered and is not recommended for spectroscopy applications. See Photodigm's application note titled "Optical Feedback"

PH795DBR



Photodigm, Inc. reserves the right to make changes in design, specifications and other information at any time, and without prior notice. The information contained within the product bulletin is believed to be accurate. However, no responsibility is assumed for possible inaccuracy or omission. Any information contained herein shall legally bind Photodigm, Inc. only if it is specifically incorporated in the terms and conditions of a sales agreement.