

THIS DRAWING IS UNPUBLISHED.

RELEASED FOR PUBLICATION

AUG ,2006.

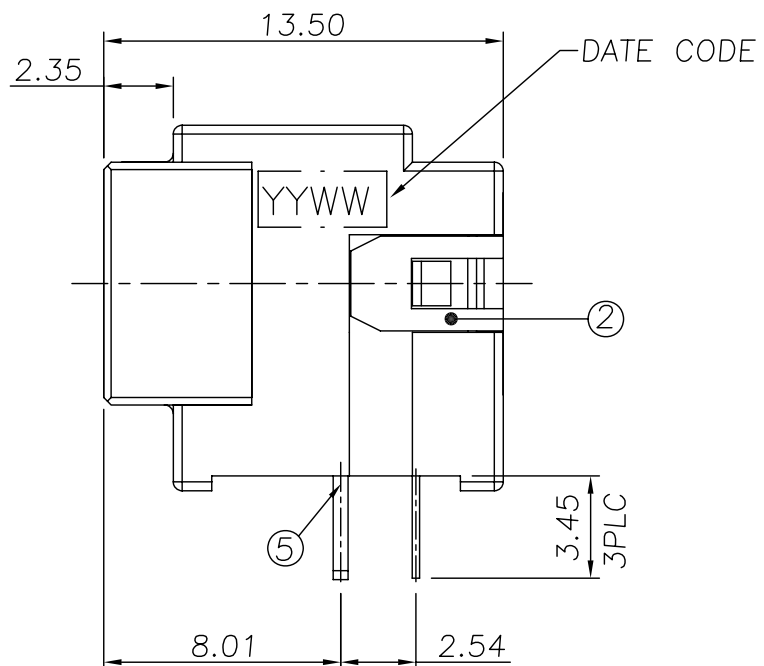
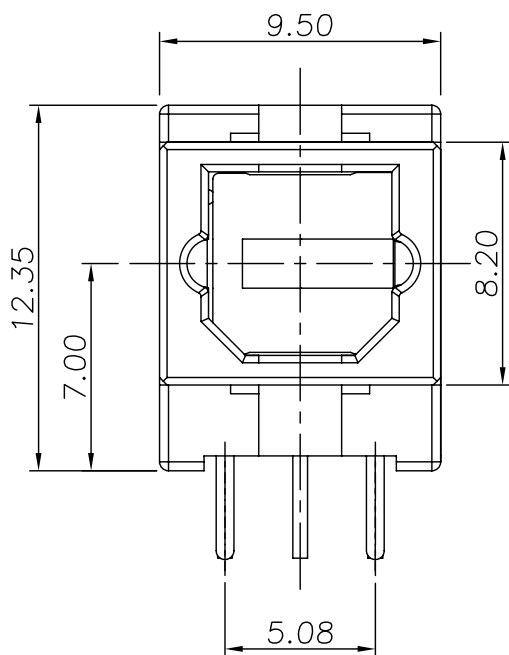
© COPYRIGHT BY TYCO ELECTRONICS CORPORATION. ALL RIGHTS RESERVED.

LOC DW

DIST

REVISIONS

P	LTR	DESCRIPTION	DATE	DWN	APVD
A		REVISED (ECR-08-011689)	08MAR08	SC	WK



NOTES:

1. MATERIAL:

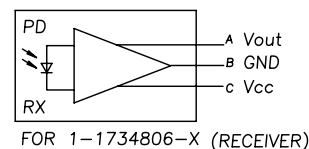
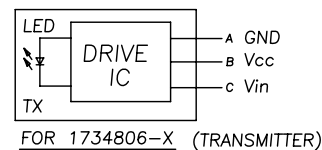
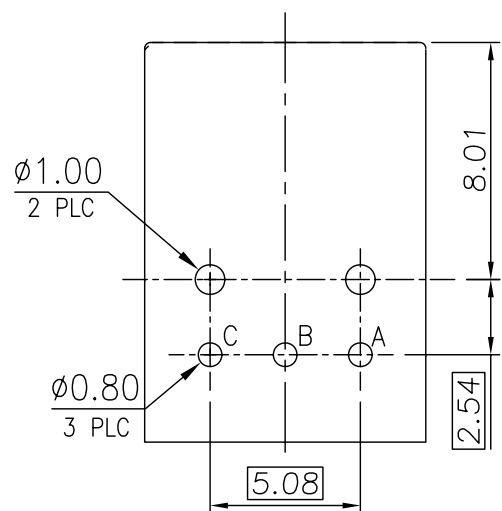
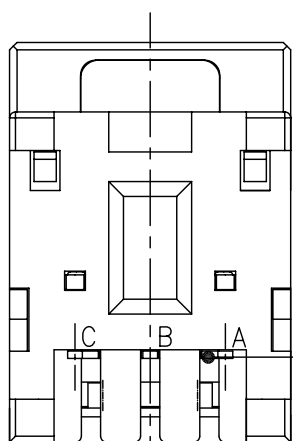
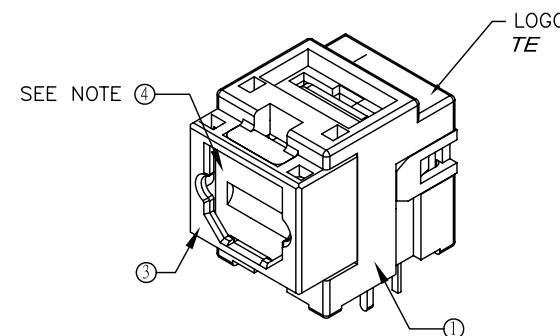
- ① HOUSING: THERMOPLASTIC(PA9T), UL94V-0, BLACK COLOR
- ② COVER: THERMOPLASTIC(PBT), UL94V-0, BLACK COLOR
- ③ FRAME: THERMOPLASTIC(PA66), UL94V-0, BLACK COLOR
- ④ GATE: THERMOPLASTIC(PA66), UL94V-0, COLOR: SEE TABLE
- ⑤ SUPPORT: BRASS
- ⑥ TX / RX UNIT
- ⑦ COIL SPRING: STAINLESS STEEL

2. FINISH:

- ⑤ SUPPORT: 1.27um[50u"] MIN. AG PLATING ON OVERALL, 1.27um[50u"] MIN. NICKEL UNDERPLATED OVERALL.

3. RECOMMENDED PCB THICKNESS: 1.6mm

- 4. WAVE SOLDER CAPABLE TO 265°C PER TE SPEC. 109-202, CONDITION B.



GATE COLOR	FUNCTION	PART NUMBER
LIME/577C	RECEIVER	1-1734806-3
BLACK	RECEIVER	1-1734806-2
PINK/701C	RECEIVER	1-1734806-1
PINK/701C	TRANSMITTER	1734806-3
BLACK	TRANSMITTER	1734806-2
LIME/577C	TRANSMITTER	1734806-1

RECOMMENDED PCB LAYOUT <<BOTTOM VIEW, TOLERANCE ±0.05>>

THIS DRAWING IS A CONTROLLED DOCUMENT.		DWN S. CHIEN 08MAR2008	Tyco Electronics Corporation Tyco Electronics Taipei, Taiwan	
DIMENSIONS: MM		CHK W. KODAMA 08MAR2008	NAME	
TOLERANCES UNLESS OTHERWISE SPECIFIED:		APVD W. KODAMA 08MAR2008	S/PDIF R/A CONNECTOR	
0 PLC ± -		PRODUCT SPEC	RESTRICTED TO	
1 PLC ± 0.3		108-57428	SIZE A3	CAGE CODE 00779
2 PLC ± 0.2		QUALIFICATION TEST REPORT	DRAWING NO C=1734806	REV A
3 PLC ± -		501-57487	SHEET 1 of 2	
4 PLC ± -		WEIGHT 1.95 GRAMS	SCALE -	
ANGLES ± 3'		CUSTOMER DRAWING	REV A	
MATERIAL SEE NOTE				
FINISH SEE NOTE				

THIS DRAWING IS UNPUBLISHED.

RELEASED FOR PUBLICATION

AUG ,2006.

© COPYRIGHT - BY TYCO ELECTRONICS CORPORATION. ALL RIGHTS RESERVED.

LOC
DW

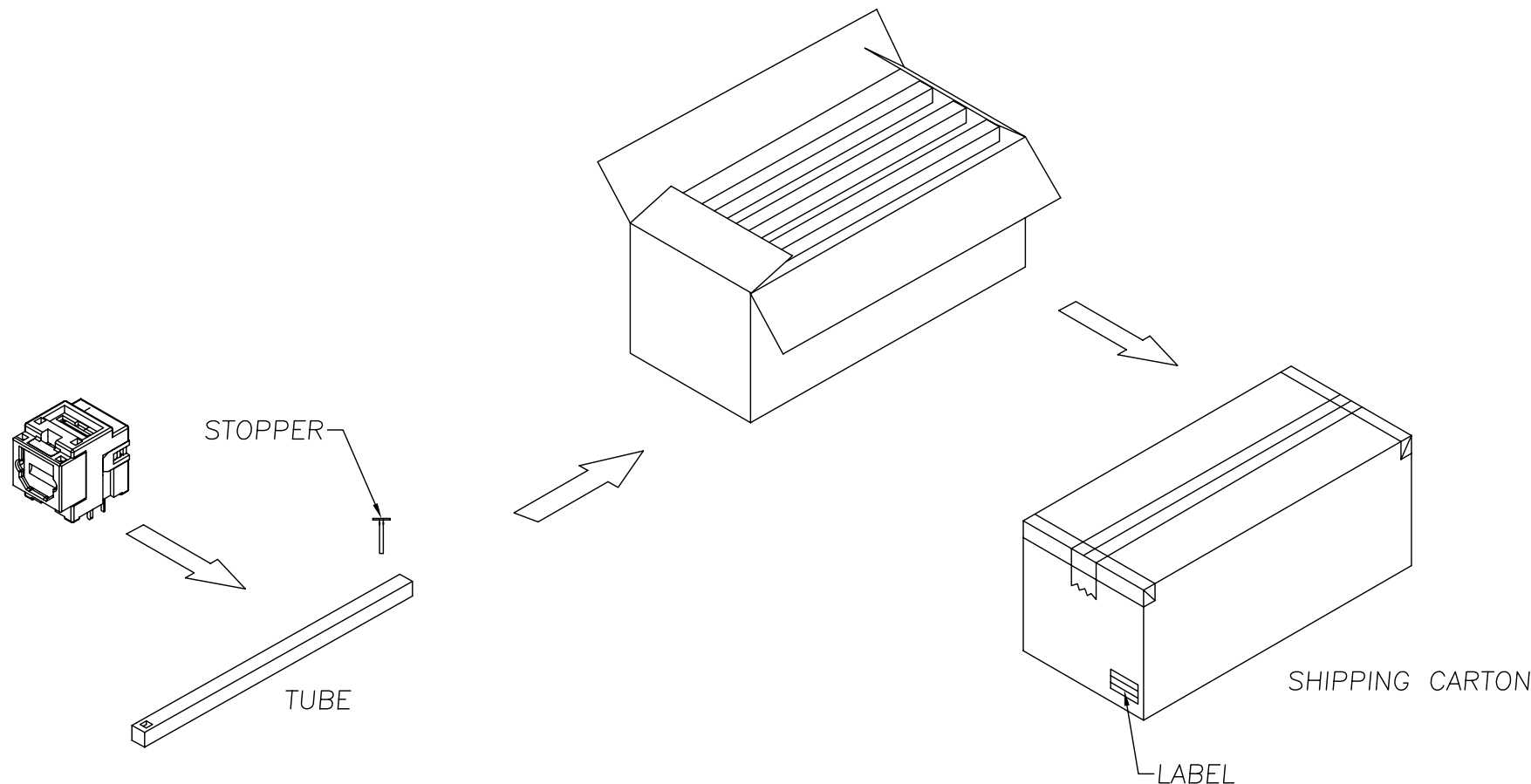
DIST

REVISIONS

P	LTR	DESCRIPTION	DATE	DWN	APVD
		SEE SHEET 1.			

NOTES:

- DIMENSION:
TUBE: L=620, W=15, H=18
SHIPPING CARTON: L=640, W=240, H=180
- QUANTITY:
60 PCS/TUBE
120 TUBES/SHIPPING CARTON
7200 PCS/SHIPPING CARTON
- CARTON WEIGHT:
NET WEIGHT: 14KG
GROSS WEIGHT: 15KG



THIS DRAWING IS A CONTROLLED DOCUMENT.		DWN		Tyco Electronics Corporation Taipei, Taiwan	
DIMENSIONS: MM		CHK		NAME	
TOLERANCES UNLESS OTHERWISE SPECIFIED:		APVD		S/PDIF R/A CONNECTOR	
0 PLC ± -		PRODUCT SPEC		SIZE	
1 PLC ± -		APPLICATION SPEC		CAGE CODE	
2 PLC ± -		WEIGHT		DRAWING NO	
3 PLC ± -		CUSTOMER DRAWING		RESTRICTED TO	
4 PLC ± -		SCALE		A3 00779 C=1734806	
ANGLES ± -		SHEET		2 of 2	
MATERIAL		REV		A	
FINISH					