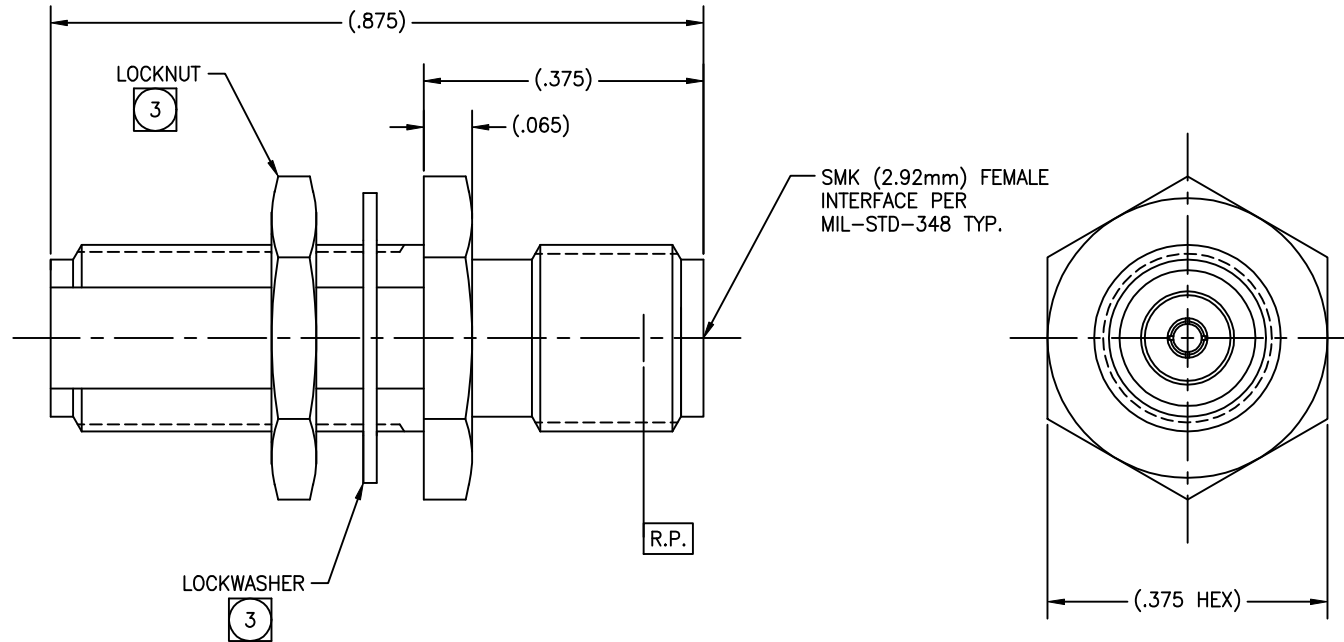


P/N	APPLICABLE NOTE(S)
CC	1,2,3
CCSF	1,2,3

ZONE		REV	REVISIONS	DESCRIPTION	DATE	BY
—	—	—	—	—	—	—



DRAWING NO.	226	REV.	—
-------------	-----	------	---

RECOMMENDED MOUNTING HOLE

NOTES(S):

1. MATERIAL(S):
 - 1.1 BODY, INSERT & LOCKNUT : 303 SST PER ASTM A-582.
 - 1.2 CENTER CONDUCTOR: BeCu ALLOY C173 PER ASTM B-196.
 - 1.3 LOCKWASHER: 410 SST PER ASTM B-139.
 - 1.4 BEAD: (HIGH PERFORMANCE APPLICATION)
2. FINISH(ES):
 - 2.1 BODY, LOCKNUT, LOCKWASHER & INSERT:
(FOR CCSF's) PASSIVATED PER ASTM A-967.
(FOR CC's) GOLD PLATE PER ASTM B-488 OVER NICKEL PLATE PER AMS-QQ-N-290.
 - 2.2 CENTER CONDUCTOR:
GOLD PLATE PER ASTM B-488
OVER NICKEL PLATE PER AMS-QQ-N-290.
 - 2.3 BEAD: NONE

3. LOCKNUT AND LOCKWASHER TO BE PACKAGED AND SHIPPED UNASSEMBLED.

NOTICE
THIS DRAWING EMBODIES A CONFIDENTIAL PROPRIETARY DESIGN ORIGINATED BY TENSOLITE COMPANY AND ALL DESIGN, MANUFACTURING, REPRODUCTION, USE AND SALE RIGHTS REGARDING THE SAME ARE EXPRESSLY RESERVED. IT IS SUBMITTED UNDER A CONFIDENTIAL RELATIONSHIP FOR A SPECIFIC PURPOSE AND THE RECIPIENT AGREES BY ACCEPTING THIS DRAWING NOT TO SUPPLY OR DISCLOSE ANY INFORMATION REGARDING IT TO ANY UNAUTHORIZED PERSON TO INCORPORATE IN OTHER PROJECTS ANY SPECIAL FEATURES RELIANT TO THIS DESIGN. ALL PATENT RIGHTS HERETO ARE EXPRESSLY RESERVED BY TENSOLITE COMPANY, LONG BEACH, CALIFORNIA 90815.

TOLERANCES AND NOTES EXCEPT AS NOTED
DIMENSIONS ARE IN INCHES.
LINEAR .001 ± 0.015
ANGULAR ± 1/2°
FRACTION ± 1/32

1. MACHINE FINISH: $\sqrt{32}$ RMS
2. BREAK ALL SHARP EDGES .003 MAX.
3. MACHINED FILLETS .005 MAX.
4. MACHINED SURFACES SQUARE TO RESPECTIVE AXIS WITHIN .005 INCHES PER INCH.
5. MACHINED DIAMETERS CONCENTRIC WITHIN .002 T.I.R.
6. DIMENSIONS TO BE MET BEFORE PLATING.
7. CHAMFER ALL THREADS 45°.
8. THREADS PER 11-28
9. REMOVE FRAVED EDGES ON TEFLON.
10. REMOVE ALL BURRS.

SEE NOTE(S)	—	SEE NOTE(S)	—
MATERIAL	SIZE	SPECIFICATION	PROCUREMENT
NEXT ASSY	Tensolite HIGH PERFORMANCE CABLES & INTERCONNECT SYSTEMS Long Beach, California 90815		
APPROVAL INITIALS	DATE	TITLE	
DRAWN BY R.C.	03.14.02	SMK (2.92mm) FEMALE TO FEMALE BULKHEAD STRAIGHT ADAPTER	
CHECKED		SCALE	SUB-DIRECTORY/FILENAME
QUALITY		8/1	OL
ENGINEERING	ATV 06.17.02	SIZE	CAGE CODE
		C 30990	DRAWING NO.
			226
			REV.
			—
			SHEET 1 OF 1