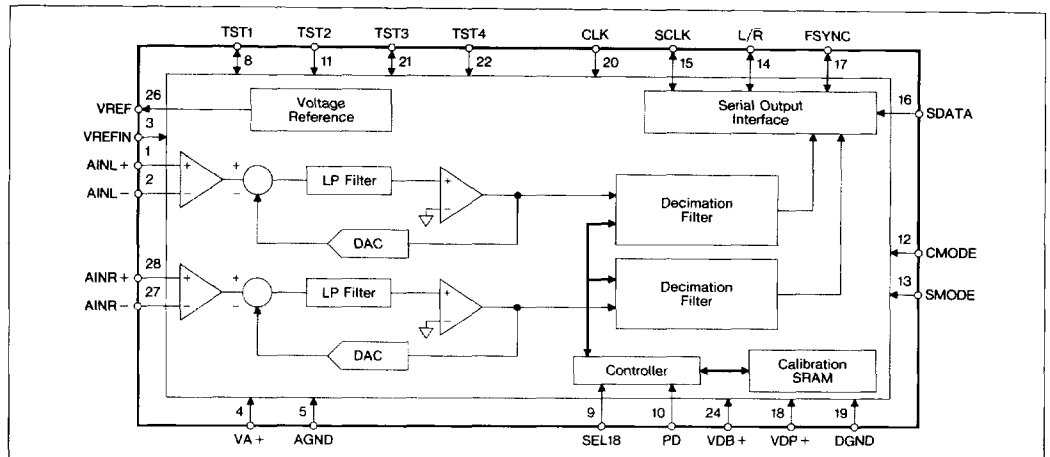


## AK5389

### 18bit ADC

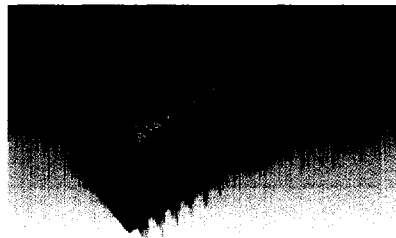
- ① Complete 18 bit 2ch A/D Converter
- ② 5th Order Delta-Sigma A/D Converter
- ③ On-chip Digital Anti-Alias Filter
- ④ On-chip S/H Circuitry and Voltage Reference
- ⑤ 2ch Simultaneous Sampling
- ⑥ Internal 64 X Over sampling
- ⑦ Operates up to 54kHz conversion
- ⑧ Full differential Inputs
- ⑨ S/N: 107dB
- ⑩ S/ (N+D): 100dB
- ⑪ Linear Phased Digital Filter
  - Passband: 0 to 22kHz (@fs=48kHz)
  - Pass band ripple: 0.01dB
  - Stopband attenuation: 80dB
- ⑫ Low Power Dissipation: 550mW
- ⑬ Compatible with AK5390
- ⑭ Package: 28 pin SOP (7.5×18.7×2.2mm)  
28 pin DIP (13.8×37.3×3.8mm)



AK5389 BLOCK DIAGRAM

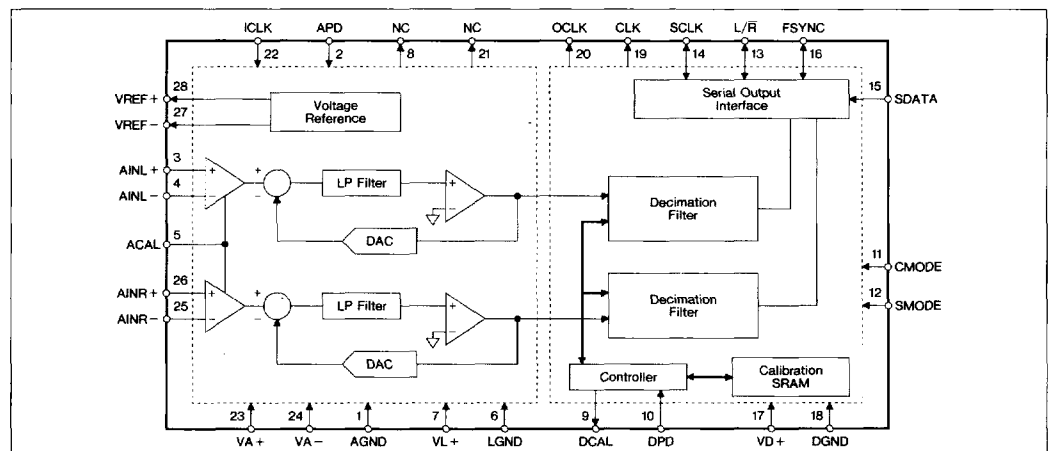
## AK5390

### 20bit ADC



28pin DIP (13.8×37.3×3.8mm)

- ① High Performance 20 bit 2ch A/D Converter
- ② 5th Order Delta-Sigma A/D Converter
- ③ On-chip Digital Anti-Alias Filter
- ④ On-chip S/H Circuitry and Voltage Reference
- ⑤ 2ch Simultaneous Sampling
- ⑥ Internal 64 X Over sampling
- ⑦ Operates up to 54kHz conversion
- ⑧ Full Differential Inputs
- ⑨ S/N: 112dB
- ⑩ S/ (N+D): 103dB
- ⑪ Linear Phase Digital Filter
  - Passband: 0 to 21.768kHz (@fs=48kHz)
  - Passband ripple: 0.005dB
  - Stopband attenuation: 100dB
- ⑫ Low Power Dissipation: 550mW
- ⑬ Compatible with AK5389
- ⑭ Package: 28 pin DIP/SOP (7.5×18.7×2.2mm)



AK5390 BLOCK DIAGRAM