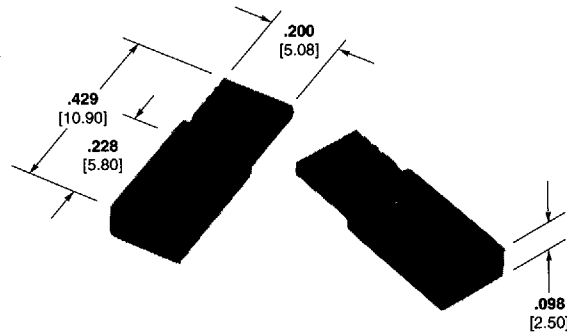


Post Shunts (Continued)

2-Position, Low Profile Shunts (Continued)

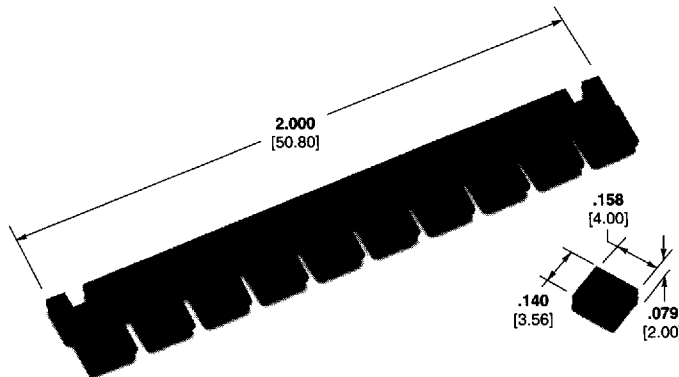
Handle Shunt
.100 [2.54] Centerline



Housing Color	Part Numbers				Type
	Gold Plate ¹ 000015 [0.00038]	Gold Plate ¹ .000030 [0.00076]	Gold Plate ¹ .000050 [0.00127]	Tin Plate .000100 [0.00254]	
Black	881545-1	881545-2	881545-3	881545-4	Open Top
Black	880584-1	880584-2	880584-3	880584-4	Closed Top
Red	—	2-881545-2	—	—	Open Top

¹ In contact area.

2 mm Mini-Shunt .079 [2.00] Centerline



Configuration	Housing Color	Part Numbers		
		Gold Plate ¹ .000015 [0.00038]	Gold Plate ¹ .000030 [0.00076]	Tin Plate .000100 [0.00254]
Strip of 10	Black	382575-2	382575-3	382575-1

¹ In contact area.

Post Shunts

AMP offers a variety of high quality shunts which mate with any common pairs of .025 [0.64] square posts, .025 [0.64] diameter posts and .022 x .026 [0.56 x 0.66] formed posts.

Among the options available are choices of gold or tin plating, beryllium copper or phosphor bronze contact material and shunts with 94V-0 rated housing spaces on .079 [2.00], .100 [2.54] and .200 [5.08] centers.

Shunts are stackable on .100 [2.54] centers with the low profile series requiring only .250 [6.35] clearance from the pc board.

All AMP shunts feature one-piece construction for high reliability. All have high normal forces for excellent electrical continuity. For added reliability, Tandem Spring Shunts have two points of contact in each receptacle.

Performance Characteristics

Current Rating:
3 amperes max unless otherwise noted

Dielectric Withstanding Voltage:
1000 VAC min.

Temperature Rating:
-65°C to +105°C (gold)
-40°C to +85°C (tin)

Humidity:
Withstands an environment of +40 °C and 95% RH for 96 hours

Materials — Low Profile, Multiposition and 2 mm Shunts

Housing:
Glass-filled thermoplastic, 94V-0 rated

Contact:
Beryllium copper or phosphor bronze

Finish:
.000050 [0.00127] nickel with gold plate in contact area or tin plate overall

Materials — Tandem Spring Shunts

Housing:
Nylon, 94V-0 rated

Contact:
Phosphor Bronze

Finish:
.000030 [0.00076] nickel with gold inlay in the contact area or tin plate overall

Technical Documents

2-Position Low Profile Shunts

Product Specification:
108-9057
Instruction Sheet:
408-03230
Application Specification:
114-1059

2 mm Mini Shunts

Product Specification:
108-1445
Instruction Sheet:
408-03276
Application Specification:
114-1074



Tandem Spring Shunts

Product Specification:
108-9062
Instruction Sheet:
408-03208
Application Specification:
114-1045

Economy Shunts

Product Specification:
108-1476
Instruction Sheet:
408-03230
Application Specification:
114-1059

Product Facts

- One piece contact construction
- High normal forces
- 94V-0 rated housings
- Gold inlay, gold plate or tin plate over nickel
- Stackable
- Those post shunts indicated are recognized under the component program of Underwriters Laboratories Inc.,  File No. E28476 and certified by the Canadian Standards Association  File No. LR 7189

Low Profile Shunts

- Economical
- Stands just .250 [6.35] above the pc board
- Packaged as loose piece or in strips of 10 for ease of handling
- Accepts posts as short as .200 [5.08]

Tandem Spring Shunts

- Two points of contact provide extra reliability
- Five housing colors available
- Shunts accept posts as short as .175 [4.45]; posts bottom at .330 [8.38]

2 mm Mini Shunts

- Stackable on 2 mm contact centerline
- Low profile
- Available in strips of 10