

7250 SERIES MODULAR JACK LOW PROFILE SHORT TYPE (PLASTIC PIN)

MATERIAL

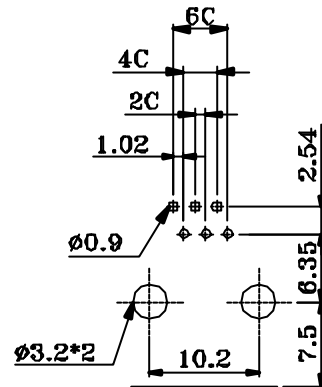
HOUSING : SEE ORDER INFORMATION

HOUSING COLOR : SEE ORDER INFORMATION

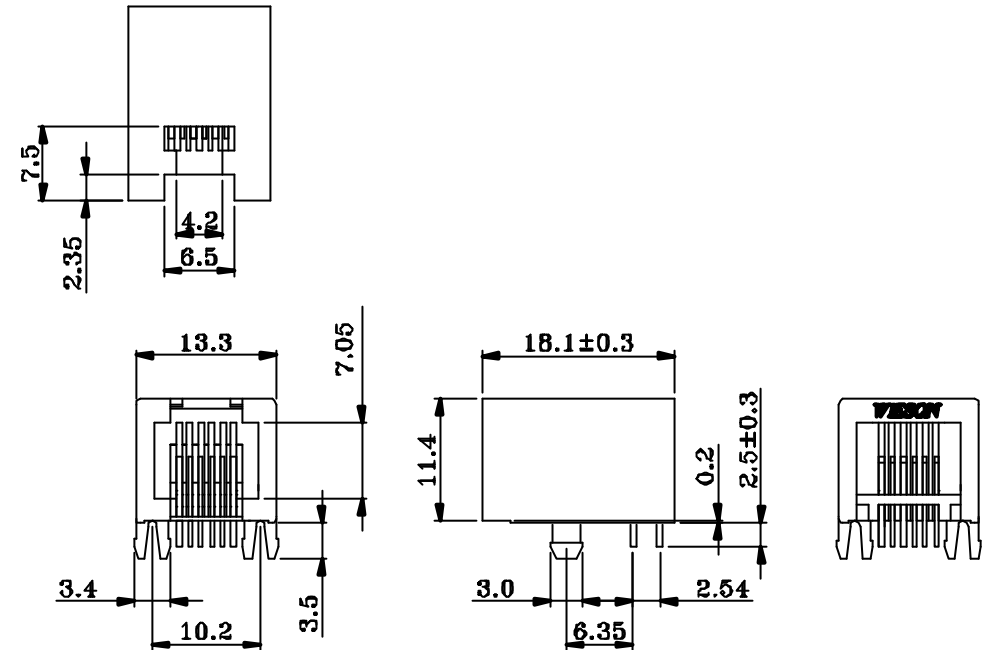
TERMINAL : COPPER ALLOY

TERMINAL PLATED : SEE ORDER INFORMATION

REV	DATE	DESCRIPTION	ECN NO.	NAME
A	03.01.02	NEW RELEASE		HEROS
B	03.01.20	△ MODIFY ORDER	KECR03000122	HEROS
C	03.11.13	△ ADD MATERIAL	KECR03000207	JINLI
D	03.11.19	△ ADD GREEN OPTION	KECR03000213	JINLI
E	04.06.17	△ ADD ORDERING	KECN0408012	JINLI
F	05.04.25	△ ADD COLOR OPTION	KECN0504011	JON



RECOMMENDED P.C. BOARD
HOLE LAYOUT



ORDER INFORMATION

7250 - 6P *C ** P * * K
2C 4C 6C

K:WISON & WSK

B:BLACK

△ G:GRAY(WARM GRAY 3U)

T: NYLON 66

△ L: NYLON 46

P:PLASTIC PIN

GREEN PRODUCT OPTION :

" " : NORMAL MATERIAL

"G" : GREEN MATERIAL

TERMINAL PLATED△

F1:1u"Au
F6:3u"Au
F2:5u"Au
F4:15u"Au
F5:30u"Au
F9:50u"Au
(F:FULL Au)

NOTE:1.P.C.B LAYOUT TOLERANCE:±0.05mm
2.DIMENSION 8.5mm ACCORD WITH FCC CRITERION.

GENERAL TOLERANCE ±0.25mm GENERAL ANGLE TOLERANCE ±3° 	WISON TECHNOLOGIES CO., LTD		PART NO.:	
	DRAWN BY	JON(WSK)	*7250-6P*C**P*BK	
	CHECKED BY	JERRYS_LIN	DRAWING NO.	7250-011
	APPROVED BY	PAN	DRAWING SIZE	2:1 A3
	SORTING NO.	WSK	UNIT	mm
			PAGE	1 OF 1