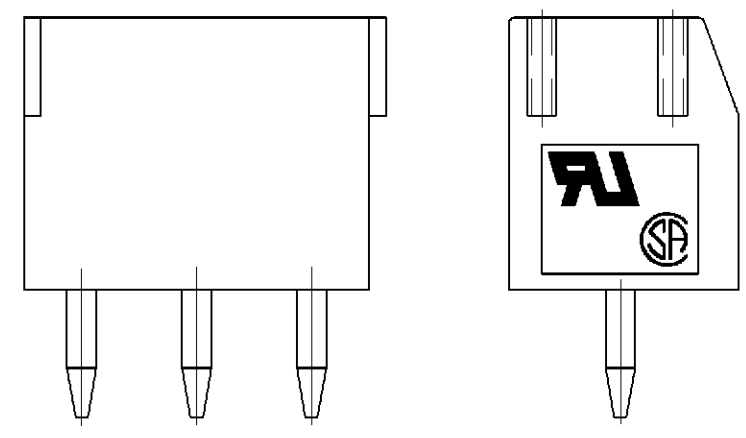
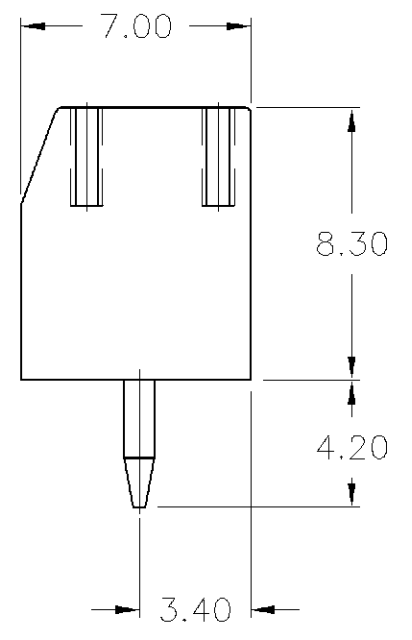
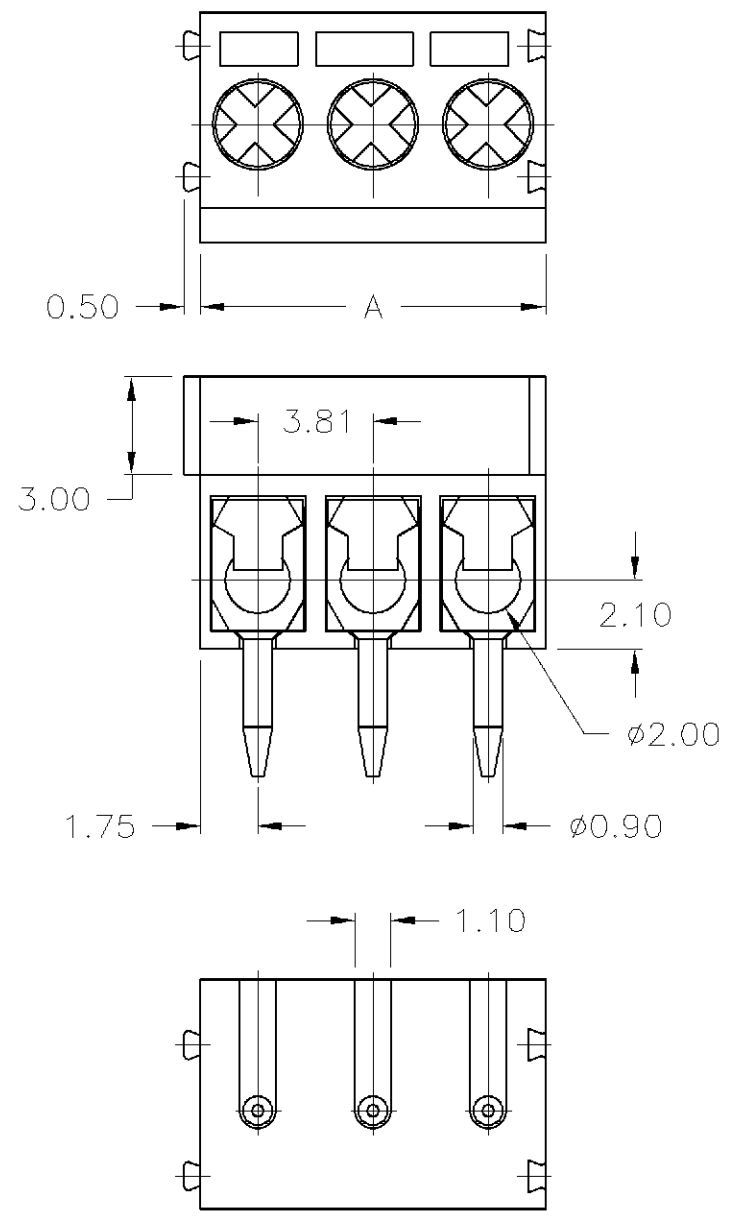


THIS DRAWING IS UNPUBLISHED. RELEASED FOR PUBLICATION
 © COPYRIGHT BY TYCO ELECTRONICS CORPORATION. ALL RIGHTS RESERVED.

LOC	DIST	REVISIONS			
P	LTR	DESCRIPTION	DATE	DWN	APVD
		C	REVISED PER 0G3B-0233-01	6/11/02	SS DAB

NOTES:

1. ALL DIMENSIONS ARE IN MM'S.
2. RECOMMENDED PC-BOARD HOLES DIA. 1.20MM TO 1.40MM.
3. BUCHANAN LOGO TO APPEAR ON HOUSING LOCATION OPTIONAL WHERE SPACE PERMITS.



796415-3 AS SHOWN

DIM. A	NO. OF POS.	PART NUMBER
82.00	24	2-796415-4
78.50	23	2-796415-3
75.00	22	2-796415-2
71.50	21	2-796415-1
68.00	20	2-796415-0
64.50	19	1-796415-9
61.00	18	1-796415-8
57.50	17	1-796415-7
54.00	16	1-796415-6
52.50	15	1-796415-5
49.00	14	1-796415-4
45.50	13	1-796415-3
42.00	12	1-796415-2
38.50	11	1-796415-1
35.00	10	1-796415-0
31.50	9	796415-9
28.00	8	796415-8
24.50	7	796415-7
21.00	6	796415-6
17.50	5	796415-5
14.00	4	796415-4
11.43	3	796415-3
7.62	2	796415-2

THIS DRAWING IS A CONTROLLED DOCUMENT.		DWN E. ZANOLINI 29JAN01	BUCHANAN Tyco Electronics Corporation Harrisburg, PA 17105-3608		
DIMENSIONS: MM		CHK E. ZANOLINI 29JAN01			
TOLERANCES UNLESS OTHERWISE SPECIFIED:		APVD D. BIEVENOUR 29JAN01	NAME TERMINAL BLOCK PCB MOUNT, STRAIGHT SIDE WIRE ENTRY W/INTERLOCK, 3.81mm PITCH (LT)		
0 PLC ± - 1 PLC ± 0.3 2 PLC ± 0.25 3 PLC ± - 4 PLC ± - ANGLES ± -		PRODUCT SPEC -	SIZE A3	CAGE CODE 00779	DRAWING NO C-796415
MATERIAL -		FINISH -	APPLICATION SPEC -	WEIGHT -	RESTRICTED TO -
CUSTOMER DRAWING			SCALE 4:1	SHEET 1 OF 2	REV C

THIS DRAWING IS UNPUBLISHED. RELEASED FOR PUBLICATION
 © COPYRIGHT BY TYCO ELECTRONICS CORPORATION. ALL RIGHTS RESERVED.

LOC	DIST	REVISIONS			
P	LTR	DESCRIPTION	DATE	DWN	APVD
FT	0	C	SEE SHEET 1	-	-

1. Application and Features:

- 1-1. Standard sizes are 2 and 3 way-blocks, but every number of contact can be combined, by simply plugging them together and can be ordered as required**
- 1-2. With wire guard for wire protection (for that the screw doesn't press directly on the wire)

2-3. Mechanical:

- 2-3-1. Torque: 4 Kg.cm (Max).
- 2-3-2. Operating temperature: -55°C to +105°C.
- 2-3-3. Solderability: 95% coverage (min).

2. Technical Data:

2-1. Material:

- 2-1-1. HOUSING: NY-FR15 UL 94 V-0 (BLUE).
- 2-1-2. Metal Housing: Brass(Cu Zn)
Cu,Tin plated.
- 2-1-3. Wire guard: Stainless steel.
- 2-1-4. Screw: Steel galvanized and chromitized, M2.6

2-2. Electrical:

- 2-2-1. Current rating: 10 Amps/way max.
- 2-2-2. Contact resistance: 20mΩ (Max).
- 2-2-3. Insulation resistance: 5000MΩ /1000V.
- 2-2-4. Withstanding Voltage: 1500VAC (1min).
- 2-2-5. Operation Voltage: 300 VAC.
- 2-2-6. Wire Range: 14-22 AWG.

THIS DRAWING IS A CONTROLLED DOCUMENT.		DWN E. ZANOLINI 29JAN01	BUCHANAN Tyco Electronics Corporation Harrisburg, PA 17105-3608		
DIMENSIONS: MM		CHK E. ZANOLINI 29JAN01	NAME TERMINAL BLOCK PCB MOUNT, STRAIGHT SIDE WIRE ENTRY W/INTERLOCK, 3.81mm, PITCH (LT)		
TOLERANCES UNLESS OTHERWISE SPECIFIED:		APVD D. BIEVENOUR 29JAN01	PRODUCT SPEC -		
MATERIAL		APPLICATION SPEC -	SIZE A3	CAGE CODE 00779	DRAWING NO C-796415
FINISH		WEIGHT -	RESTRICTED TO -		
-		CUSTOMER DRAWING		SCALE 1:1	SHEET 2 OF 2
				REV C	

