

# Quad PWM Relay Driver

## FEATURES

- Maintains Constant Average Relay Voltage With Varying Supply Voltages
- VBUS Voltages up to 42.5V
- Up to 50mA per Relay
- Integrated Schottky Flyback Diodes
- Individual Relay Control Inputs
- Short Circuit Protection
- User Selectable Operating Center Frequency and Relay Voltage
- Global Reset

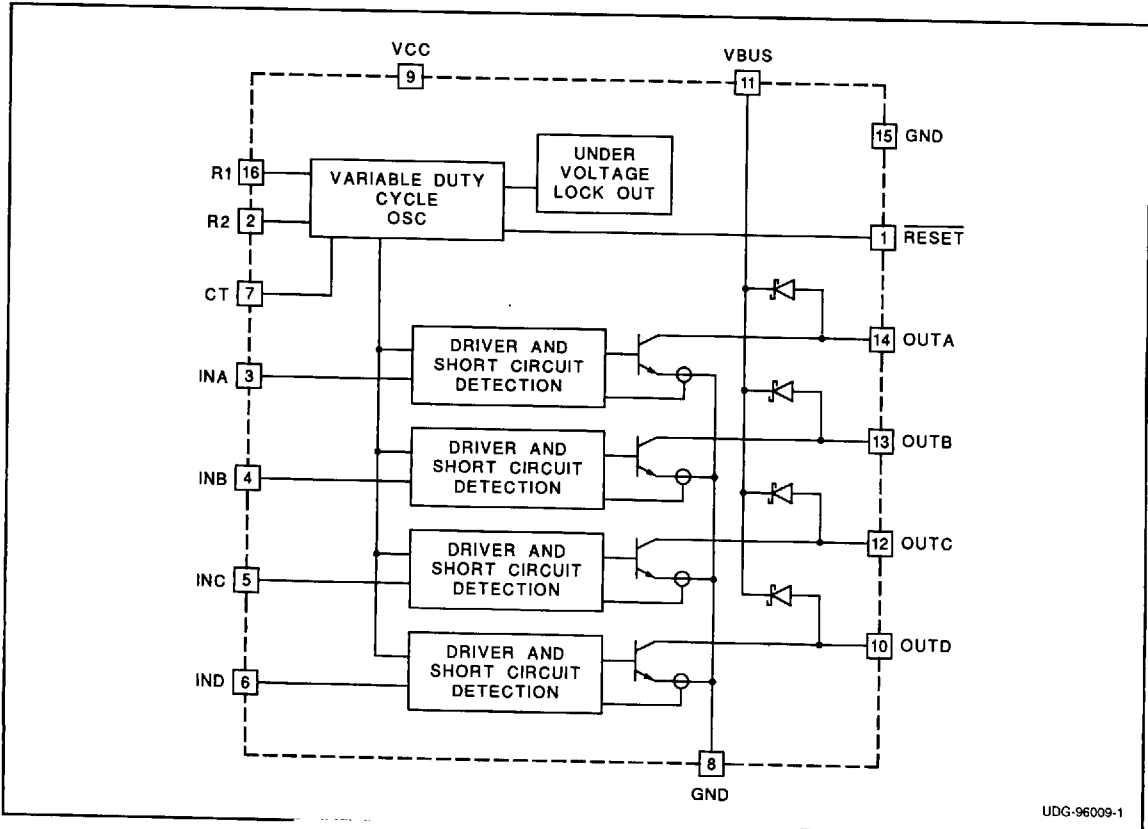
## DESCRIPTION

The UC3702 Quad Relay Driver is intended to drive up to four relays from logic inputs using an unregulated relay voltage supply. The relays are driven from the Bus supply in a power efficient PWM converter fashion. The relay coil is used as the inductive element. (See the application's section concerning the relay selection.) VBUS must be higher than the rated relay voltage. Short circuit protection is provided on chip with periodic retry.

The UC3702 requires a +5V logic supply as a reference. Two external resistors program the effective relay voltage and a capacitor sets the nominal operating frequency. Internal Schottky diodes eliminate the need for any external power components.

In typical applications, the UC3702 grants the user the flexibility to choose the most cost effective relay without the added burden of generating a separate relay supply voltage. The UC3702 will even function with a poorly regulated supply VBUS, containing significant 100Hz or 120Hz ripple.

## BLOCK DIAGRAM



UDG-96009-1

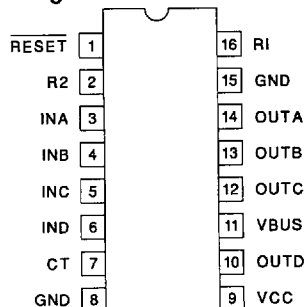
**ABSOLUTE MAXIMUM RATINGS**

VBUS .....	+50V
VCC .....	+9V
Input Voltage .....	-0.3V to VCC + 0.3V
Average Current per Relay .....	.50mA
Total Output Capacitance .....	25pF
Storage Temperature .....	-65°C to +150°C
Junction Temperature .....	-55°C to +150°C
Lead Temperature (Soldering, 10 sec.) .....	+300°C

*Currents are positive into, negative out of the specified terminal.  
Consult Packaging Section of Databook for thermal limitations and considerations of packages.*

**CONNECTION DIAGRAMS**

**DIL-16, SOIC-16 (Top View)  
J or N, D Package**



**ELECTRICAL CHARACTERISTICS** Unless otherwise stated these specifications apply for  $T_A = -55^\circ\text{C}$  to  $+125^\circ\text{C}$  for UC1702;  $-25^\circ\text{C}$  to  $+85^\circ\text{C}$  for UC2702;  $0^\circ\text{C}$  to  $+70^\circ\text{C}$  for UC3702;  $\text{VBUS} = 34\text{V}$ ,  $\text{VCC} = 5\text{V}$ ,  $\text{RESET} = \text{VCC}$ ,  $\text{R2} = 43.2\text{k}\Omega$ ;  $\text{R1} = 203\text{k}\Omega$ ;  $\text{CT} = 220\text{pF}$ ,  $T_A = T_J$ .

PARAMETER	TEST CONDITIONS	MIN	TYP	MAX	UNITS
<b>Supply Voltage Section</b>					
VCC		4.5	5	8	V
VCC Supply Current	RESET, INA, INB, INC, IND = VCC		4	6	mA
VBUS				42.5	V
<b>Oscillator Section</b>					
NOMINAL Operating Frequency	R1 = 203kΩ, R2 = 43.2kΩ, CT = 220pF	150	175	200	kHz
R1		100	202	500	kΩ
R2		20	42.5	80	kΩ
CT		100			pF
<b>Output Driver</b> <span style="float:right">VBUS = 20V</span>					
Rated Relay Current				50	mA
Short Circuit Current		100	175		mA
Diode Leakage Current	Control Input Low, $V_{\text{outx}} = \text{VBUS}$		0.05	5	μA
Diode Forward Voltage			500		mV
Averaged Output Voltage Error	UC2702, UC3702 (Note 1)	-10		10	%
	UC1702	-20		20	%
<b>Control Inputs (INA, INB, INC, IND)</b>					
Logic Low				0.5	V
Logic High		3		VCC	V
TON / TOFF Delay				250	ns
Input Current		-1	0	1	μA
Input Current (Logic High)	$V_{\text{IN}} = 5\text{V}$		70	120	μA
<b>RESET</b>					
TON / TOFF Delay				2	μs
Input Current	$V_{\text{IN}} = 0.3\text{V}$	-8	-5		μA
Input Current	$V_{\text{IN}} = 5\text{V}$	-10	0	10	μA

Note 1: Programmed Average Voltage =  $\frac{1.06 \cdot \text{R1} \cdot \text{VCC}}{2 \cdot \text{R2}} - 400\text{mV}$

## PIN DESCRIPTIONS

**CT:** A capacitor from the CT pin to ground sets the oscillator center frequency. Note that the oscillator period must be least an order of magnitude less than the relaxation time constant (L/R) of the relay coil. However, a needlessly high operating frequency only increases power dissipation. For best accuracy, CT should be 220pF or greater.

**GND:** Both ground pins must be connected to a low noise system ground.

**INA, INB, INC, IND:** Separate digital control inputs for each of the four relay drivers. An active high input (a logic high) turns on the respective relay. Active low disables the common-emitter drive transistor.

**OUTA, OUTB, OUTC, OUTD:** Each of these output pins can be connected to the low side of one relay coil. The rated relay coil voltage of all relays to be driven by a single UC3702 must be the same. (It is permissible to use coils with different rated series resistances with a single UC3702, so long as the rated coil voltages are the same and care is taken with respect to the relaxation times of the different relay coils). Output transients are slew rate limited to decrease electro-magnetic radiation.

**R1:** User selected external resistor must be placed from the R1 pin to the VBUS voltage supply. Sensing the VBUS

amplitude, the oscillator varies its ON duty cycle such that the average voltage across the driver coil is constant.

**R2:** User selected external resistor must be placed from R2 pin to GND. This resistor, in conjunction with the external timing capacitor, CT, sets the OFF cycle time of the oscillator. For best accuracy, use 42.3kΩ for R2.

**RESET:** Digital reset pin is active low. When  $\overline{\text{RESET}}$  is low, the oscillator stops running and all drivers are open collector.

**VCC:** Nominally 5V. In addition to supplying the voltage for the driver logic and oscillator circuit, the VCC supply is used as reference for the generating the average relay voltage. It is recommended that the VCC be regulated to  $\pm 5\%$  of its nominal value or better to insure good regulation. Good decoupling with a minimum of 1μF is necessary.

**VBUS:** This pin should be tied to a low impedance voltage source at some voltage higher than the rated voltage of the relay coil to be driven. VBUS may even be a poorly filtered rectified sin wave, as the UC3702 will regulate the correct duty cycle. Good decoupling with a minimum of 1μF is necessary.

## APPLICATION INFORMATION

The UC3702 must be programmed for a specific relay voltage. The table given below has some suggested values of R1, R2, and CT. The VCC supply voltage is assumed to be 5V.

Rated Relay Voltage	R1	R2	CT
9V	153kΩ	43.2kΩ	220pF
12V	203kΩ	43.2kΩ	220pF
24V	398kΩ	43.2kΩ	220pF

More generally, the following equation can be used to determine the equivalent average relay voltage:

$$V_{\text{RELAY}} = \frac{1.06 \cdot V_{\text{CC}} \cdot R1}{2 \cdot R2} - 400\text{mV}$$

## Industrial Relays

The UC3702 takes advantage of the inductance of the relay coil to regulate a constant coil current in a manner very similar to a switch-mode power supply. To use the UC3702 correctly, the coil characteristics must be known. The rated relay voltage is what the relay manufacturers specify as voltage to drive the relay coil with if the coil were driven from a dc source. Most manufacturers also specify the series resistance of the coil. This is the resistance of the copper wire and determines the steady state coil ON current. For example, a 12V relay with a 320Ω series coil resistance with a draw of 37.5mA of constant current. The relay inductance is not typically specified in the manufacturer's short-form datasheet, so the engineer will need an LCR bridge to measure it or request the information from the relay manufacturer.

**APPLICATION INFORMATION (cont.)**

Although the inductance may not be specified in the relay datasheet, it is very repeatable since it is determined by the number of turns and geometry of the relay.

The relay's coil inductance divided by its series resistance is the relay coil's relaxation time constant. It is important that the relaxation time constant be at least an order of magnitude longer than the nominal switching period of the UC3702 to obtain a constant current through the relay coil. This means that some relays may be ill-suited for use with the UC3702.

For example, a common 12V industrial relay has a series resistance of 500Ω and a coil inductance of 500mH. Its relaxation time constant is 1ms, an order of magnitude less than the period of a 10kHz oscillator.

When performing an engineering evaluation of the UC3702 in a system, it is useful to have a current probe. Alternately, a 1Ω resistor can be placed in series with the relay coil in

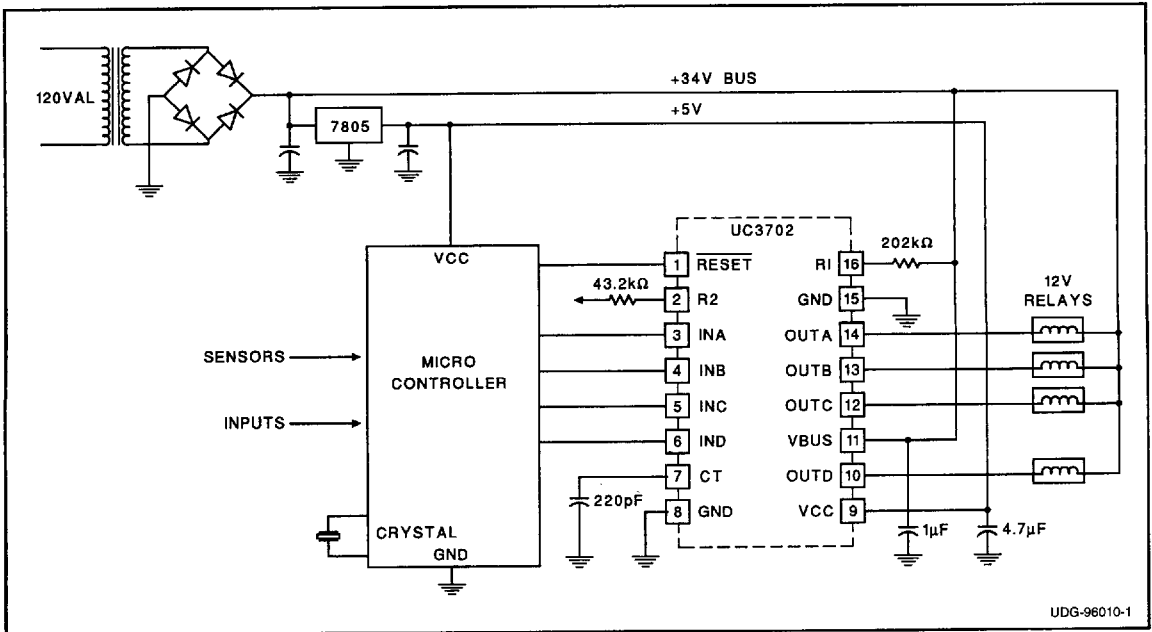
the prototype and differential voltage probes can be used to observe the coil current. (Do not use a large series resistor, as this will impact observed relaxation time constant.)

**Layout Considerations**

The layout of the printed circuit board and good decoupling of the power supplies is critical to proper operation of the UC3702. For best results, high quality 4.7μF tantalum capacitors should be placed as close as possible to the VCC and the VBUS pins.

In addition to decoupling considerations, the R1 and R2 pins are sensitive to capacitive coupling from any of the driver outputs (OUTA - D) which can slew at speeds of 300V/μs. The external resistors R1 and R2 should be placed as close as possible to their respective pins. Avoid routing the outputs directly past these pins without a low impedance trace (such as GND, VCC, or VBUS) in between to act as a capacitive shield.

**Typical Microcontroller Application Driving 12V Industrial Relays**



UDG-96010-1