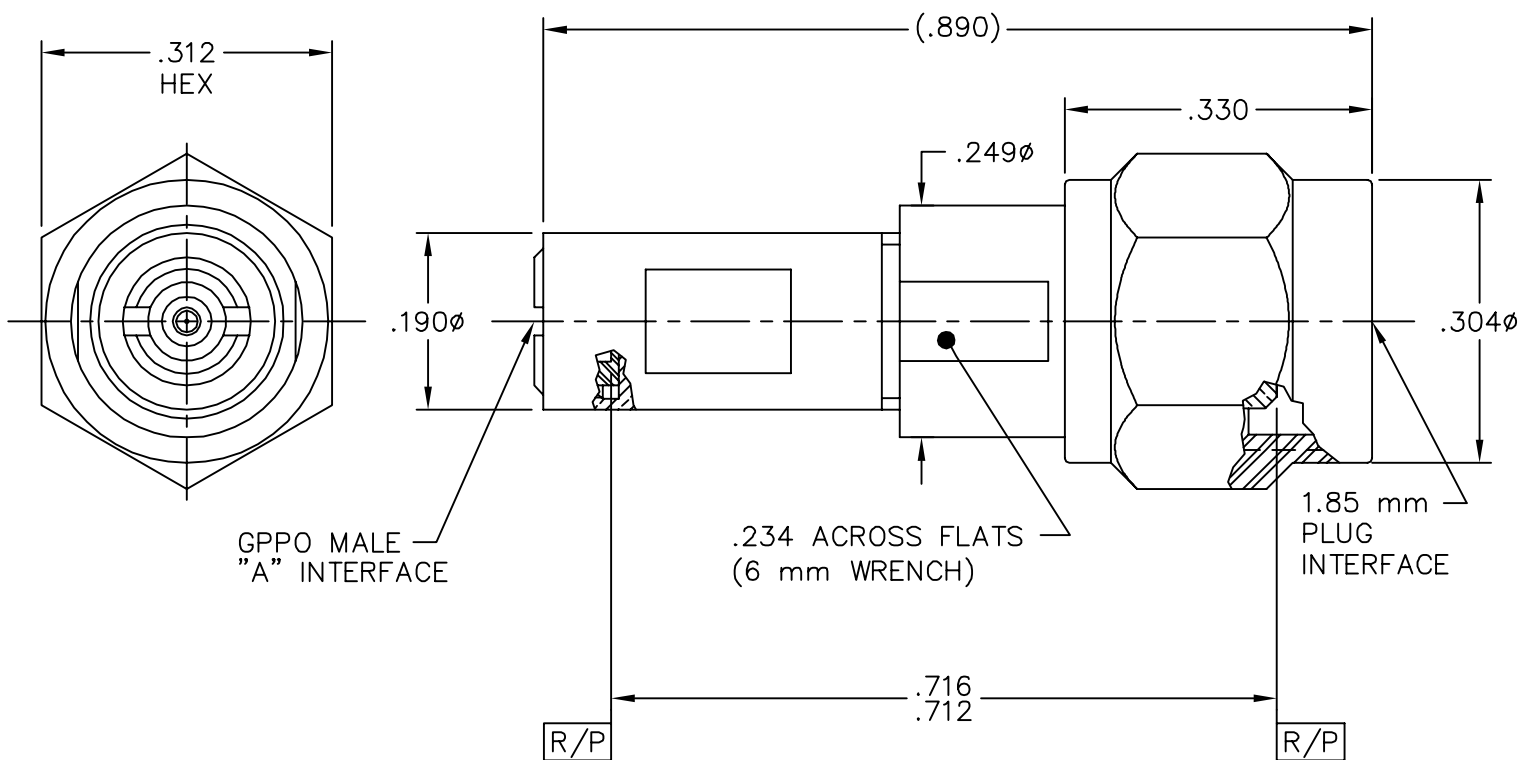
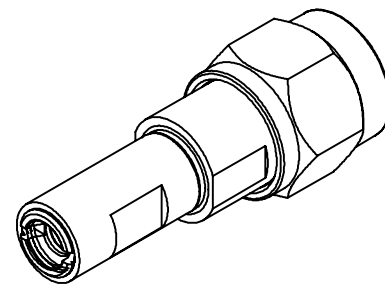


CATALOG NUMBER	"A" INTERFACE
1B3M2-0509-01	FULL DETENT
1B5M2-0509-01	SMOOTH BORE

MATERIAL AND FINISH

SHROUD AND COUPLING NUT: CRES 303; PASSIVATED
 CENTER CONTACT, RETAINING RING, AND HOUSINGS: BeCu; GOLD PLATE 50-100 MICORINCHES OVER NICKEL PLATE 50 MICROINCHES MIN.
 DIELECTRICS: VIRGIN PTFE (TEFLON)



This drawing and any data contained herein is the property of Corning Gilbert Inc., and constitutes and contains proprietary and confidential information. Neither receipt nor possession of this drawing confers or transfers any right to duplicate, use or disclose any information contained herein except as expressly authorized by Corning Gilbert Inc.

GPPO MALE TO
 1.85 mm "V" PLUG
 ADAPTER (TAB DETENT)

IDENT CODE:

82316

REVISION: C

Corning Gilbert Inc.

SOURCE FILE: SK-1744

DWG. NO.: OL-1BXM2-0509-01

ASSY. PROC.: -