

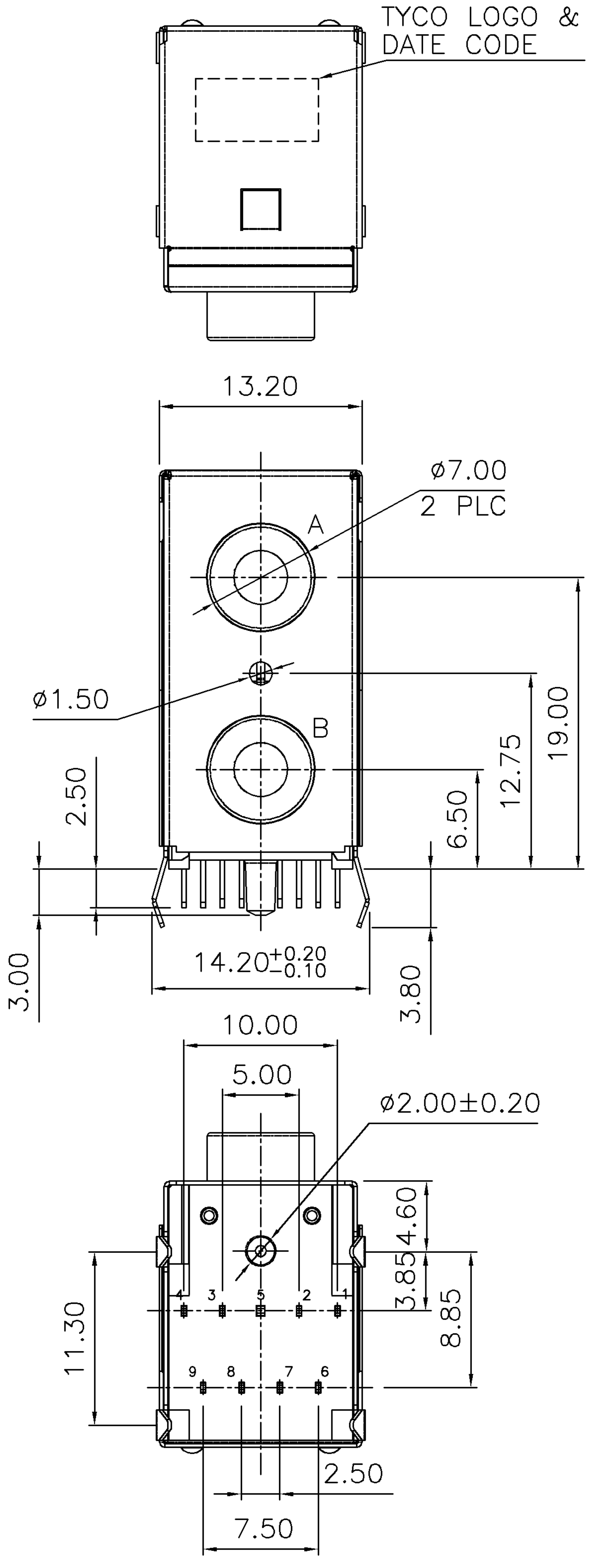
NUMBER
C-1734041



METRIC

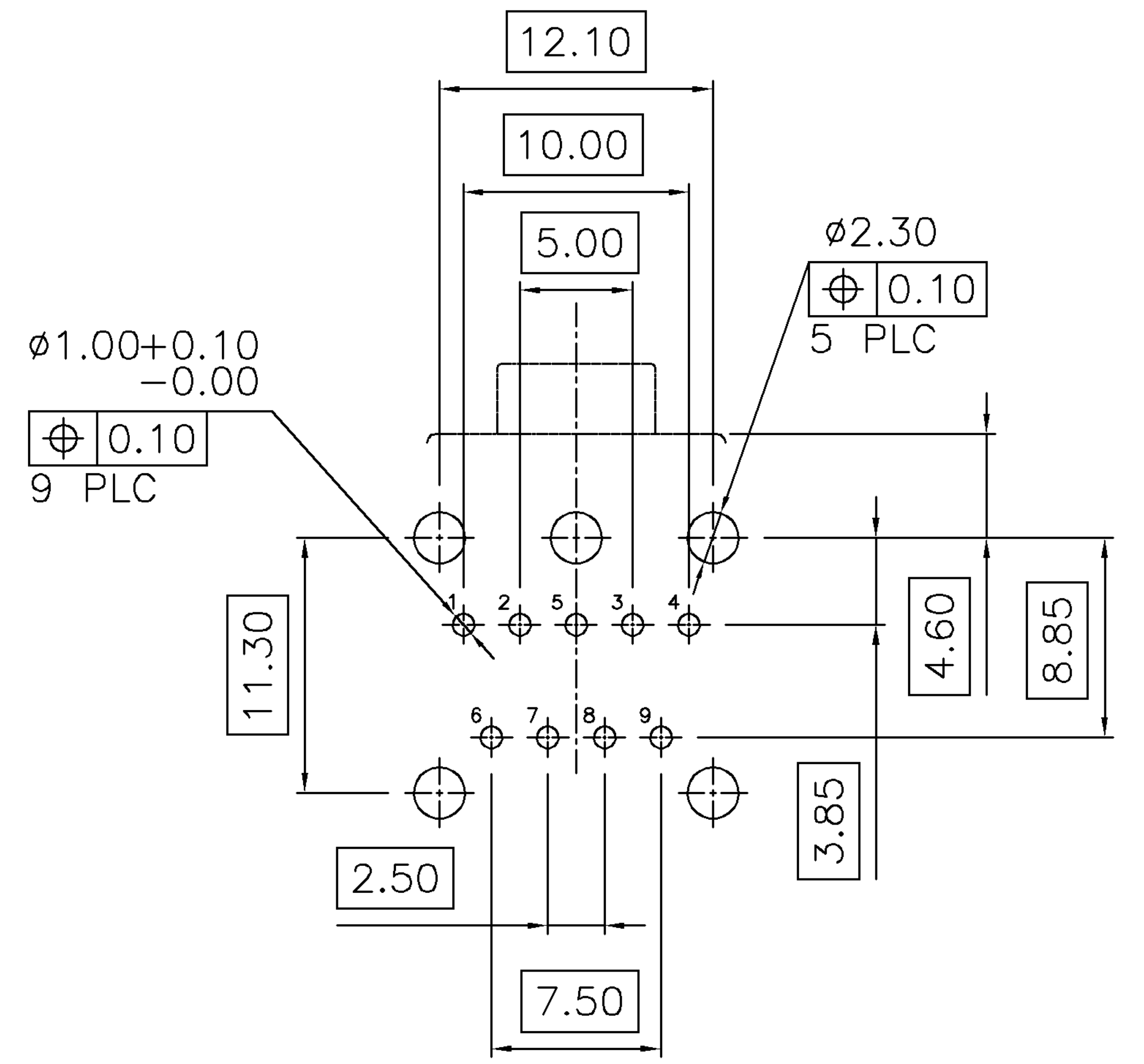
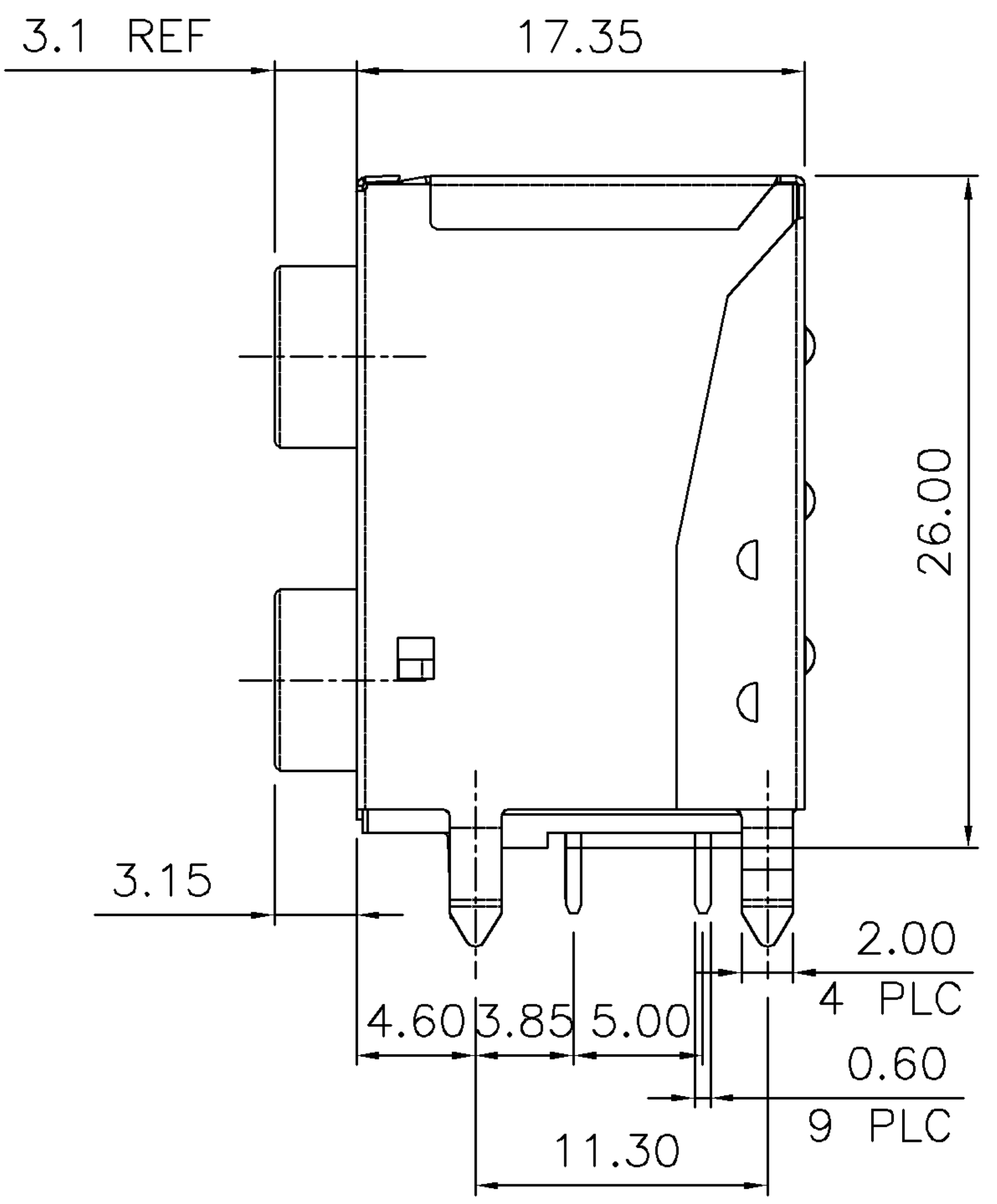
THIS INFORMATION IS CONFIDENTIAL AND IS DISCLOSED TO YOU ON CONDITION THAT NO FURTHER DISCLOSURE IS MADE BY YOU TO OTHER THAN AMP PERSONNEL WITHOUT WRITTEN AUTHORIZATION FROM AMP (TAIWAN) LTD. DIMENSIONS IN MILLIMETERS. DO NOT SCALE PRINT.

PRINT
DW

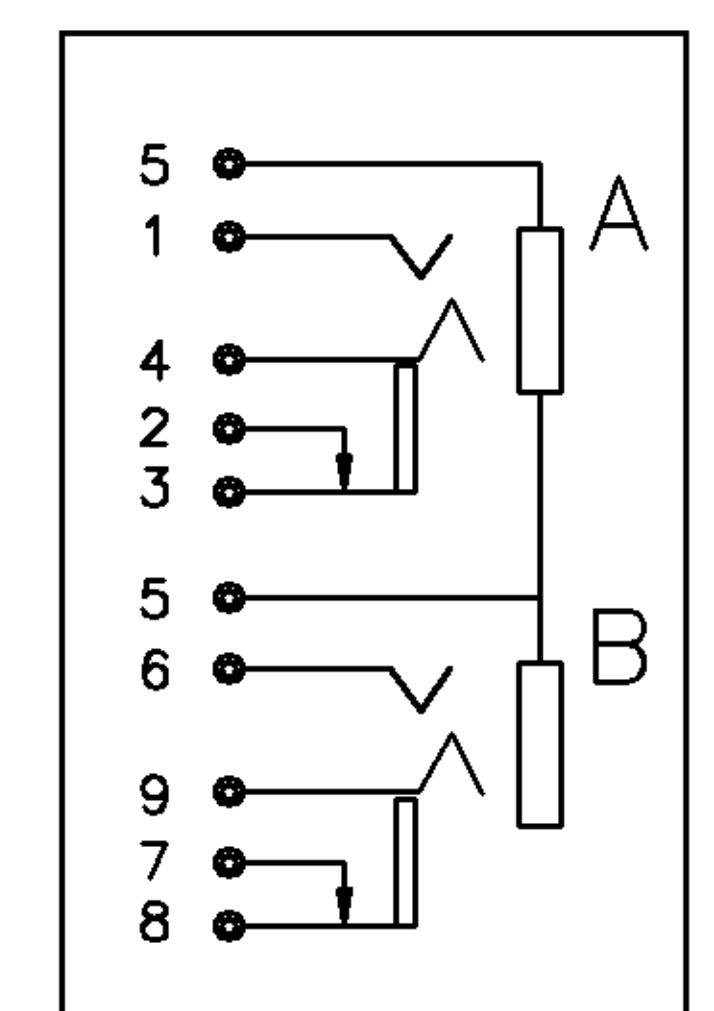
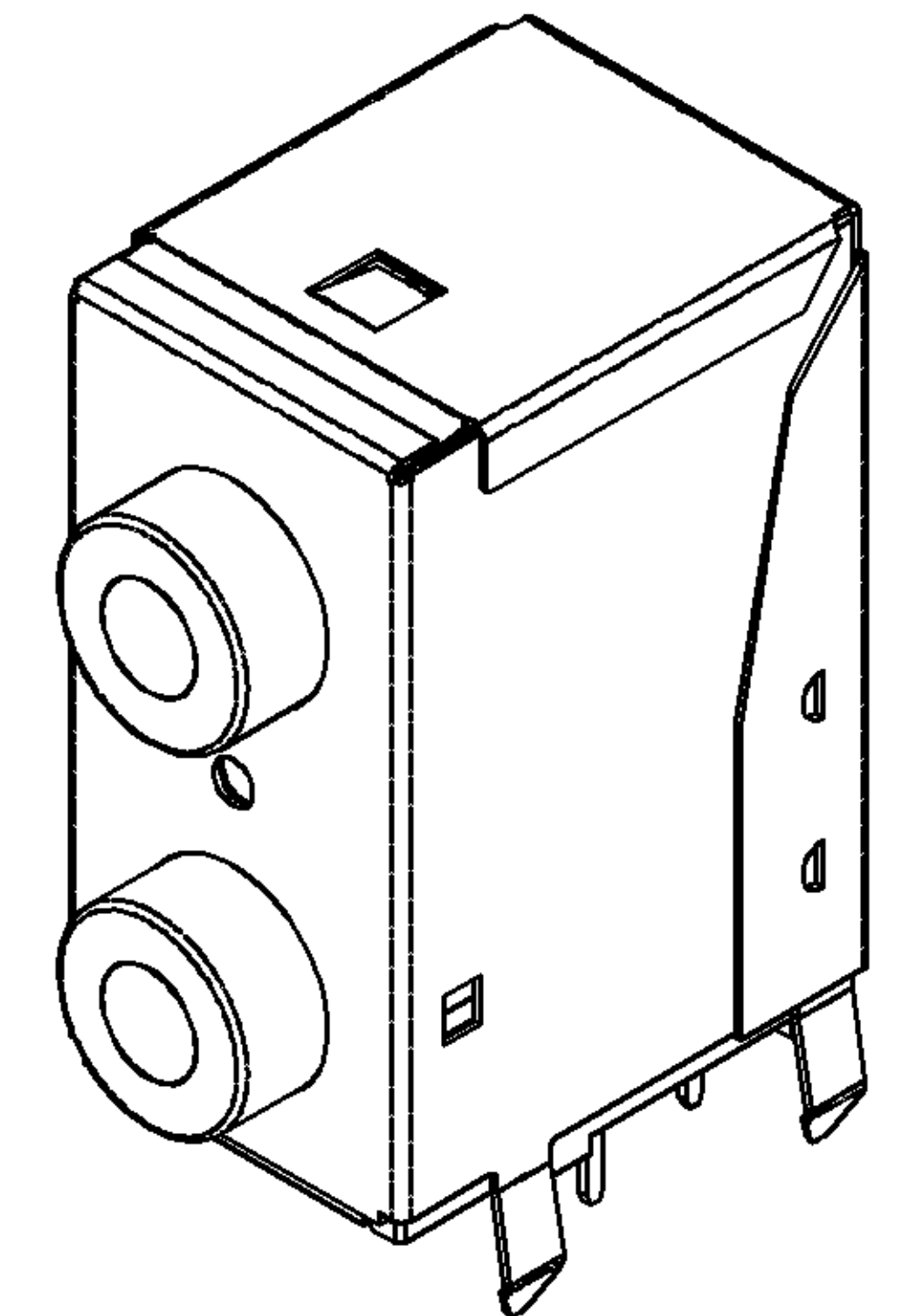


TYCO LOGO &
DATE CODE

- NOTES:
- MATERIAL:
HOUSING: THERMOPLASTIC HIGH TEMP., WITH 30% GLASS FIBER, UL 94V-0 RATED, COLOR: SEE TABLE.
SPACER: TERTHERMOPLASTIC HIGH TEMP., WITH 30% GLASS FIBER, UL 94V-0 RATED, COLOR: BLACK.
CONTACTS: PHOSPHOR BRONZE, THICKNESS=0.3mm.
GROUND: BRASS, THICKNESS=0.5mm.
FRONT SHIELD: SPCC, THICKNESS=0.3mm.
REAR SHIELD: SPCC, THICKNESS=0.3mm.
 - FINISH:
CONTACT: GOLD FLASH ON CONTACT AREA.
120μ" MIN. BRIGHT TIN PLATING ON SOLDERTAILS
50μ" MIN. NICKEL UNDERPLATED OVERALL.
GROUND: GOLD FLASH ON CONTACT AREA.
80μ" MIN. BRIGHT TIN PLATING ON SOLDERTAILS
50μ" MIN. NICKEL UNDERPLATED OVERALL.
FRONT SHIELD: 120μ" MIN. NICKEL PLATING OVER 100μ" MIN. Cu.
REAR SHIELD: 120μ" MIN. NICKEL PLATING OVER 100μ" MIN. Cu.
 - WAVE SOLDER CAPABLE TO 265°C PER TYCO SPEC 109-202, CONDITION B.



RECOMMENDED P.C.B. LAYOUT (THICKNESS=2.0mm)
TOP VIEW (TOLERANCE± 0.05)



SCHMATIC

BLUE/284C	PINK/701C	1734041-3
PINK/701C	LIME/577C	1734041-2
BLUE/284C	LIME/577C	1734041-1
JACK B	JACK A	PART NUMBER
HOUSING COLOR		

TOLERANCES UNLESS OTHERWISE SPECIFIED: 0 PLC ±0.50 1 PLC ±0.35 2 PLC ±0.25 3 PLC ±0.10 ANGLES ±3'	DWN O. HU 07-FEB-2006	TYCO HOLDINGS (BERMUDA) VII LTD. TAIWAN BRANCH 	
MATERIAL SEE NOTE	CHK S. HOU 07-FEB-2006	NAME	
FINISH SEE NOTE	APVD WJ. KE 07-FEB-2006	AUDIO JACK DUAL STACKED CONNECTOR	
B ADD P/NS ECR-06-001878 OH SH 10FEB 2006	PRODUCT SPEC 108-57516	LOC DW	REV B
A ADD P/NS ECR-05-001218 OH SH 01APR 2005	APPLICATION SPEC 501-57589	SIZE A ₃	DRAWING NO C-1734041
O FIRST RELEASED FZ00-0246-04 JL SH 30APR 2004	WEIGHT 10 gram	SCALE --	SHEET 1 OF 4
LTR REVISION RECORD ECN DWN CHK DATE			

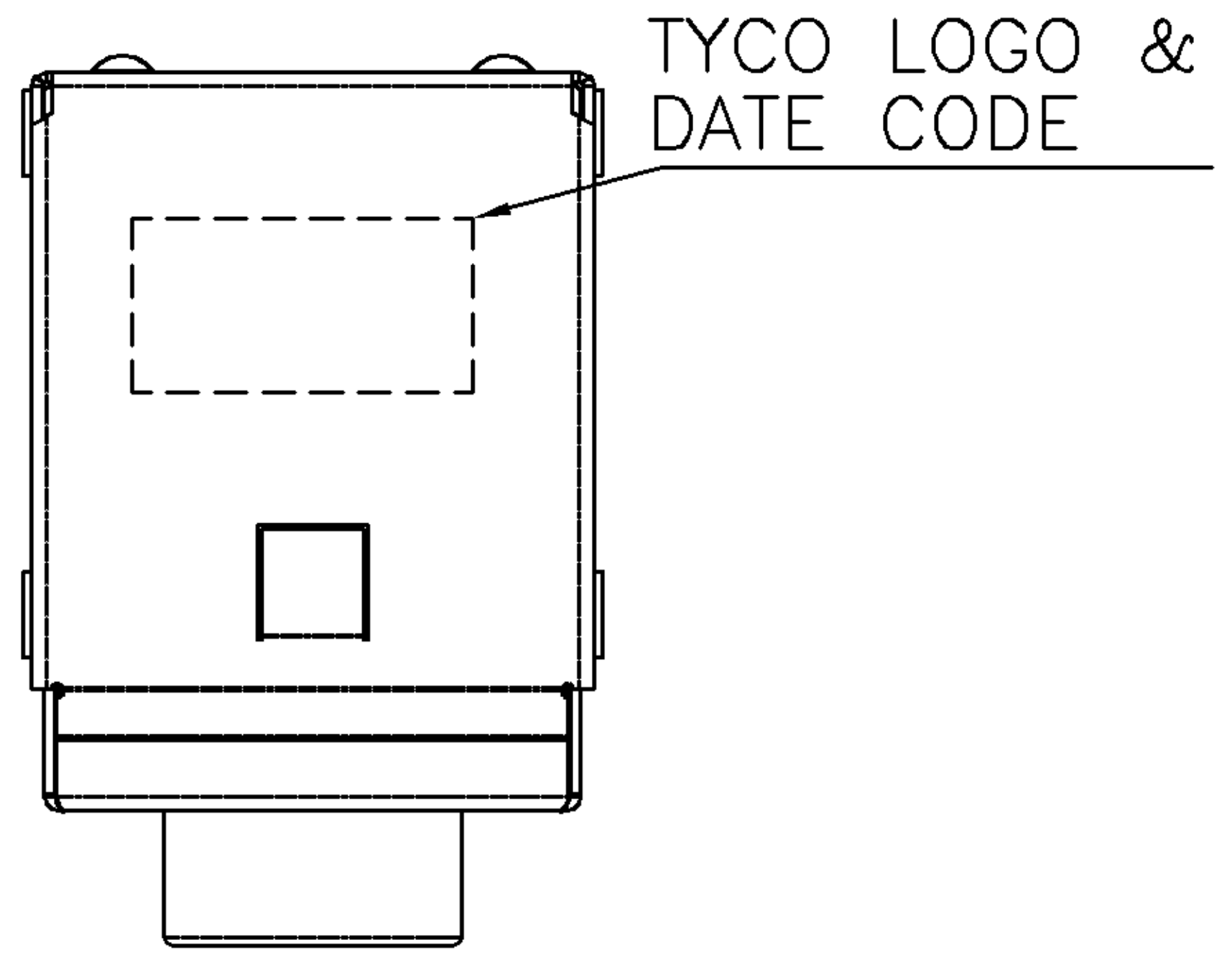
NUMBER
C-1734041



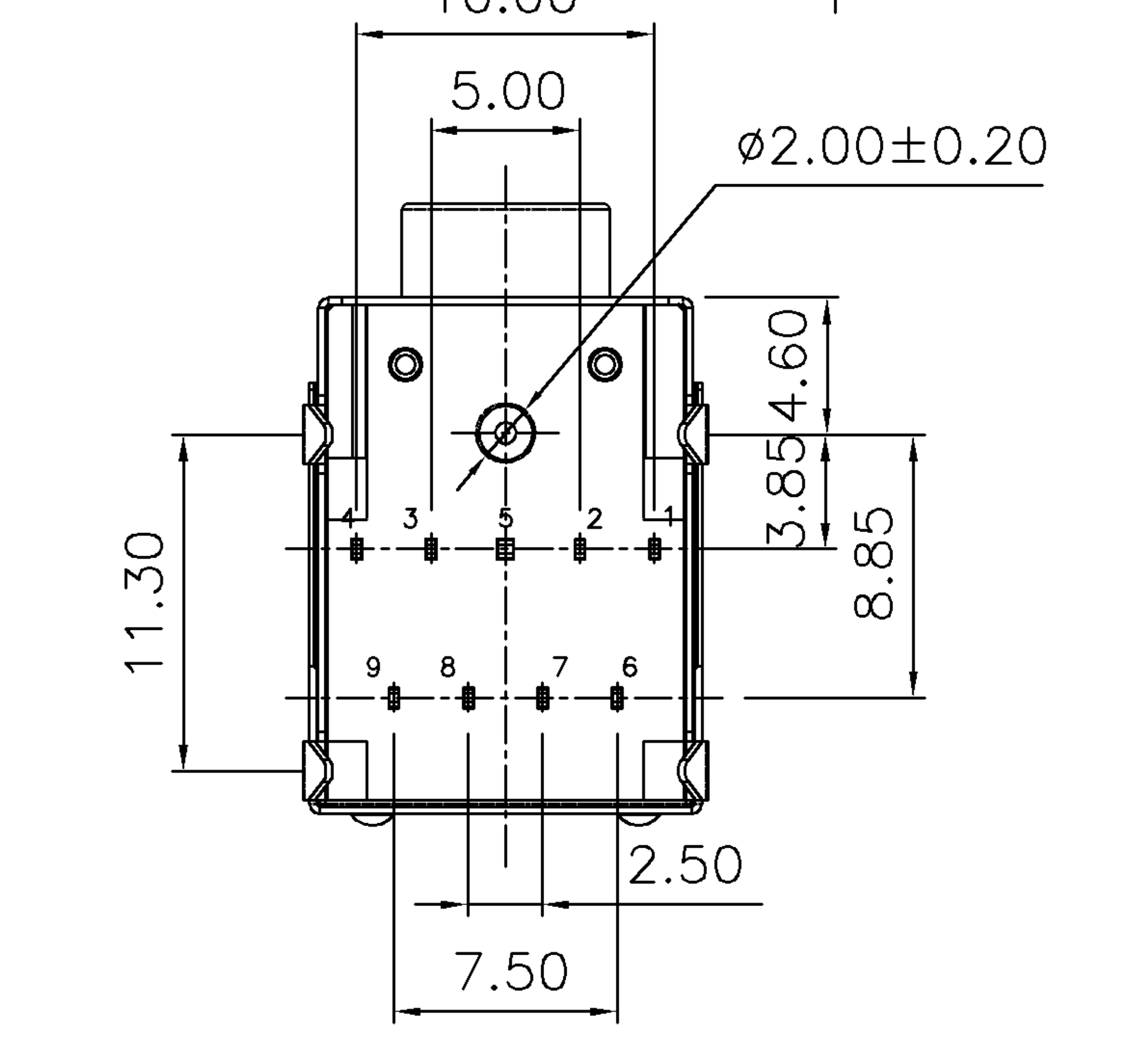
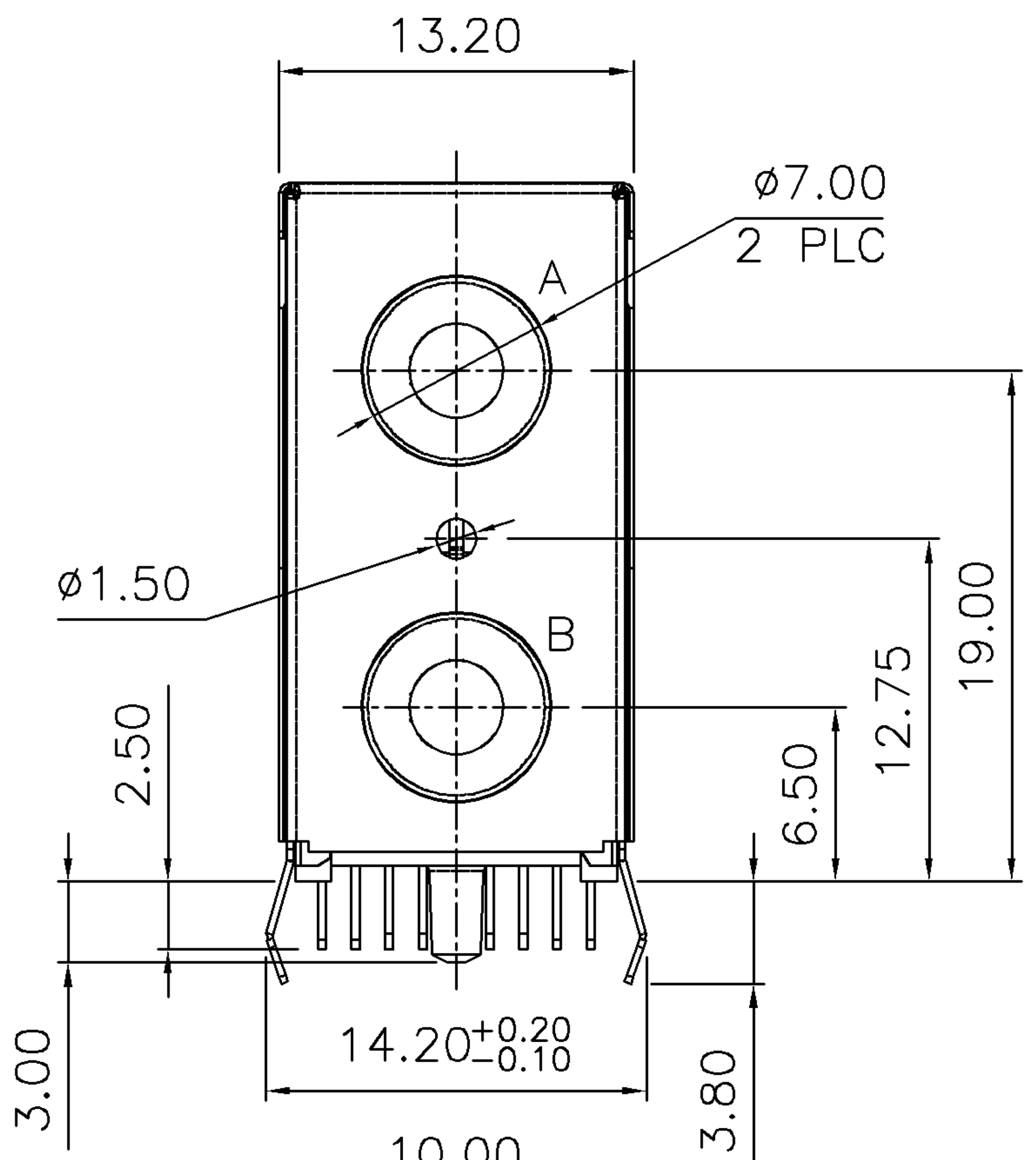
METRIC

THIS INFORMATION IS CONFIDENTIAL AND IS DISCLOSED TO YOU ON CONDITION THAT NO FURTHER DISCLOSURE IS MADE BY YOU TO OTHER THAN AMP PERSONNEL WITHOUT WRITTEN AUTHORIZATION FROM AMP (TAIWAN) LTD. DIMENSIONS IN MILLIMETERS. DO NOT SCALE PRINT.

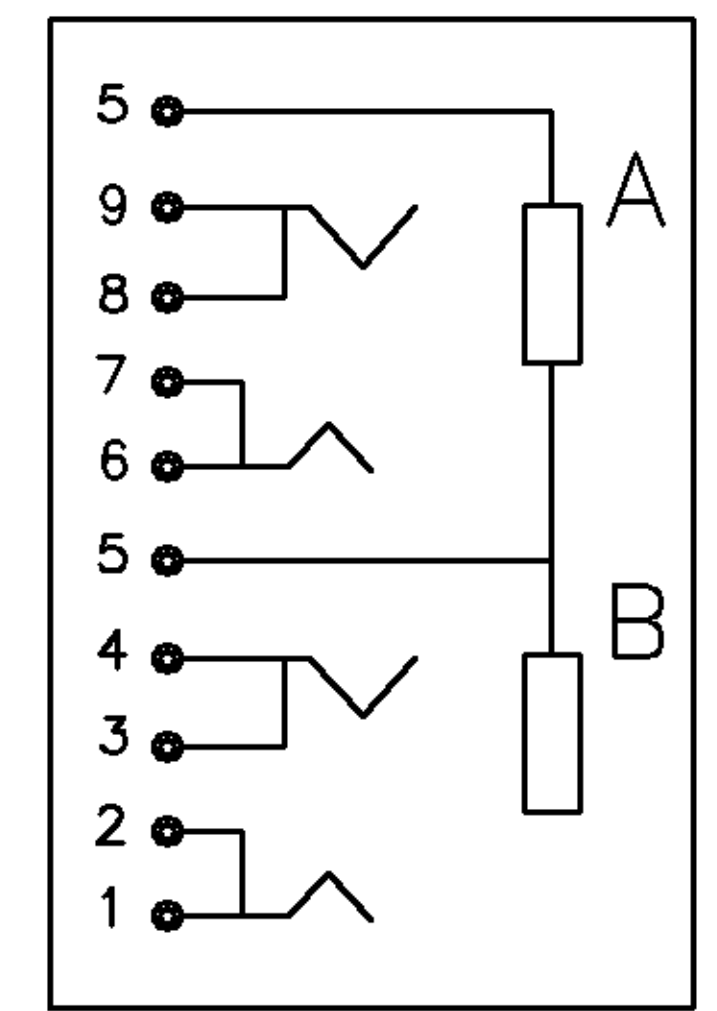
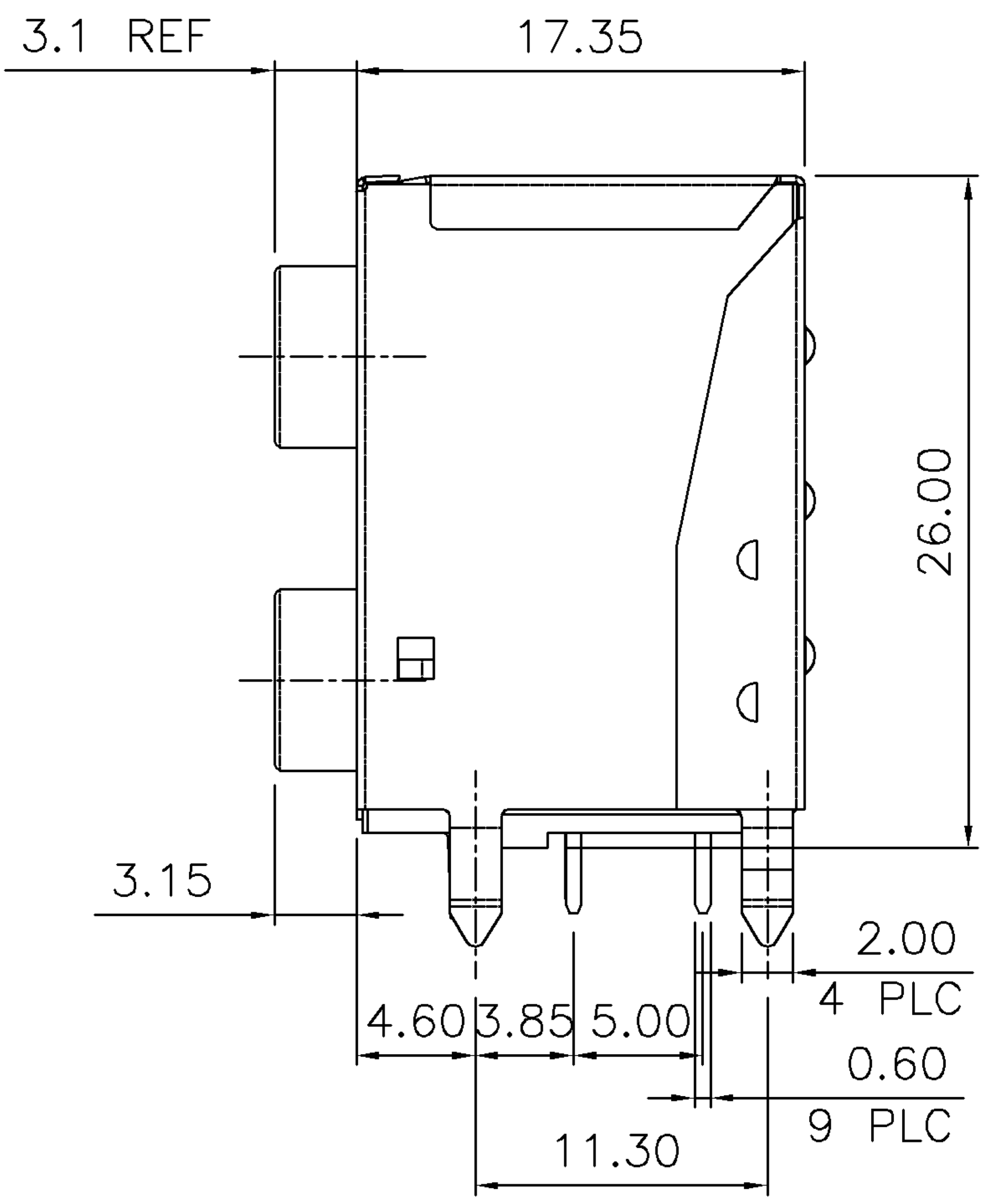
PRINT DIST
DW



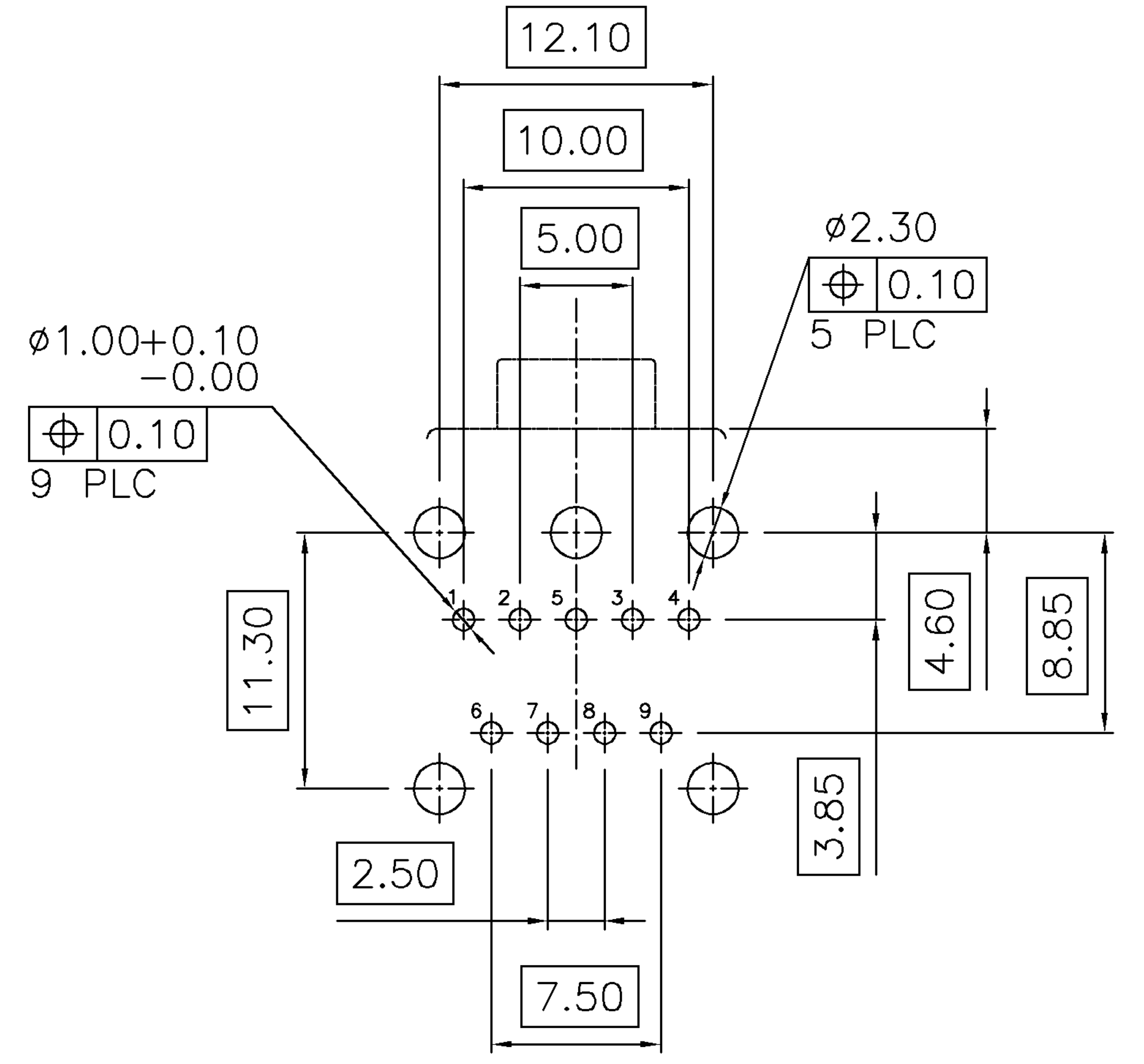
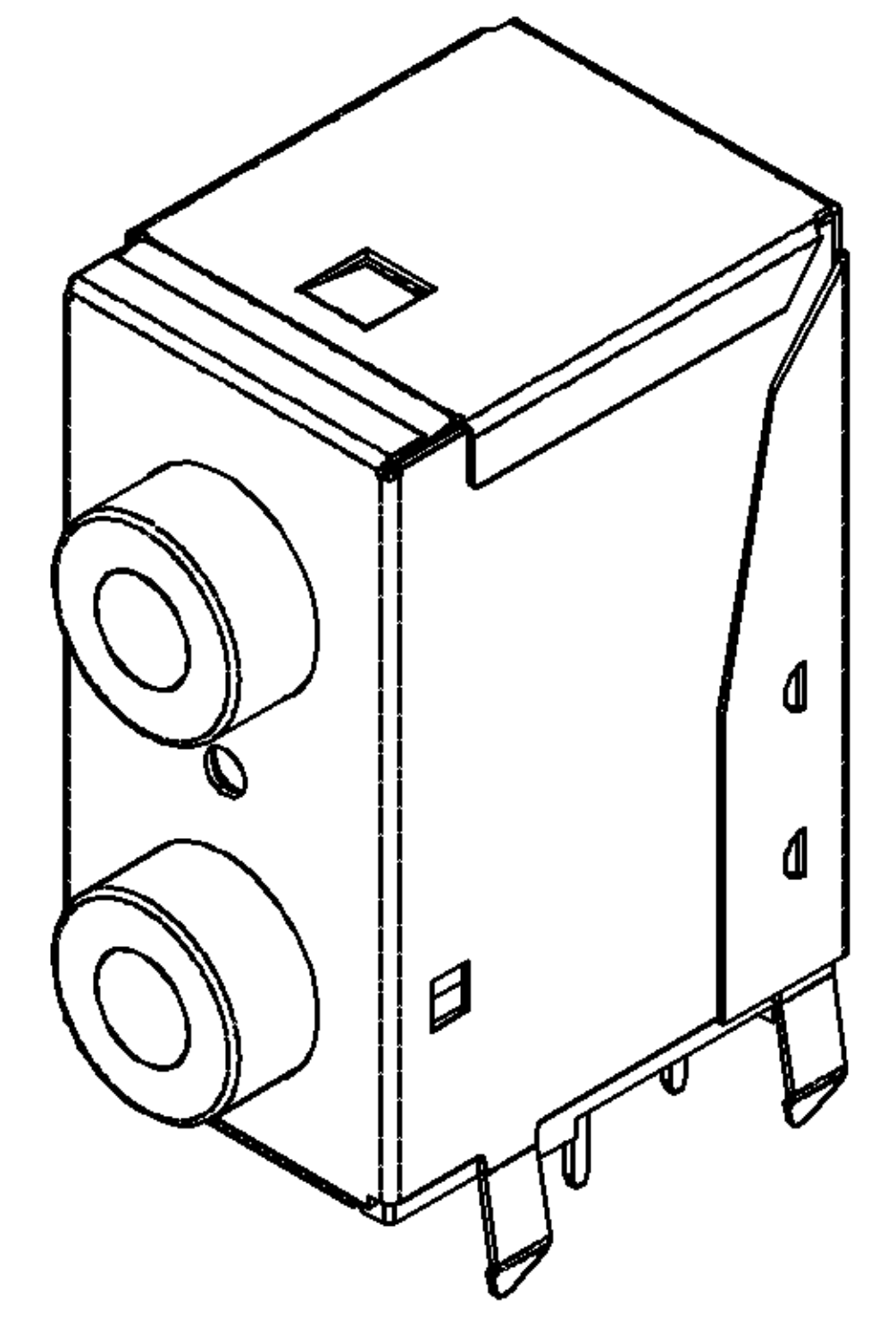
TYCO LOGO &
DATE CODE



NOTES:
1. MATERIAL:
HOUSING: THERMOPLASTIC (SEE TABLE), WITH 30% GLASS FIBER, UL 94V-0 RATED, COLOR: SEE TABLE.
SPACER: THERMOPLASTIC HIGH TEMP. (SEE TABLE), WITH 30% GLASS FIBER, UL 94V-0 RATED, COLOR: BLACK.
CONTACTS: PHOSPHOR BRONZE, THICKNESS=0.3mm.
GROUND: BRASS, THICKNESS=0.5mm.
FRONT SHIELD: SPCC, THICKNESS=0.3mm.
REAR SHIELD: SPCC, THICKNESS=0.3mm.
2. FINISH:
CONTACT: GOLD PLATED (SEE TABLE) ON CONTACT AREA.
120μ" MIN. BRIGHT TIN PLATING ON SOLDER TAILS
50μ" MIN. NICKEL UNDERPLATED OVERALL.
GROUND: GOLD FLASH ON CONTACT AREA.
80μ" MIN. BRIGHT TIN PLATING ON SOLDER TAILS
50μ" MIN. NICKEL UNDERPLATED OVERALL.
FRONT SHIELD: 120μ" MIN. NICKEL PLATING OVER 100μ" MIN. Cu.
REAR SHIELD: 120μ" MIN. NICKEL PLATING OVER 100μ" MIN. Cu.
▲ WAVE SOLDER CAPABLE TO 240°C PER TYCO SPEC 109-202, CONDITION A.
▲ WAVE SOLDER CAPABLE TO 265°C PER TYCO SPEC 109-202, CONDITION B.



SCHEMATIC



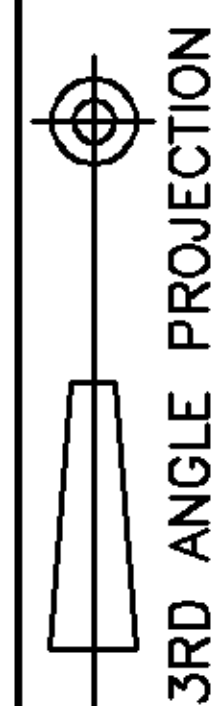
RECOMMENDED P.C.B. LAYOUT (THICKNESS=2.0mm)
TOP VIEW (TOLERANCE ± 0.05)

▲PA9T	BLUE/284C	LIME/577C	GOLD FLASH	2-1734041-8
	GRAY	BLACK	GOLD FLASH	2-1734041-7
	ORANGE	GREEN	GOLD FLASH	2-1734041-6
	BLUE/284C	PINK/701C	GOLD FLASH	2-1734041-5
	BLACK	BLACK	GOLD FLASH	2-1734041-4
	PINK/701C	LIME/577C	GOLD FLASH	2-1734041-3
	LIME/577C	BLUE/284C	GOLD FLASH	2-1734041-2
	BLUE/284C	PINK/701C	GOLD FLASH	2-1734041-1
▲PBT	BLUE/284C	LIME/577C	GOLD FLASH	1-1734041-6
	BLACK	BLACK	GOLD FLASH	1-1734041-5
	PINK/701C	LIME/577C	GOLD FLASH	1-1734041-4
	LIME/577C	BLUE/284C	30μ"	1-1734041-3
	LIME/577C	BLUE/284C	GOLD FLASH	1-1734041-2
HSG MATERIAL	JACK B	JACK A	MIN. GOLD THICKNESS	PART NUMBER
	HOUSING COLOR			

TOLERANCES UNLESS OTHERWISE SPECIFIED: 0 PLC ±0.50 1 PLC ±0.35 2 PLC ±0.25 3 PLC ±0.10 ANGLES ±3'	DWN	O. HU	TYCO HOLDINGS (BERMUDA) VII LTD. TAIWAN BRANCH	
	CHK	S. HOU	NAME	
MATERIAL SEE NOTE	APVD	WJ. KE	AUDIO JACK DUAL STACKED CONNECTOR	
	PRODUCT SPEC	108-57516		
FINISH SEE NOTE	APPLICATION SPEC	501-57589	LOC DW	SIZE A ₃
	WEIGHT	10 gram	DRAWING NO	REV B
		SCALE	C-1734041	2 OF 4

LTR	REVISION RECORD	ECN	DWN	CHK	DATE
	SEE SHEET 1.				

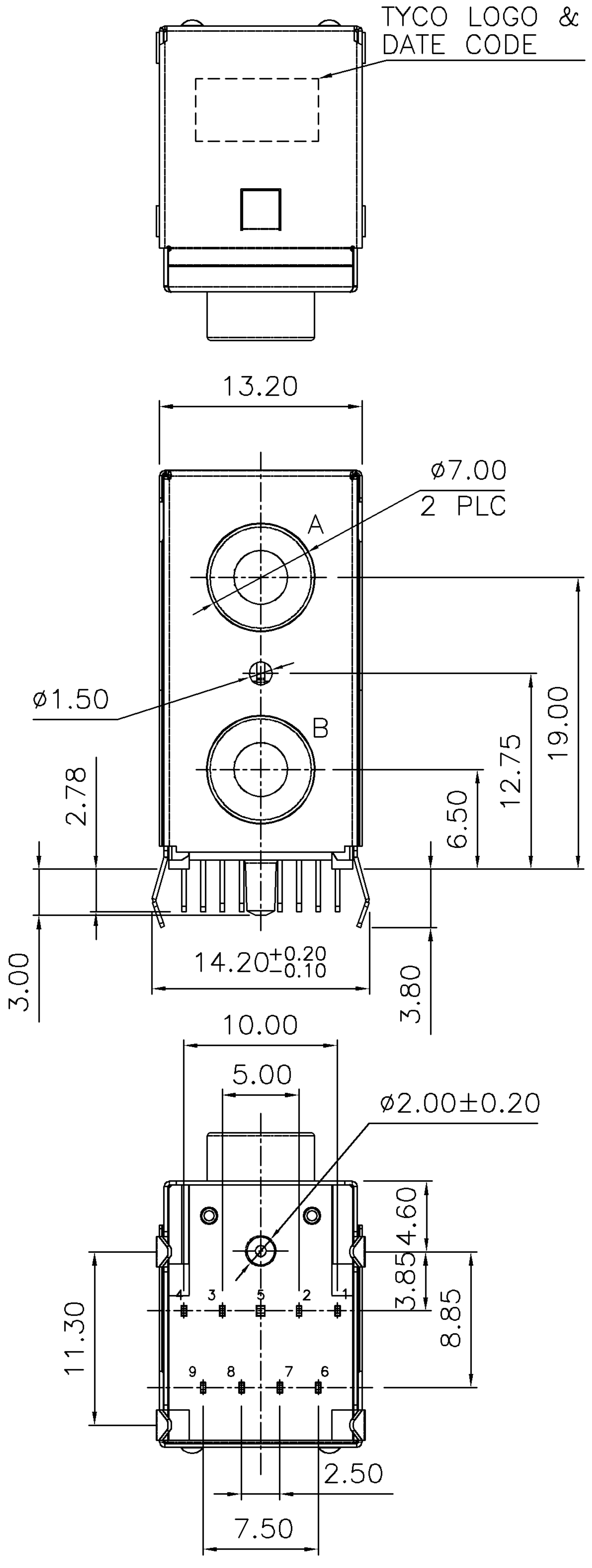
NUMBER
C-1734041



METRIC

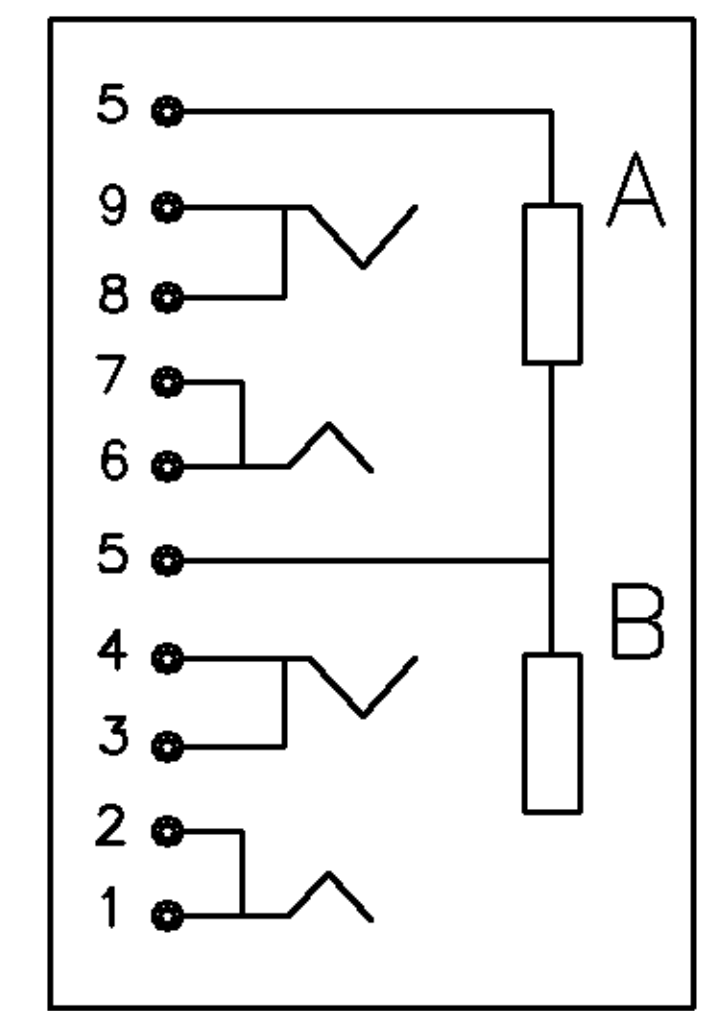
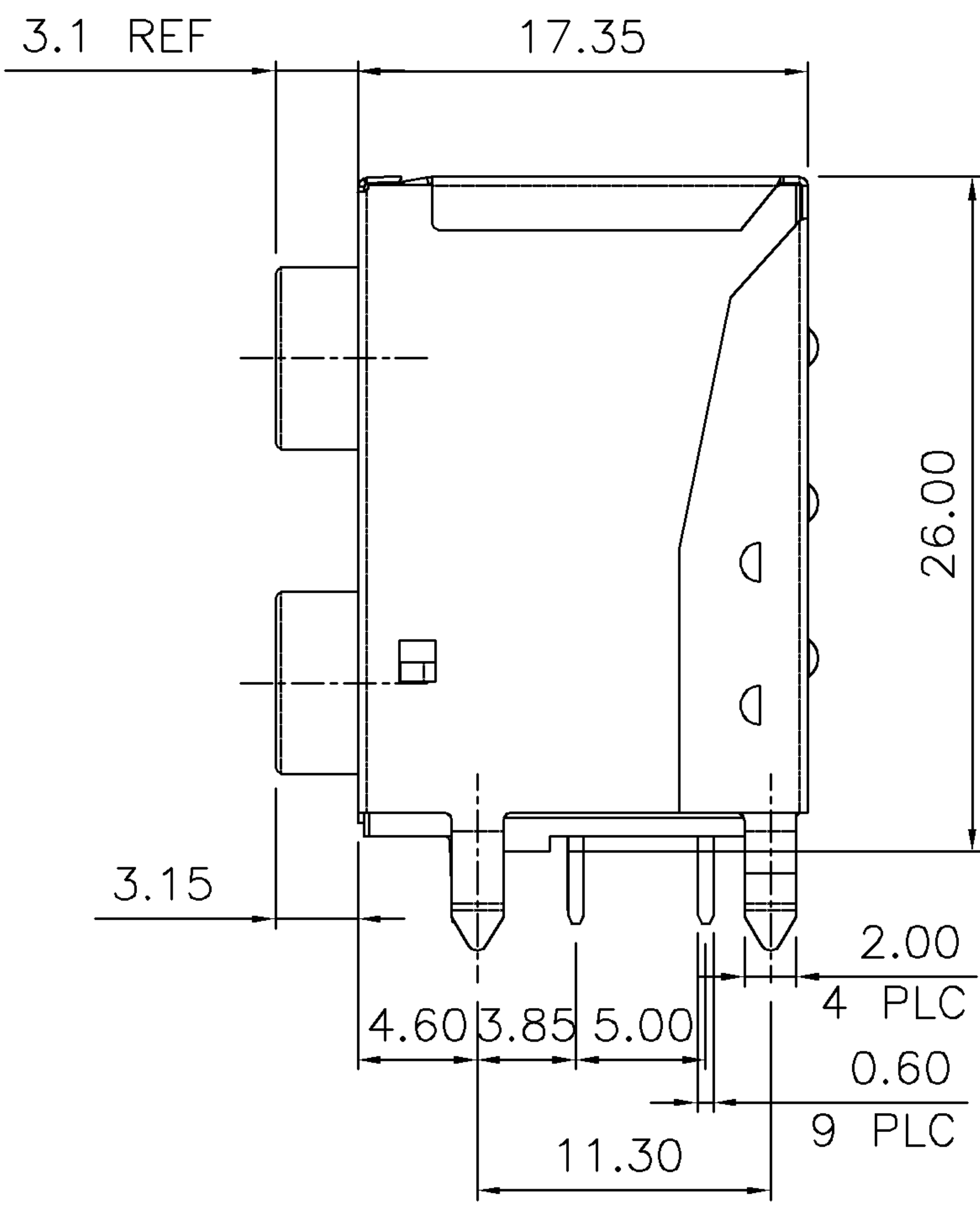
THIS INFORMATION IS CONFIDENTIAL AND IS DISCLOSED TO YOU ON CONDITION THAT NO FURTHER DISCLOSURE IS MADE BY YOU TO OTHER THAN AMP PERSONNEL WITHOUT WRITTEN AUTHORIZATION FROM AMP (TAIWAN) LTD. DIMENSIONS IN MILLIMETERS. DO NOT SCALE PRINT.

PRINT DIST
DW

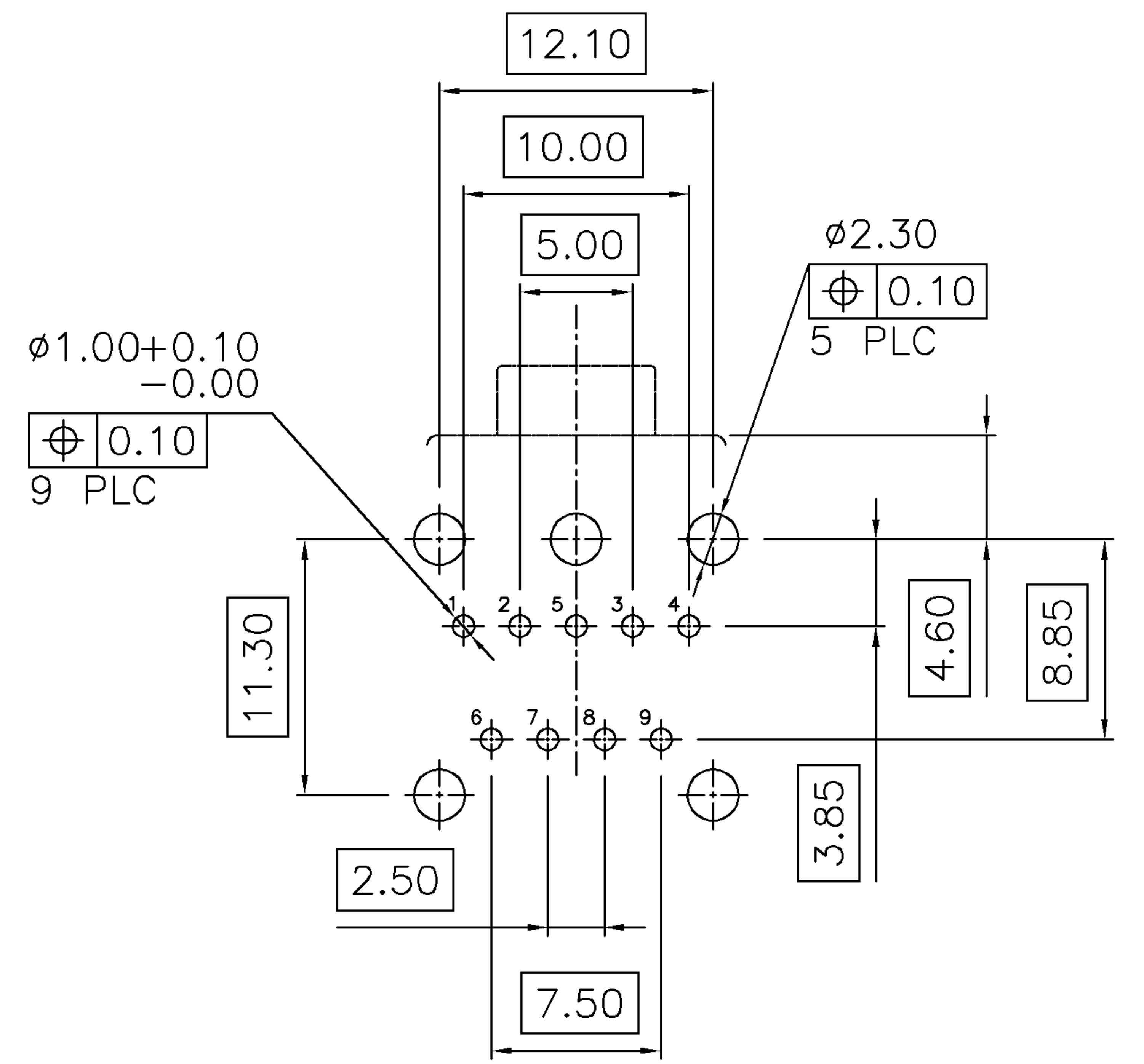
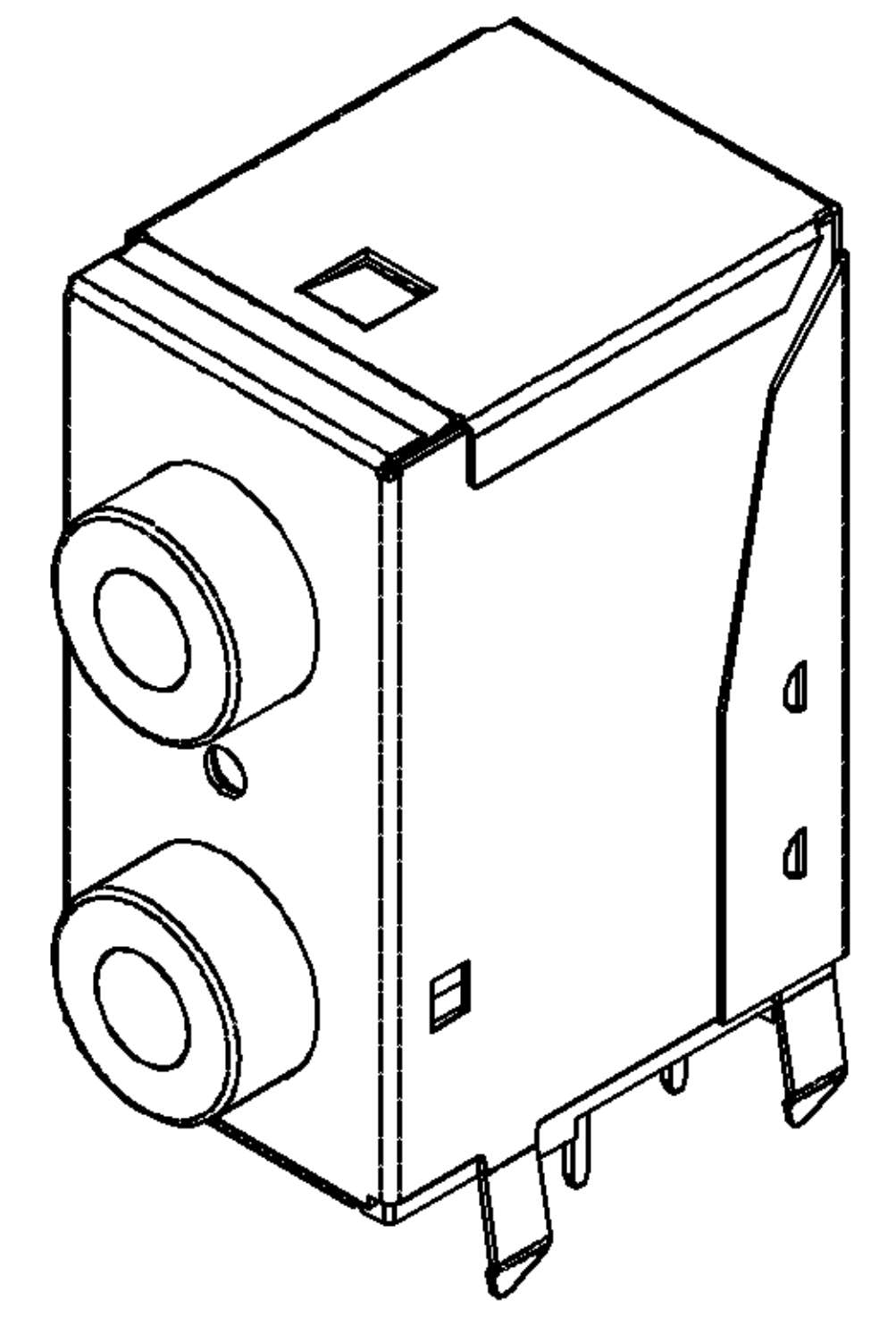


TYCO LOGO & DATE CODE

- NOTES:
- MATERIAL:
 - HOUSING: THERMOPLASTIC HIGH TEMP., WITH 30% GLASS FIBER, UL 94V-0 RATED, COLOR: SEE TABLE.
 - SPACER: THERMOPLASTIC HIGH TEMP., WITH 30% GLASS FIBER, UL 94V-0 RATED, COLOR: BLACK.
 - CONTACTS: PHOSPHOR BRONZE, THICKNESS=0.3mm.
 - GROUND: BRASS, THICKNESS=0.5mm.
 - FRONT SHIELD: SPCC, THICKNESS=0.3mm.
 - REAR SHIELD: SPCC, THICKNESS=0.3mm.
 - FINISH:
 - CONTACT: 30μm MIN. GOLD PLATED ON CONTACT AREA. GOLD FLASH UNDERPLATED OVERALL.
 - GROUND: 30μm MIN. GOLD PLATED AREA. GOLD FLASH UNDERPLATED OVERALL.
 - FRONT SHIELD: 120μm MIN. NICKEL PLATING OVER 100μm MIN. Cu.
 - REAR SHIELD: 120μm MIN. NICKEL PLATING OVER 100μm MIN. Cu.
 - WAVE SOLDER CAPABLE TO 265°C PER TYCO SPEC 109-202, CONDITION B.



SCHEMATIC



RECOMMENDED P.C.B. LAYOUT (THICKNESS=2.0mm)
TOP VIEW (TOLERANCE± 0.05)

PART	GRAY	BLACK	3-1734041-6
	ORANGE	GREEN	3-1734041-5
	BLACK	BLACK	3-1734041-4
	PINK/701C	LIME/577C	3-1734041-3
	LIME/577C	BLUE/284C	3-1734041-2
	BLUE/284C	PINK/701C	3-1734041-1
HSG MATERIAL	JACK B	JACK A	PART NUMBER
HOUSING COLOR			

TOLERANCES UNLESS OTHERWISE SPECIFIED:	DWN	O. HU	TYCO HOLDINGS (BERMUDA) VII LTD. TAIWAN BRANCH	
0 PLC ±0.50		07-FEB-2006	NAME	
1 PLC ±0.35	CHK	S. HOU		
2 PLC ±0.25		07-FEB-2006	AUDIO JACK DUAL STACKED CONNECTOR	
3 PLC ±0.10	APVD	WJ. KE		
ANGLES ±3'		07-FEB-2006	LOC DW A ₃ DRAWING NO C-1734041 REV B	
MATERIAL	SEE NOTE	PRODUCT SPEC 108-57516		
FINISH	SEE NOTE	APPLICATION SPEC 501-57589	SCALE	
		WEIGHT 10 gram	SHEET 3 OF 4	

LTR	SEE SHEET 1.	ECN	DWN	CHK	DATE
	REVISION RECORD				

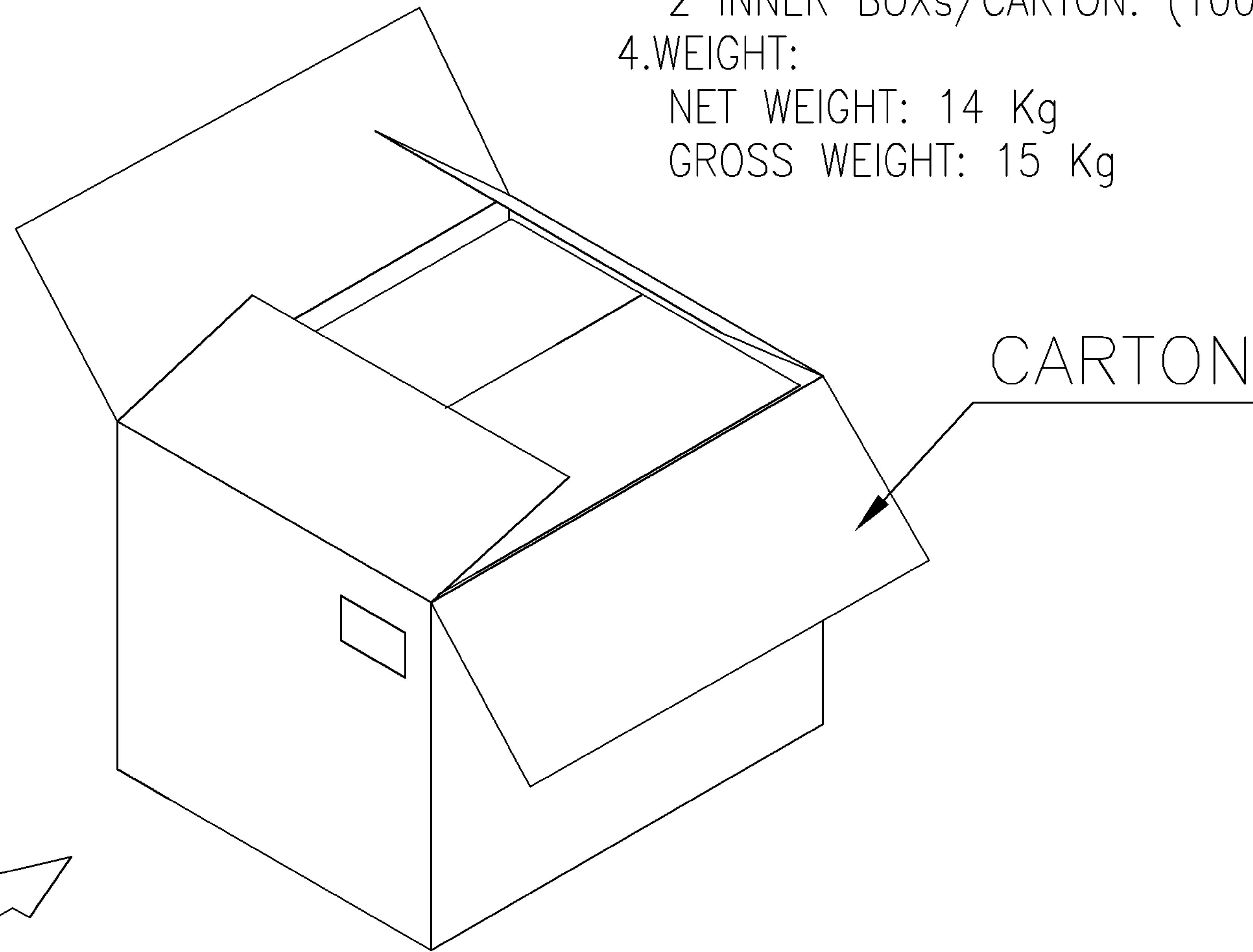
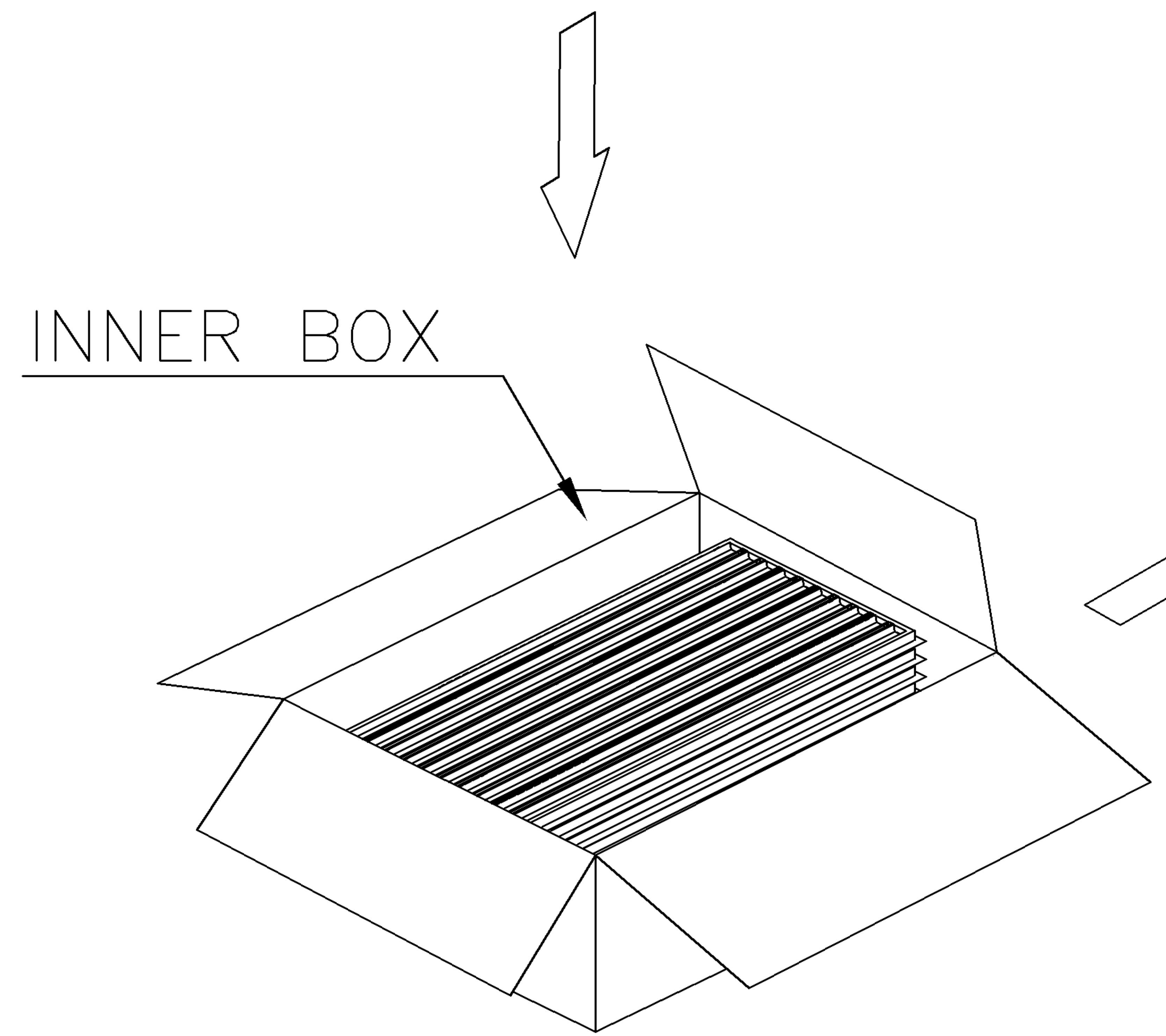
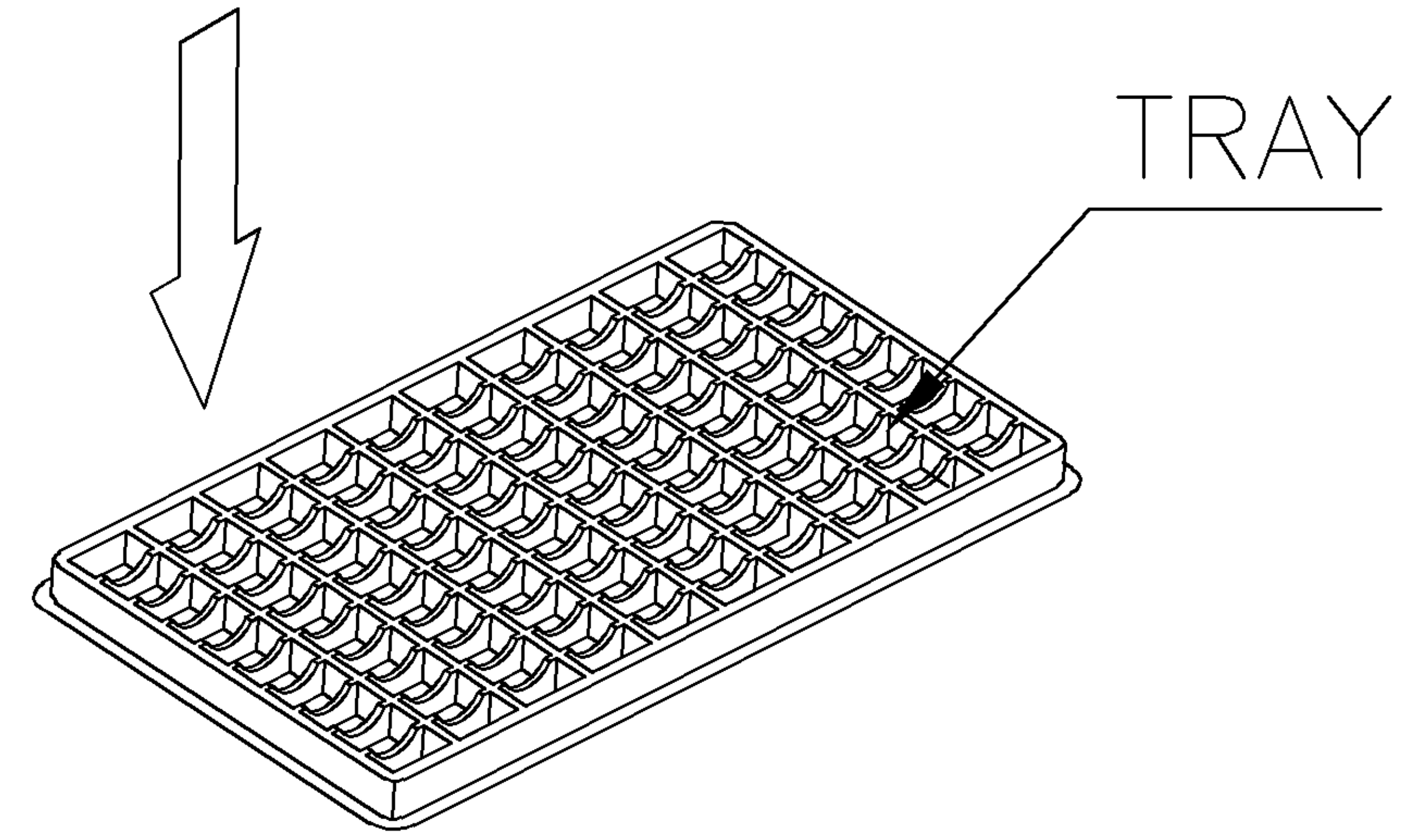
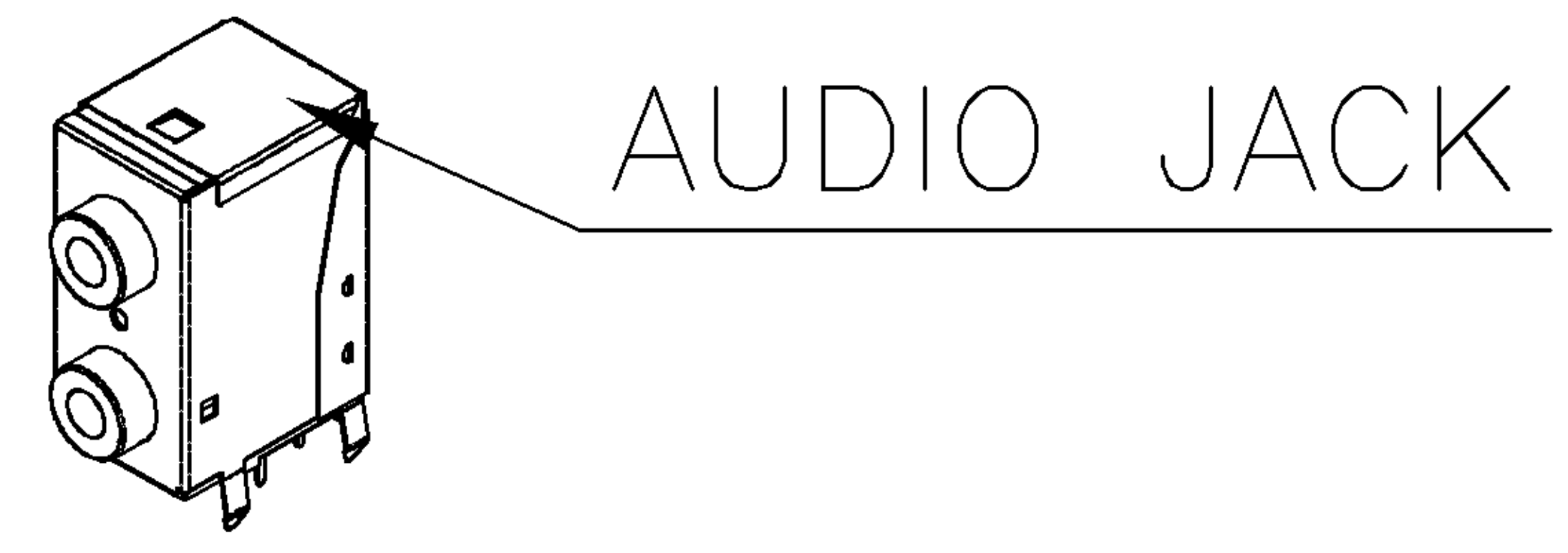
NUMBER
C-1734041

3RD ANGLE PROJECTION

METRIC

THIS INFORMATION IS CONFIDENTIAL AND IS DISCLOSED TO YOU ON CONDITION THAT NO FURTHER DISCLOSURE IS MADE BY YOU TO OTHER THAN AMP PERSONNEL WITHOUT WRITTEN AUTHORIZATION FROM AMP (TAIWAN) LTD. DIMENSIONS IN MILLIMETERS. DO NOT SCALE PRINT.

PRINT DIST
DW



NOTE:

- 1.MATERIAL:
TRAY: PVC
- 2.DIMENSION:
TRAY: L=330mm, W=270mm, H=16mm
INNER BOX: L=350mm, W=280mm, H=145
CARTON : L=370mm, W=302mm, H=305mm
- 3.QUANTITY:
100 PCS/TRAY
5 TRAYs/INNER BOX: (500 PCS)
2 INNER BOXs/CARTON: (1000 PCS)
- 4.WEIGHT:
NET WEIGHT: 14 Kg
GROSS WEIGHT: 15 Kg

8 7 6 5 4 3 2 1

LTR	SEE SHEET 1.	ECN	DWN	CHK	DATE
	REVISION RECORD				

TOLERANCES UNLESS OTHERWISE SPECIFIED:		DWN	O. HU	tyco TYCO HOLDINGS (BERMUDA) Electronics VII LTD. TAIWAN BRANCH
0 PLC ±			07-FEB-2006	
1 PLC ±		CHK	S. HOU	NAME
2 PLC ±			07-FEB-2006	
3 PLC ±				AUDIO JACK DUAL STACKED CONNECTOR
ANGLES ±				
MATERIAL	SEE NOTE	APVD	WJ. KE	LOC SIZE DRAWING NO REV DW A ₃ C-1734041 B
			07-FEB-2006	
FINISH	SEE NOTE	PRODUCT SPEC	-	SCALE SHEET -- 4 OF 4
		APPLICATION SPEC	-	
		WEIGHT	-	

CUSTOMER DRAWING