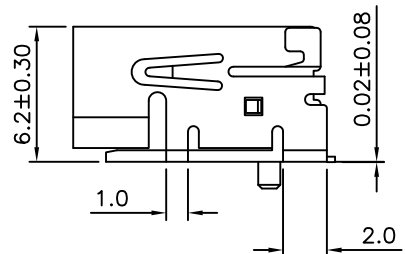
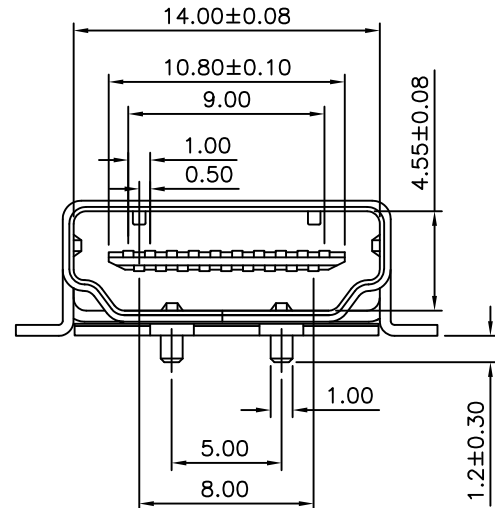
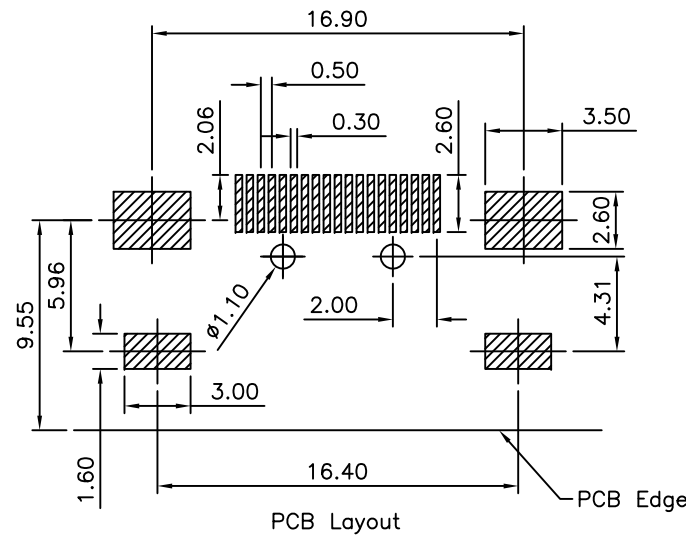
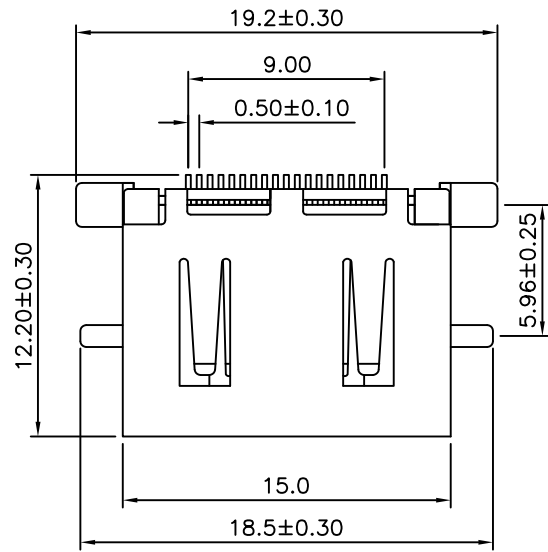


SPECIFICATIONS

Rating Current: 0.5A
 Rating Voltage: 40V
 Contact Ristance: 30 Milliohms Max.
 Insulation Resistance:
 Unmated: 100 Megohms Min. At 500 VDC.
 Mated: 10 Megohms Min. At 150 VDC
 Dielectric Withstanding Voltage: 300V AC/1Minute
 Operating Temperature: -20°C~+85°C
 Storage Temperature: -20°C~+65°C
 Operation/Storage Humidity: 95% Or Less
 Insertion Force: 44.1N(Max)
 Extroction Force: 9.8N(Min): 39.2(Max)
 Moting Cycle: 5000 Cycles
 Contact Pull Out Force: 2.94N/Pin(Min)
 Housing: Glass Filled Heat-Resistedresin UL 94V-0,Black.
 Shield: Copper Alloy 0.5T,Nickel Plated
 Contact: Copper Alloy 0.25T,
 Gold Plating Over Nickel On Contact Area
 Tin Plating On Terminal.



AUK A MEMBER OF AUK GROUP
太聯事業股份有限公司
AUK CONTRACTORS CO., LTD.

CATEGORY		APPROVED BY		UNLESS OTHERWISE SPECIFIED TOLERANCES ARE .X ±0.25 .XX ±0.13 ANG ±3°
PART No. HDM19SWP-L4		MEI		
DRAWING No. HDM19SWP-L4		INGRID		
SCALE		REV.		
NONE		A0		UNIT mm

NO.	REV.	REVISIONS	CHK	DATE
△ A0		NEW RELEASE	INGRID	07/10/2007