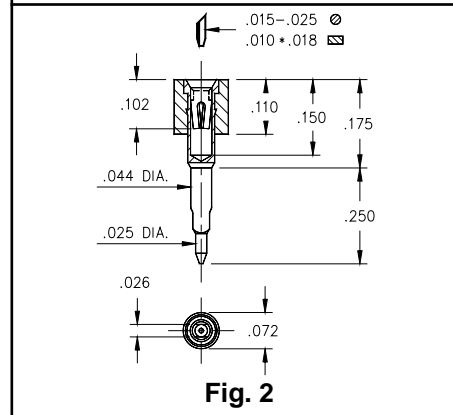


- Unique compliant tail pins conform to the plated thru-hole without stressing the inner layers of a multilayer board.
- Recommended plated thru-hole for 304 series: .036"-.041" use a 1.1mm drill prior to plating. Using M-M# 0477 & 0478 pins.
- For 346 series: .040"±.003" finished plated thru-hole. using M-M# 4612 & 4613 pins. Patent No. 4,799,904.
- Hi-Rel, 4-finger BeCu #30 clip rated at 3 amps. See page 208 for details.

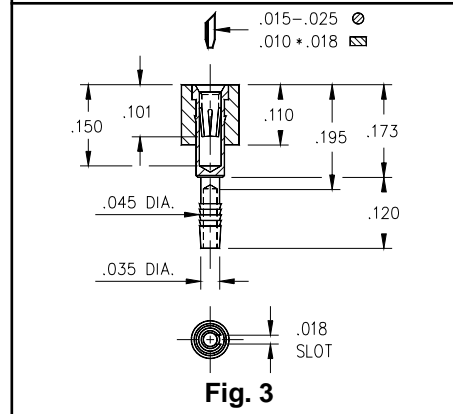


Ordering Information

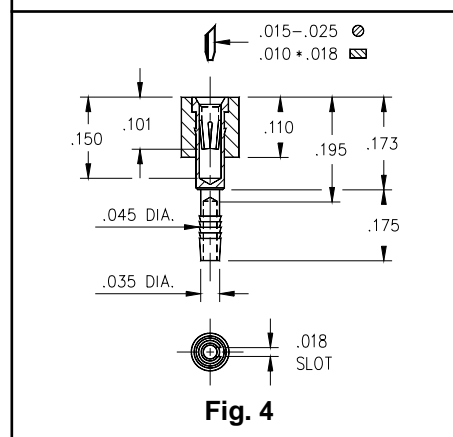


| | |
|--|---------------------------|
| Series 304...770 SOLDERLESS PRESS-FIT | |
| (For .062" Thick Boards) | |
| Fig. 1 | 304-13-1__-41-770 |
| | Specify # of pins → 01-64 |
| Series 304...780 SOLDERLESS PRESS-FIT | |
| (For .125" Thick Boards) | |
| Fig. 2 | 304-13-1__-41-780 |
| | Specify # of pins → 01-64 |

Series 304...770 and 304...780 are available in plating code 13 only.



| | |
|--|---------------------------|
| Series 346...012 COMPLIANT SOLDERLESS PRESS-FIT | |
| (For .060-.100" Thick Boards) | |
| Fig. 3 | 346-XX-1__-41-012 |
| | Specify # of pins → 01-64 |



| | |
|--|---------------------------|
| Series 346...013 COMPLIANT SOLDERLESS PRESS-FIT | |
| (For .090-.130" Thick Boards) | |
| Fig. 4 | 346-XX-1__-41-013 |
| | Specify # of pins → 01-64 |

*XX= Plating Code
See Below*

| | | | | |
|--------------------------|-----------|--|-------------|-------------|
| SPECIFY PLATING CODE XX= | 13 | | 93 | 99 |
| Sleeve (Pin) | 10µ" Au | | 200µ" Sn/Pb | 200µ" Sn/Pb |
| Contact (Clip) | 30µ" Au | | 30µ" Au | 200µ" Sn/Pb |