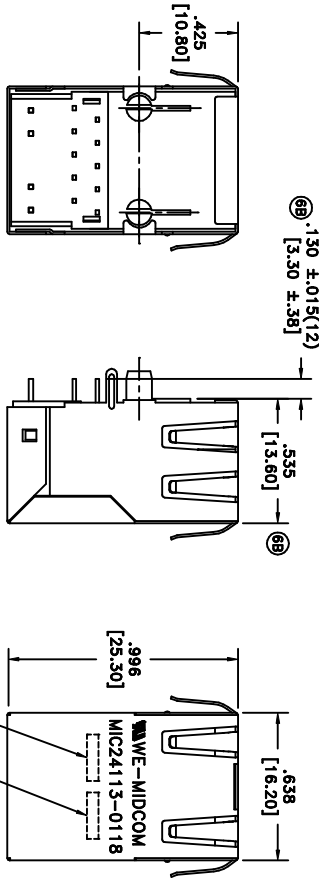
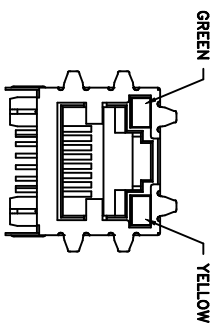


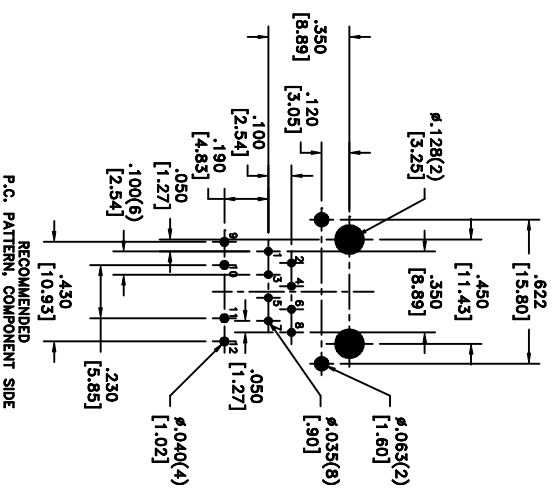
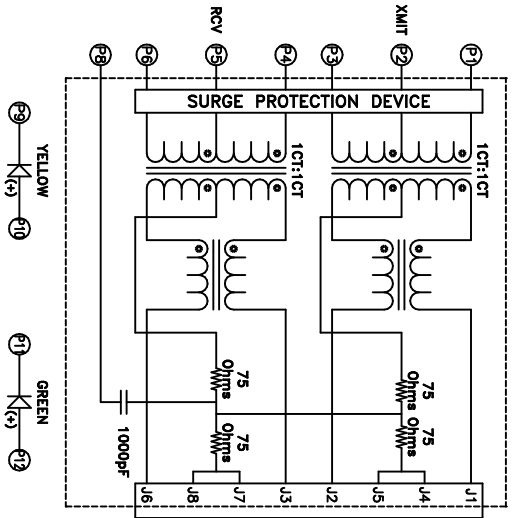
SOLDER SUFFIX	CUSTOMER TERMINAL	RoHS	LEAD(Pb)-FREE
LF3	SN100X	Yes	Yes



LOT CODE & DATE CODE
SOLDER SUFFIX

ELECTRICAL SPECIFICATIONS @ 25°C unless otherwise noted:

- INDUCTANCE: 350µH min., 100kHz, 100mV, 6mA DC, J1-J2; J3-J6, 1µ.
- DIELECTRIC RATING: 1500Vrms for 1 minute between P1-J1 (tie P1+P4).
- TURNS RATIO/POLARITY: (P1-P3):(J1-J2) = 1:1, ±2%.
(P4-P6):(J3-J6) = 1:1, ±2%.
- INSERTION LOSS: -1.0dB max., 1MHz - 100MHz.
- RETURN LOSS: -18dB min., 1M - 30MHz.
-16dB min., 30M - 45MHz.
-14dB min., 45M - 60MHz.
-12dB min., 60M - 80MHz.
- CROSSTALK: -35dB min., 1MHz - 100MHz.
- COMMON MODE REJECTION: -35dB min., 1MHz - 100MHz.
- OPERATING TEMPERATURE RANGE: 0°C to +70°C.



RECOMMENDED
P.C. PATTERN, COMPONENT SIDE

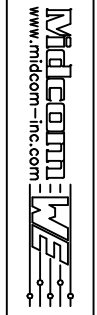
REV.	DATE

6A	12/06
6B	5/08

Packaging Specifications
Method: Tube
PKG-0549
www.midcom-inc.com

Unless otherwise specified:
Tolerances: Fractions: ±1/64
Angles: ±1° Decimals: ±.010[.25]
This drawing is dual dimensioned. Dimensions in brackets are in millimeters.

DRAWING TITLE
TRANSFORMER
10/100Base-T



DRAWING NO. MIC24113-0118T-LF3
SCALE ---
SHEET 2 OF 6

AGENCY NUMBER	UL60950-1
AGENCY NUMBER	E205930