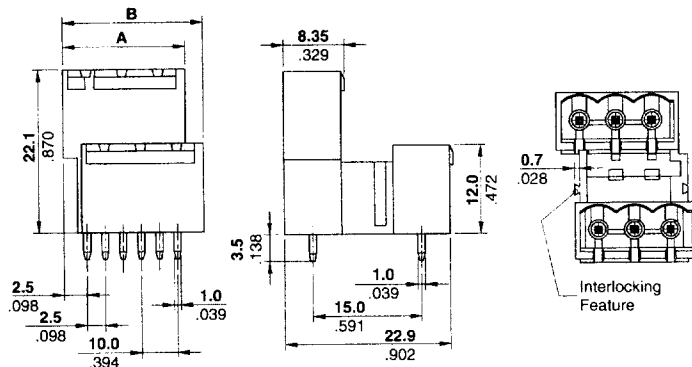
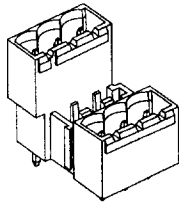
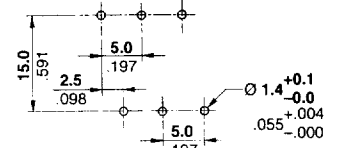


### Two-Piece Terminal Block Connectors

**Vertical Closed End  
Double Row Header  
5.0mm Centerline  
Color – Gray  
UL Rating – 300 V, 12 A**



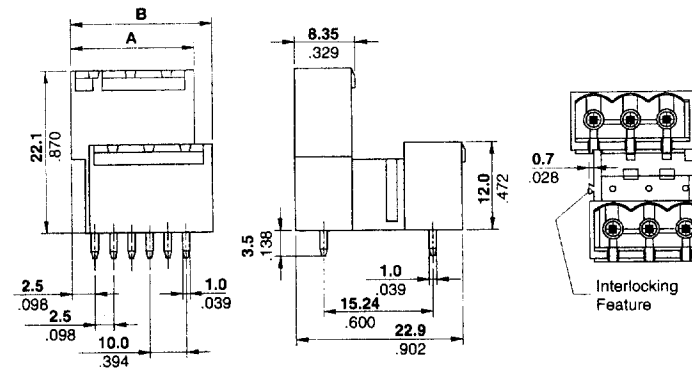
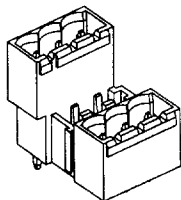
**Recommended PC Board Layout**



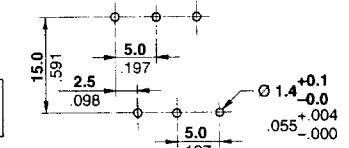
Number of Positions	Dim.		Part Numbers
	A	B	
2	12.0 [0.472]	14.5 [0.571]	284064-2
3	17.0 [0.669]	19.5 [0.768]	284064-3
4	22.0 [0.866]	24.5 [0.965]	284064-4
5	27.0 [1.063]	29.5 [1.161]	284064-5
6	32.0 [1.260]	34.5 [1.358]	284064-6
7	37.0 [1.457]	39.5 [1.555]	284064-7
8	42.0 [1.654]	44.5 [1.752]	284064-8
9	47.0 [1.850]	49.5 [1.949]	284064-9
10	52.0 [2.047]	54.5 [2.146]	1-284064-0
11	57.0 [2.244]	59.5 [2.343]	1-284064-1
12	62.0 [2.441]	64.5 [2.539]	1-284064-2
13	67.0 [2.638]	69.5 [2.736]	1-284064-3

Number of Positions	Dim.		Part Numbers
	A	B	
14	72.0 [2.835]	74.5 [2.933]	1-284064-4
15	77.0 [3.031]	79.5 [3.130]	1-284064-5
16	82.0 [3.228]	84.5 [3.327]	1-284064-6
17	87.0 [3.425]	89.5 [3.524]	1-284064-7
18	92.0 [3.622]	94.5 [3.720]	1-284064-8
19	97.0 [3.819]	99.5 [3.917]	1-284064-9
20	102.0 [4.016]	104.5 [4.114]	2-284064-0
21	107.0 [4.213]	109.5 [4.311]	2-284064-1
22	112.0 [4.409]	114.5 [4.508]	2-284064-2
23	117.0 [4.606]	119.5 [4.705]	2-284064-3
24	122.0 [4.803]	124.5 [4.902]	2-284064-4
25	127.0 [5.000]	129.5 [5.098]	2-284064-5

**Vertical Closed End  
Double Row Header  
5.08mm Centerline  
Color – Gray  
UL Rating – 300 V, 12 A**



**Recommended PC Board Layout**



Number of Positions	Dim.		Part Numbers
	A	B	
2	12.20 [0.480]	14.74 [0.580]	284065-2
3	17.28 [0.680]	19.82 [0.780]	284065-3
4	22.36 [0.880]	24.90 [0.980]	284065-4
5	27.44 [1.080]	29.98 [1.180]	284065-5
6	32.52 [1.280]	35.06 [1.380]	284065-6
7	37.60 [1.480]	40.14 [1.580]	284065-7
8	42.68 [1.680]	45.22 [1.780]	284065-8
9	47.76 [1.880]	50.30 [1.980]	284065-9
10	52.84 [2.080]	55.38 [2.180]	1-284065-0
11	57.92 [2.280]	60.46 [2.380]	1-284065-1
12	63.00 [2.480]	65.54 [2.580]	1-284065-2
13	68.08 [2.680]	70.62 [2.780]	1-284065-3

Number of Positions	Dim.		Part Numbers
	A	B	
14	72.0 [2.835]	74.5 [2.933]	1-284065-4
15	77.0 [3.031]	79.5 [3.130]	1-284065-5
16	82.0 [3.228]	84.5 [3.327]	1-284065-6
17	87.0 [3.425]	89.5 [3.524]	1-284065-7
18	92.0 [3.622]	94.5 [3.720]	1-284065-8
19	97.0 [3.819]	99.5 [3.917]	1-284065-9
20	102.0 [4.016]	104.5 [4.114]	2-284065-0
21	107.0 [4.213]	109.5 [4.311]	2-284065-1
22	112.0 [4.409]	114.5 [4.508]	2-284065-2
23	117.0 [4.606]	119.5 [4.705]	2-284065-3
24	122.0 [4.803]	124.5 [4.902]	2-284065-4
25	127.0 [5.000]	129.5 [5.098]	2-284065-5

For complete product information, order Catalog 1308389