

## FEATURES AND SPECIFICATIONS

### Features and Benefits

- Preloaded contact assures low insertion force-to-normal force ratio
- Covered PC leads reduce contamination during soldering operation
- High-temperature plastic housing—SMT compatible

### Reference Information

Product Specification: PS-71350A  
 Packaging: Tray  
 Tooling Information: See end of section  
 UL File No.: E29179  
 CSA File No.: LR19980  
 Designed In: Inches

### Electrical

Voltage: 30V  
 Current: 1.5A  
 Contact Resistance: 10mΩ max.  
 Dielectric Withstanding Voltage: 1000V AC rms

### Electrical (cont'd)

Insulation Resistance: 500 MΩ min.  
 Shielding Effectiveness: 30 to 500 MHz—20 dB min.  
 500 MHz to 1 GHz—10 dB min.  
 Electrostatic Discharge Protection: 20kV min.

### Mechanical

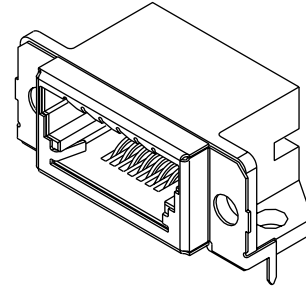
Mating Force: 1.4 lb  
 Unmating Force: 1.3 lb  
 Normal Force: 100g min.  
 Durability: 500 cycles min.

### Physical

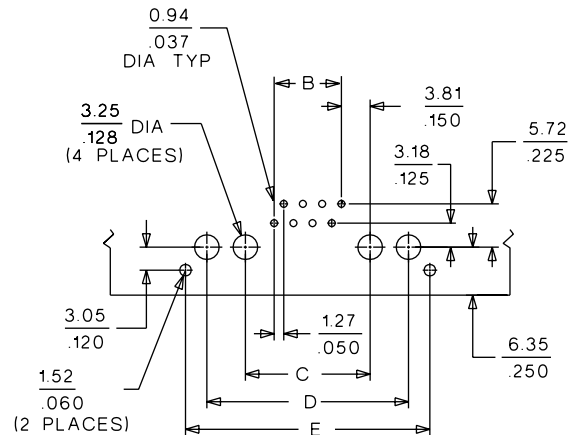
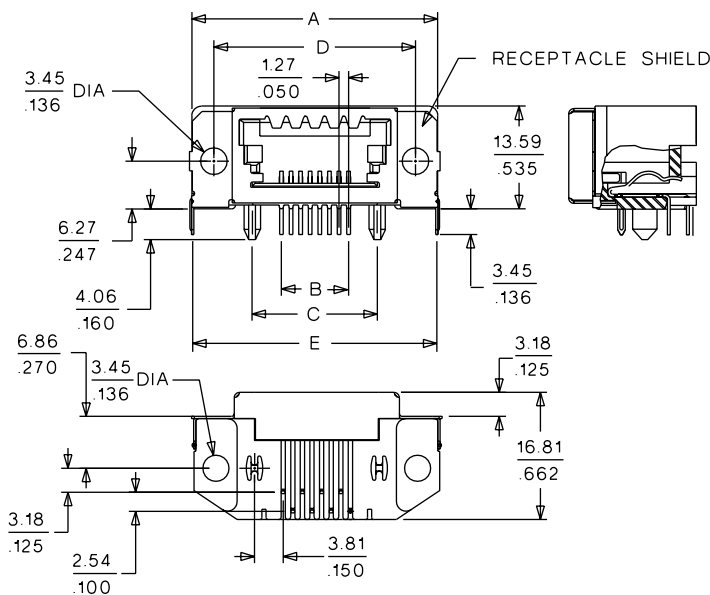
Housing: Black SMT-compatible thermoplastic, UL 94V-0  
 Contact: Phosphor Bronze  
 Plating: 50μ" select Gold in contact area, Tin/Lead on solder tails, both over Nickel plate  
 Shields: Brass with Tin-over-Nickel plate  
 Operating Temperature: -20 to +80°C  
 Wire Accommodation: 24 to 28 AWG foil-shielded flat, round and retractile cable

# molex<sup>®</sup> SEMCONN<sup>™</sup> Shielded Receptacle

## 71355 Right Angle with PCB Ground Tab



## CATALOG DRAWING (FOR REFERENCE ONLY)



RECOMMENDED P.C.B. LAYOUT  
RECEPTACLE SIDE SHOWN

I/O Connectors

## ORDERING INFORMATION AND DIMENSIONS

Circuits	Order No.			Dimension				
	Non-Keyed Version	Keying Option 1	Keying Option 2	A	B	C	D	E
4	• 15-83-0304*	• 15-83-0334	• 15-83-0354	27.43 (1.080)	3.81 (.150)	11.43 (.450)	21.59 (.850)	27.25 (1.073)
6	• 15-83-0306*	• 15-83-0336	• 15-83-0356	29.97 (1.180)	6.35 (.250)	13.97 (.550)	24.13 (.950)	29.79 (1.173)
8	• 15-83-0308*	• 15-83-0338	• 15-83-0358	32.51 (1.280)	8.89 (.350)	16.51 (.650)	26.67 (1.050)	32.33 (1.273)
16	• 15-83-0316*	• 15-83-0346	• 15-83-0366	42.67 (1.680)	19.05 (.750)	26.67 (1.050)	36.83 (1.450)	42.49 (1.673)

\* US Standard Product, available through Molex franchised distributors

\* Industry compatible