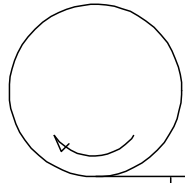
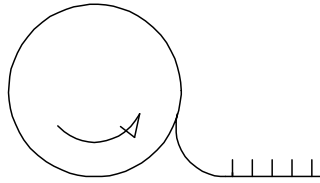


FINISH NOTES:

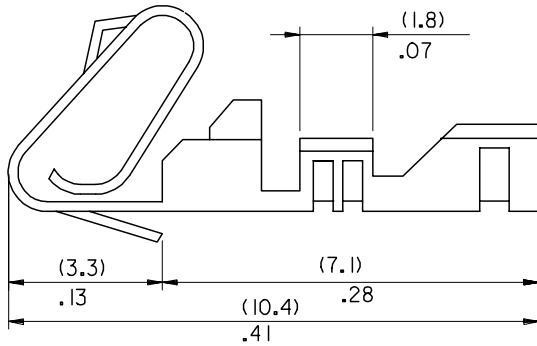
- (999)- UNPLATED
- (P902)- HOT TIN DIP 1.0-2,5 UM(.000040"-.000100").
- (102)- ELECTRO TIN PLATE (0.005/.0002 MIN OVER (0.003)/.00013 MIN COPPER(POST-PL).



'A' WINDING REEL
PER ES 339



'B' WINDING REEL
PER ES 339



NOTES:

1. SAME AS SD-4809-* EXCEPT CAT EARS
2. FOR 22-30 GA. WIRE &.062 DIA.MAX. INSULATION.
3. THIS PART CONFORMS TO MOLEX PROD.SPEC.99020-0088

| | | | | |
|---------------------------------------|---------------|-------|------------------|----------------|
| 08-50-0033 | 4809C-(102) | CHAIN | (102) | (2.1)/.083 REF |
| 08-50-0034 | 4809C-(102)L | LOOSE | (102) | (2.1)/.083 REF |
| 08-50-0030 | 4809C-(P902)M | CHAIN | (P902) | (2.2)/.087 REF |
| 08-50-0031 | 4809C-(P902) | CHAIN | (P902) | (2.1)/.083 REF |
| 08-50-0032 | 4809C-(P902)L | LOOSE | (P902) | (2.1)/.083 REF |
| 97-00-0450 | 4809C-(999) | CHAIN | (999) | (2.1)/.083 REF |
| 97-00-0451 | 4809C-(999)L | LOOSE | (999) | (2.1)/.083 REF |
| PART No | ENG No | FORM | SEE FINISH NOTES | DIM . A |
| 'B' WINDING PER E.S. 339 (CHAIN ONLY) | | | | |

| | | | | |
|--------------------------|----------------|-------|------------------|----------------|
| 97-00-0001 | 4809C-(P914)BF | CHAIN | (P902) | (2.1)/.083 REF |
| PART No | ENG No | FORM | SEE FINISH NOTES | DIM . A |
| 'A' WINDING PER E.S. 339 | | | | |

MATERIAL: (0.20±0.01)/,008 ±0.0004 TH'K BRASS.
ALLOY 260: TENSILE: 85-95M PSI

| | | | | | | | | | |
|---|-------------------------------|---------------------------------------|-----------|--------------------------|---|---|------------------------|--|--|
| ADDED PART OPTION EC NO: E2005-0286 DRAWN: GMSWEEN 2004/11/03 CHKD: DMOR IART 2004/11/03 APPR: JDENNEY 2004/11/04 | QUALITY SYMBOLS ▽=0 ▽=0 | GENERAL TOLERANCES (UNLESS SPECIFIED) | | DIMENSION STYLE MM/IN | SCALE NTS | DESIGN UNITS METRIC | THIRD ANGLE PROJECTION | | |
| | | | | mm | INCH | | | | |
| | | 4 PLACES | ± --- | ± --- | | DRAWN BY AOD | DATE 1999/02/20 | TITLE ANTI FISH HOOKING TERMINAL KK,(2.50)/.100 WITH CAT EARS | |
| | | 3 PLACES | ± --- | ± .010 | | CHECKED BY DMOR IART | DATE 2004/10/18 | | |
| 2 PLACES | ± 0.25 | ± .020 | | APPROVED BY JDENNEY | DATE 2004/10/19 | MOLEX INCORPORATED DOCUMENT NO. SD-4809C-(***)* | | | |
| 1 PLACE | ± 0.51 | ± --- | | MATERIAL NO. | | | | SHEET NO. 1 OF 1 | |
| DRAFT WHERE APPLICABLE MUST REMAIN WITHIN DIMENSIONS | | | SEE CHART | | THIS DRAWING CONTAINS INFORMATION THAT IS PROPRIETARY TO MOLEX INCORPORATED AND SHOULD NOT BE USED WITHOUT WRITTEN PERMISSION | | | | |