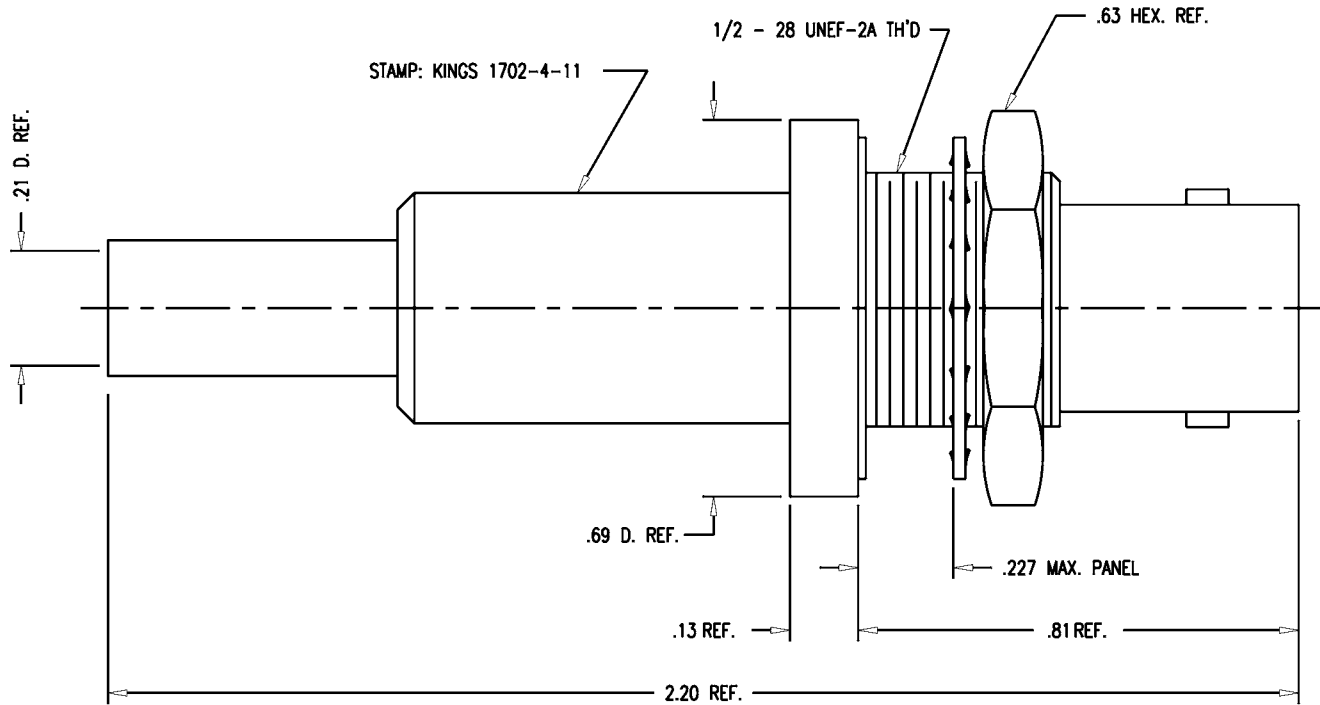


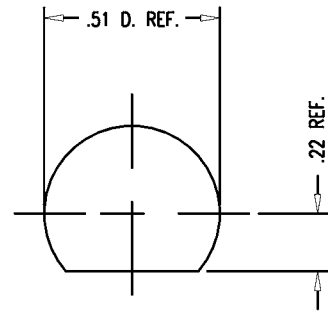
# GSD

1702-4-11



**NOTES:**

1. FOR USE WITH LASL TYPE C 9Y19503 CABLE.
2. FOR CABLING INSTRUCTIONS SEE CP-441.
3. FOR CRIMPING USE DIE KTH-2001.
4. INTERFACE PER MIL-STD-348, FIG. 314-1.
5. MATERIALS:  
 INSULATOR: REXOLITE, L-P-516  
 LOCKWASHER: PHOSPHOR BRONZE, QQ-B-750  
 GASKET: SILICONE RUBBER, ZZ-R-765  
 ALL OTHER METAL PARTS: BRASS, ASTM-B16
6. FINISHES:  
 CENTER CONTACT: GOLD PLATE, PER MIL-G-45204  
 ALL OTHER METAL PARTS: KINGS TARNISH RESISTANT NICKEL FINISH (TR-5)
7. ELECTRICAL CHARACTERISTICS:  
 OPERATING VOLTAGE: 3500 VOLTS AC  
 5000 VOLTS DC



# GSD

**REVISIONS**

ISSUE	CHANGES
0	ER 36944 KH 04/29/96

KAM6584

SCALE 4:1	
APPROX SURFACE AREA	
USED ON	
REF:	
JACK, BULKHEAD, SHV	
DRAWN KH	DATE 04/29/96
DESIGN AR	DATE 04/30/96
APPR.	DATE

**KINGS**  
ELECTRONICS CO., INC.  
TUCKAHOE, NEW YORK 10707

1702-4-11