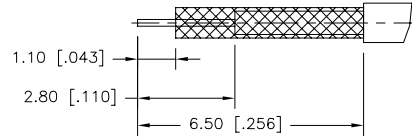
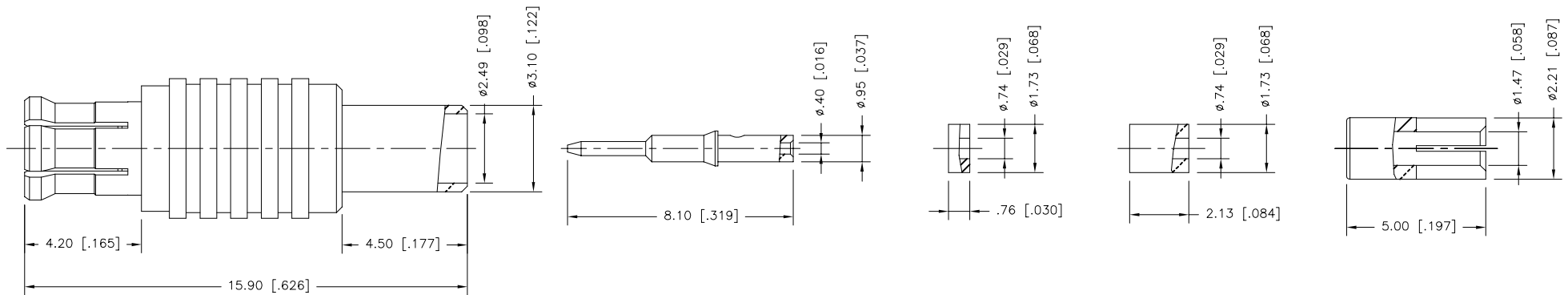


REV.	DATE	ECR NO.	DESCRIPTION
NC	06/01/09	XXXXXX	INITIAL RELEASE



RECOMMENDED  
CABLE STRIPPING DIM'S



NOTES:

1. CRIMPED FERRULE  
HEX CRIMP SIZE .105"
2. CRIMPED CONTACT PIN  
SQ. CRIMP SIZE 0.7 mm

QTY	FINISH	MATERIAL	DESCRIPTION
1	GOLD	BRASS	BODY
1	NATURAL	PTFE	INSULATOR
1	GOLD	BRASS	HOUSING
1	GOLD	BRASS	CONTACT
1	NATURAL	PTFE	INSULATOR
1	GOLD	BRASS	SLEEVE
1	GOLD	BRASS	INNER FERRULE
QTY	FINISH	MATERIAL	DESCRIPTION

UNLESS OTHERWISE SPECIFIED DIMENSIONS ARE IN MILLIMETERS. DIMENSIONS IN [ ] ARE IN INCHES AND FOR CUSTOMER REFERENCE ONLY.		APPROVALS	DATE	<h1>Amphenol Connex</h1> <p>MCX CRIMP PLUG (FOR 1.32 MM CABLE)</p>
UNLESS OTHERWISE SPECIFIED TOLERANCES FOR MILLIMETERS ARE: 0.5 - 8mm ± 0.20mm 8 - 30mm ± 0.40mm 30 - 120mm ± 0.50mm		DRAWN J.CHENG	06/01/09	
UNLESS OTHERWISE SPECIFIED TOLERANCES FOR INCHES ARE: .020 - .315 = ± 0.007" .315 - 1.180 = ± 0.015" 1.180 - 4.724 = ± 0.020"		CHECKED		
DO NOT SCALE DRAWING		ISSUED		
		SHEET 1 OF 1		
		CAD FILE C:/CONNEX/252198.DWG		PART NO. 252198
				DWG. NO. 252198.DWG
				REV. NC
				SIZE A
				SCALE NA