

REV.	DESCRIPTION	DATE	BY
C	SEE ECO GM-10819	12/17/99	CGA

MATERIAL AND FINISH

PLUG HOUSING AND
COUPLING NUT:

CRES 303 PER ASTM A 484
AND ASTM A 582 OR ASTM A 555
AND ASTM A 581. PASSIVATE PER
MIL-F-14072 E300.

CENTER CONTACT AND
OUTER CONDUCTOR:

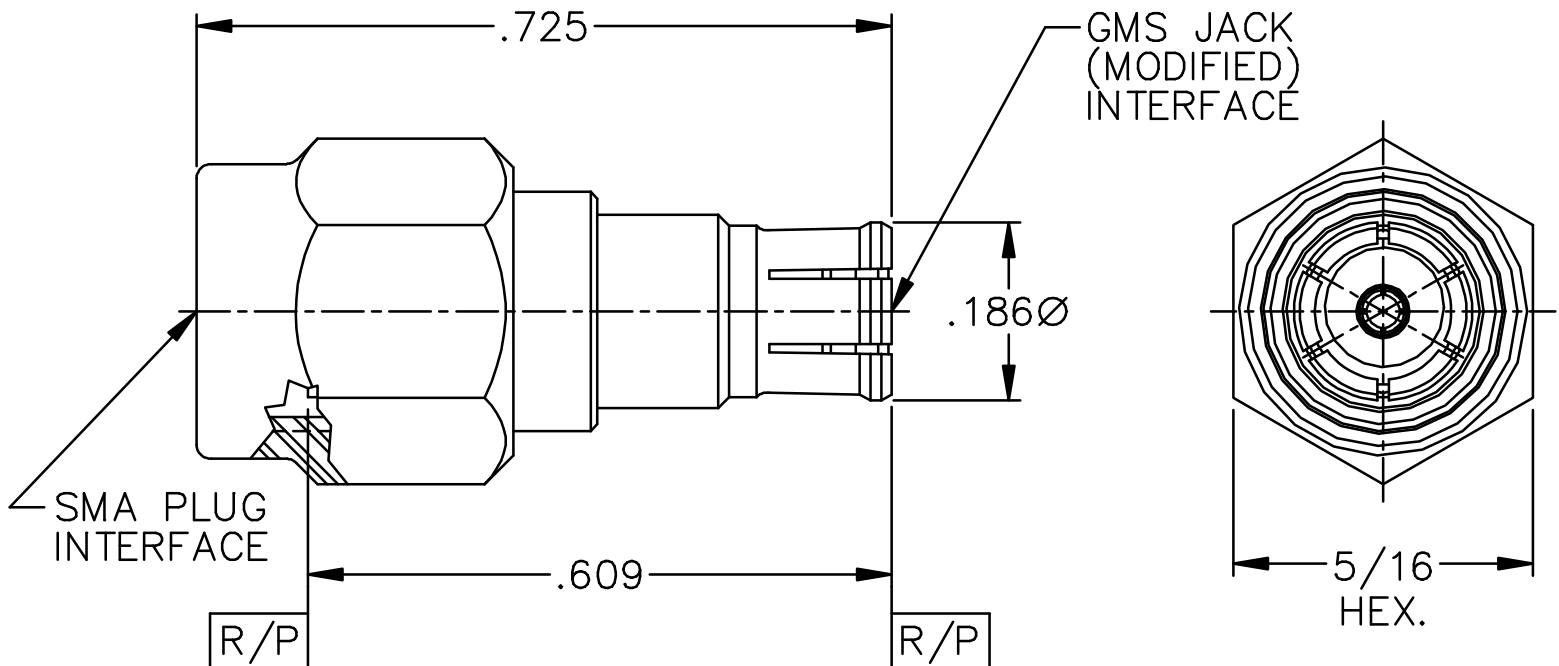
BERYLLIUM COPPER PER ASTM
B 196 AND/OR ASTM B 197.
GOLD PLATE PER MIL-G-45204;
TYPE 1, GRADE C, CLASS 1.
OVER NICKEL PER QQ-N-290A;
CLASS 1; 50 MICRONS MIN.

DIELECTRICS:

VIRGIN PTFE FLUOROCARBON PER
ASTM D 1710 AND ASTM D 1457.

RETAINING RING:

BERYLLIUM COPPER PER ASTM
B 196 AND/OR ASTM B 197.



This drawing and any data contained therein is the property of Gilbert Engineering Co. Inc., and constitutes and contains proprietary and confidential information. Neither receipt nor possession of this drawing confers or transfers any right to duplicate, use or disclose any information contained herein except as expressly authorized by Gilbert Engineering Co. Inc.		ALL DIMENSIONS IN INCHES		CATALOG NUMBER 00218-201-3	CODE IDENT NO. 82316	
		DRAWN:	GILBERT ENGINEERING CO., INC.			
		DES	TITLE OUTLINE DRAWING FOR SMA PLUG TO GMS (MODIFIED) JACK 38999 ADAPTOR			
		DATE	1/21/92			
ASSEMBLY PROCEDURES: NONE		1/21/92		DWG. NO. OL-00218-201-3		
SOURCE FILE: MECR# 622	SHT. 1	OF 1	REV C			