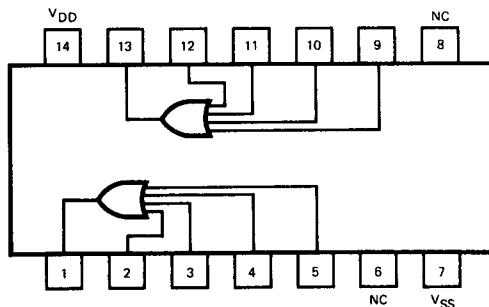


4072B

DUAL 4-INPUT OR GATE

DESCRIPTION – This CMOS logic element provides the positive Dual 4-Input OR function. The outputs are fully buffered for highest noise immunity and pattern insensitivity of output impedance.

**LOGIC AND CONNECTION DIAGRAM
DIP (TOP VIEW)**



NOTE: The Flatpak version has the same pinouts (Connection Diagram) as the Dual In-line Package.

DC CHARACTERISTICS: V_{DD} as shown, $V_{SS} = 0$ V (See Note 1)

SYMBOL	PARAMETER	LIMITS									UNITS	TEMP	TEST CONDITIONS	
		$V_{DD} = 5$ V			$V_{DD} = 10$ V			$V_{DD} = 15$ V						
		MIN	TYP	MAX	MIN	TYP	MAX	MIN	TYP	MAX				
I_{DD}	Quiescent Power	XC			1			2			4	μ A	MIN, 25°C	All inputs at 0 V or V_{DD}
					7.5			15			30		MAX	
	Supply Current	XM			0.25			0.5			1	μ A	MIN, 25°C	
					7.5			15			30		MAX	

AC CHARACTERISTICS: V_{DD} as shown, $V_{SS} = 0$ V, $T_A = 25^\circ$ C (See Note 2)

SYMBOL	PARAMETER	LIMITS									UNITS	TEST CONDITIONS
		$V_{DD} = 5$ V			$V_{DD} = 10$ V			$V_{DD} = 15$ V				
		MIN	TYP	MAX	MIN	TYP	MAX	MIN	TYP	MAX		
t_{PLH}	Propagation Delay		65			30			20		ns	$C_L = 50$ pF, $R_L = 200$ k Ω
t_{PHL}			65			30			20			
t_{TLH}	Output Transition Time		70			35			30		ns	Input Transition Times < 20 ns
t_{THL}			70			35			30			

NOTES:

- Additional DC Characteristics are listed in this section under 4000B Series CMOS Family Characteristics.
- Propagation Delays and Output Transition Times are graphically described in this section under 4000B Series CMOS Family Characteristics.