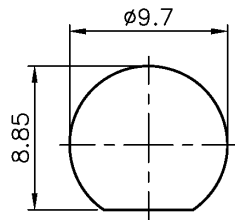


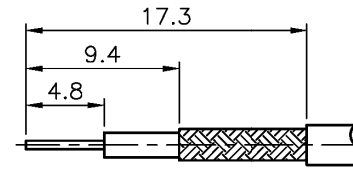
1. CRIMPED FERRULE
HEX CRIMP SIZE .178" (4.52mm)

2. CRIMPED CONTACT PIN
HEX CRIMP SIZE .068" (1.72mm)

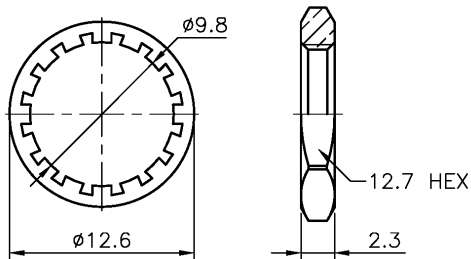
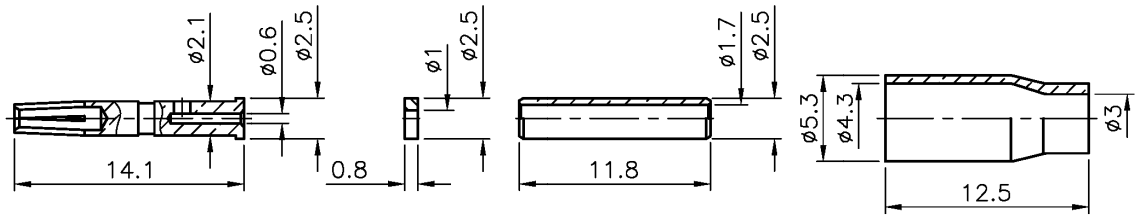
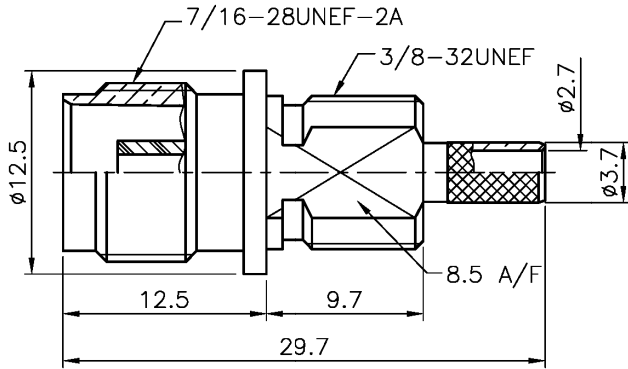
3. MAX. PANEL THICKNESS=6mm



RECOMMENDED MOUNTING HOLE



RECOMMENDED CABLE STRIPPING DIM'S



Name	Material	Finish
Nut	Brass	Nickel PL 70 min thick over copper strike
Washer	SS41	Nickel PL 70 min thick over copper strike
Ferrule	Brass	Nickel PL 70 min thick over copper strike
Spacer	Brass	Nickel PL 70 min thick over copper strike
Spacer	Teflon	White
Contact Pin	Phosphor Bronze	Gold PL 3 min over Nickel ph 70 min thick over Copper strike
Lock Ring	Phosphor Bronze	Nickel PL 70 min thick over copper strike
Insulator	Delrin	White
Body	Brass	Nickel PL 70 min thick over copper strike

RoHS compliant

Rev.	Description	Date	Approved	Drawing	Name	Date
				Approved	Howard	08/31/06
				Checked	Lizzy	08/31/06
				Drawn	Tina	08/31/06
				0.0 ± 0.35	0.00 ± 0.20	Angles ± 3'
				UNIT: mm		

Central Components Manufacturing
 440 Lincoln Blvd., Middlesex, New Jersey 08846
 Phone 732 469-5720 888 288-5152 Fax 732 469-1919

Part No.: **CRF-TNC-7461AS-509CF000-B**

Description: TNC Bulkhead Crimp Jack (for RG-174/U,188A/U,316/U)