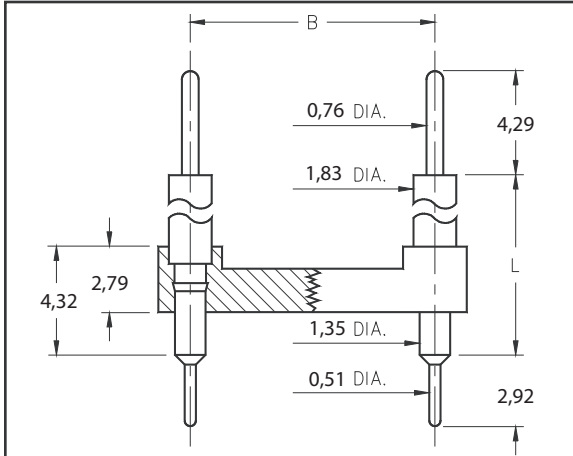
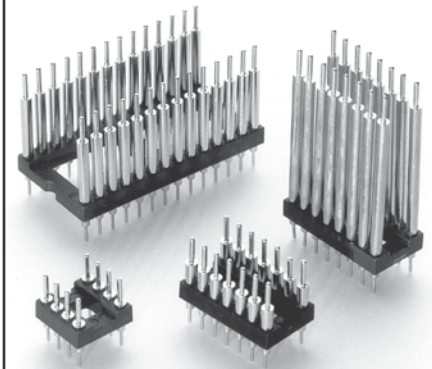


## Interconnect Open Frame



- Series 134 DIL Headers combine 0,76 pins with pluggable 0,51 solder tails (M-M#3402, 3401, 3405, 3400 or 3410). See page 173 for details.
- Used to interconnect PC boards with spacings of 4,83, 5,99, 8,0, 15,37 or 27,18.



### Ordering Information

**XX=Plating Code**  
See Below

For RoHS compliance, select **◇** plating code.  
For the gold option (XX=10) also change part number from 134-XX-XXX-00-XX0000 to 134-10-XXX-00-XX0100



Total number of pins	Pin Spacing			Quantity per tube	Ordering Information					
	A	B	C		L = 4,83	L = 5,99	L = 8,0	L = 15,37	L = 27,18	
10	12,6	5,08	7,6	41	134-XX-210-00-020000	134-XX-210-00-010000	134-XX-210-00-050000	134-XX-210-00-000000	134-XX-210-00-100000	
4	5,0	7,62	10,1	102	134-XX-304-00-020000	134-XX-304-00-010000	134-XX-304-00-050000	134-XX-304-00-000000	134-XX-304-00-100000	
6	7,6	7,62	10,1	67	134-XX-306-00-020000	134-XX-306-00-010000	134-XX-306-00-050000	134-XX-306-00-000000	134-XX-306-00-100000	
8	10,1	7,62	10,1	50	134-XX-308-00-020000	134-XX-308-00-010000	134-XX-308-00-050000	134-XX-308-00-000000	134-XX-308-00-100000	
10	12,6	7,62	10,1	40	134-XX-310-00-020000	134-XX-310-00-010000	134-XX-310-00-050000	134-XX-310-00-000000	134-XX-310-00-100000	
14	17,7	7,62	10,1	28	134-XX-314-00-020000	134-XX-314-00-010000	134-XX-314-00-050000	134-XX-314-00-000000	134-XX-314-00-100000	
16	20,3	7,62	10,1	25	134-XX-316-00-020000	134-XX-316-00-010000	134-XX-316-00-050000	134-XX-316-00-000000	134-XX-316-00-100000	
18	22,8	7,62	10,1	22	134-XX-318-00-020000	134-XX-318-00-010000	134-XX-318-00-050000	134-XX-318-00-000000	134-XX-318-00-100000	
20	25,3	7,62	10,1	20	134-XX-320-00-020000	134-XX-320-00-010000	134-XX-320-00-050000	134-XX-320-00-000000	134-XX-320-00-100000	
22	27,8	7,62	10,1	18	134-XX-322-00-020000	134-XX-322-00-010000	134-XX-322-00-050000	134-XX-322-00-000000	134-XX-322-00-100000	
24	30,4	7,62	10,1	16	134-XX-324-00-020000	134-XX-324-00-010000	134-XX-324-00-050000	134-XX-324-00-000000	134-XX-324-00-100000	
28	35,5	7,62	10,1	14	134-XX-328-00-020000	134-XX-328-00-010000	134-XX-328-00-050000	134-XX-328-00-000000	134-XX-328-00-100000	
20	25,4	10,16	12,7	20	134-XX-420-00-020000	134-XX-420-00-010000	134-XX-420-00-050000	134-XX-420-00-000000	134-XX-420-00-100000	
22	27,8	10,16	12,7	18	134-XX-422-00-020000	134-XX-422-00-010000	134-XX-422-00-050000	134-XX-422-00-000000	134-XX-422-00-100000	
24	30,4	10,16	12,7	16	134-XX-424-00-020000	134-XX-424-00-010000	134-XX-424-00-050000	134-XX-424-00-000000	134-XX-424-00-100000	
28	35,5	10,16	12,7	14	134-XX-428-00-020000	134-XX-428-00-010000	134-XX-428-00-050000	134-XX-428-00-000000	134-XX-428-00-100000	
32	40,6	10,16	12,7	12	134-XX-432-00-020000	134-XX-432-00-010000	134-XX-432-00-050000	134-XX-432-00-000000	134-XX-432-00-100000	
24	30,5	15,24	17,7	16	134-XX-624-00-020000	134-XX-624-00-010000	134-XX-624-00-050000	134-XX-624-00-000000	134-XX-624-00-100000	
28	35,5	15,24	17,7	14	134-XX-628-00-020000	134-XX-628-00-010000	134-XX-628-00-050000	134-XX-628-00-000000	134-XX-628-00-100000	
32	40,6	15,24	17,7	12	134-XX-632-00-020000	134-XX-632-00-010000	134-XX-632-00-050000	134-XX-632-00-000000	134-XX-632-00-100000	
36	45,7	15,24	17,7	11	134-XX-636-00-020000	134-XX-636-00-010000	134-XX-636-00-050000	134-XX-636-00-000000	134-XX-636-00-100000	
40	50,8	15,24	17,7	10	134-XX-640-00-020000	134-XX-640-00-010000	134-XX-640-00-050000	134-XX-640-00-000000	134-XX-640-00-100000	
42	53,3	15,24	17,7	9	134-XX-642-00-020000	134-XX-642-00-010000	134-XX-642-00-050000	134-XX-642-00-000000	134-XX-642-00-100000	
48	60,9	15,24	17,7	8	134-XX-648-00-020000	134-XX-648-00-010000	134-XX-648-00-050000	134-XX-648-00-000000	134-XX-648-00-100000	
50	63,5	15,24	17,7	8	134-XX-650-00-020000	134-XX-650-00-010000	134-XX-650-00-050000	134-XX-650-00-000000	134-XX-650-00-100000	
52	66,0	15,24	17,7	7	134-XX-652-00-020000	134-XX-652-00-010000	134-XX-652-00-050000	134-XX-652-00-000000	134-XX-652-00-100000	
50	63,5	22,86	25,3	8	134-XX-950-00-020000	134-XX-950-00-010000	134-XX-950-00-050000	134-XX-950-00-000000	134-XX-950-00-100000	
52	66,0	22,86	25,3	7	134-XX-952-00-020000	134-XX-952-00-010000	134-XX-952-00-050000	134-XX-952-00-000000	134-XX-952-00-100000	
64	81,2	22,86	25,3	6	134-XX-964-00-020000	134-XX-964-00-010000	134-XX-964-00-050000	134-XX-964-00-000000	134-XX-964-00-100000	
					SPECIFY PLATING CODE XX=		10◇	90	40◇	
					Pin Plating		0,25µm Au	5,08µm Sn/Pb	5,08µm Sn	