

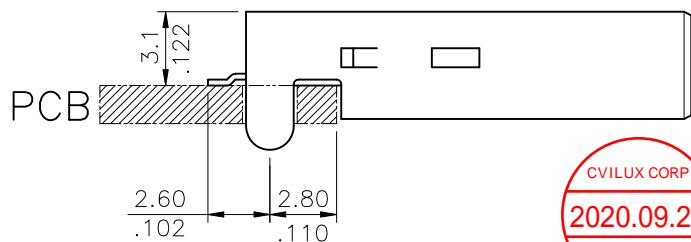
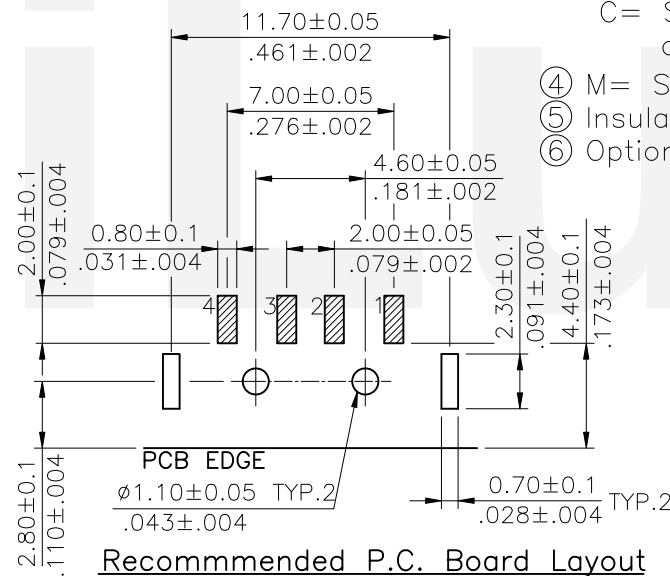
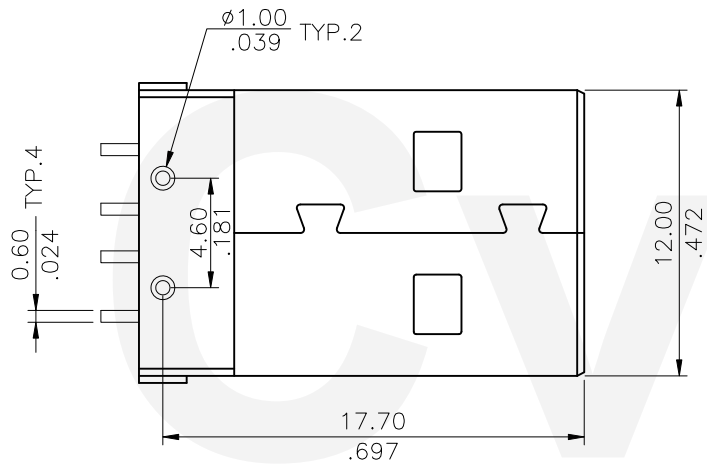
Materials & Finish:

Insulator: Glass filled Nylon 9T UL 94V-0  
 Contacts: Brass  
 Shell: Steel  
 Shell plating: 50μ" Nickel over 100μ" Cu

Ordering Code:

CU01 P A M 1 0\*0  
 ① ② ③ ④ ⑤ ⑥

- ① Series No.
- ② P= Plug
- ③ Plating option:  
 A= Selective Gold flash plated over 1.27μm(50μ") Nickel  
 C= Selective 0.76μm(30μ") Gold plated over 1.27μm(50μ") Nickel
- ④ M= SMT Type
- ⑤ Insulator Color: 1= Black, 0= White
- ⑥ Option: 000= Tray Packing (Standard) ⚠  
 OR0= Tape & Reel Packing

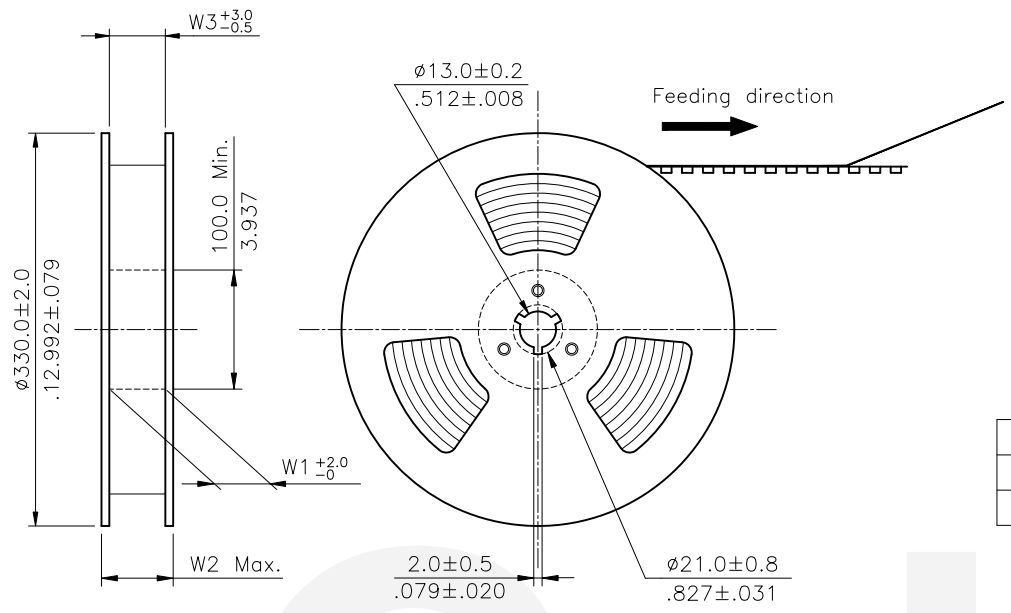


CIVILUX CORP  
 2020.09.26  
 ISSUED

Lead Free Process

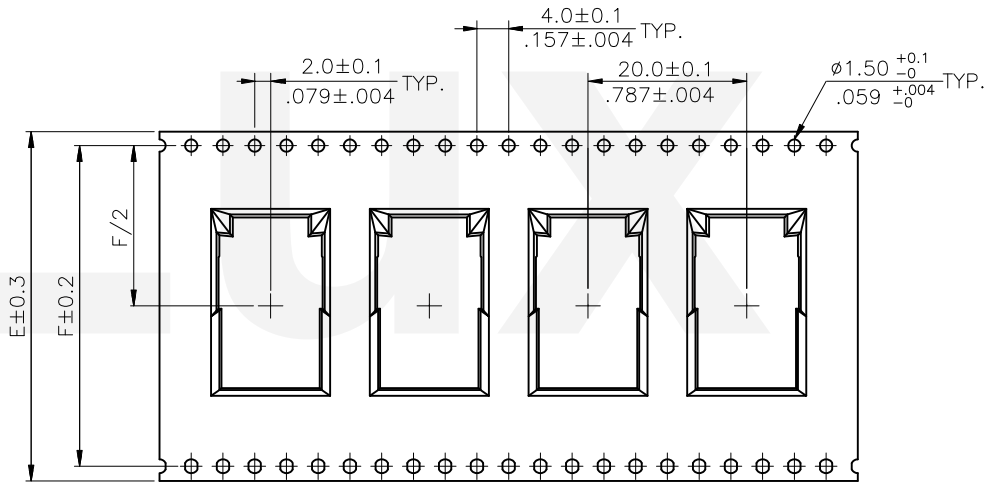
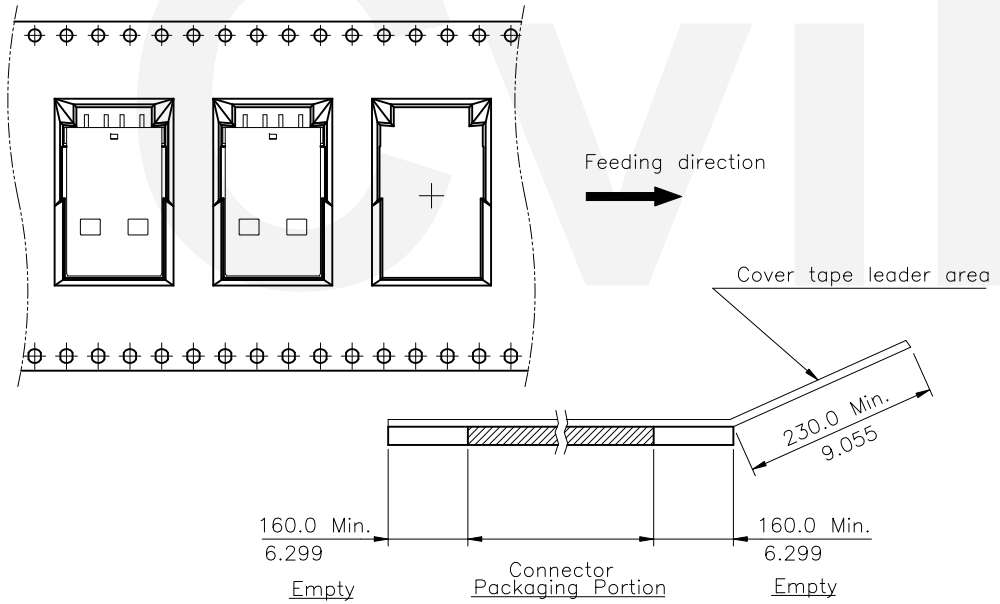
RoHS Compliant

⚠	Sun	9/09-20'	ECNT120248		DATE	UNIT: mm / inch	TITLE: USB TYPE A SMT TYPE BOARD MOUNT PLUG	瀚荃股份有限公司 CviLux Corporation		
⚠	Sun	8/12-11'	ECR11040-1/ECN11179	DRAWN BY: Sun	9/09-20'	TOLERANCE UNLESS OTHERWISE SPECIFIED	MATERIAL:			
⚠	Karen	11/20-10'	ECN10374	ENGINEER: Sun	9/09-20'	.X ± 0.30/.012 X' ± r'	FINISH:	SCALE 3 / 1	SHEET 1 OF 2	
⚠	Sandy	4/29-07'	ECN07153	CHECKED BY: Easley	9/11-20'	.XX ± 0.20/.008 X' ±				
SYM	NAME	DATE	REVISIONS	APPROVED BY: Easley	9/11-20'	.XXX ± 0.10/.004 X' ±				



- NOTE :
- \* Reel Material : Corrugated Paper
  - \* Carrier Material : Black, Conductive Polystyrene Alloy
  - \* Cover Tape Material : Polyester
  - \* Cover Tape Peel Strength : 0.1N – 1.3N
  - \* Carrier camber is within 1mm in 250mm
  - \* All dimensions meet EIA-481-B requirements.
  - \* Quantity : 500 PCS/Reel

Dimension					Packing (Reel/Caton)
E	F	W1	W2	W3	
44.0(1.732)	40.40(1.596)	44.5(1.752)	50.5(1.988)	44.5(1.752)	5



WIDTH : 44 mm Carrier

RoHS Compliant

SYM	NAME	DATE	REVISIONS	APPROVED BY:	DATE	UNIT: mm / inch	TITLE: USB TYPE A SMT TYPE BOARD MOUNT PLUG	瀚荃股份有限公司 CviLux Corporation				
8	Sun	9/09-20'	ECNT120248		DATE	UNIT: mm / inch	MATERIAL:	DRAWING NO. CU0108SJ	PART NO.	CU01P*M*000 CU01P*M*0R0	SCALE	SHEET 2 OF 2
7	Sun	8/12-11'	ECR11040-1/ECN11179	DRAWN BY: Sun	9/09-20'	TOLERANCE UNLESS OTHERWISE SPECIFIED						
6	Karen	11/20-10'	ECN10374	ENGINEER: Sun	9/09-20'	.X ±	FINISH:					
5	Sandy	4/29-07'	ECN07153	CHECKED BY: Easley	9/11-20'	.XX ±						
				APPROVED BY: Easley	9/11-20'	.XXX ±	.XX' ±					