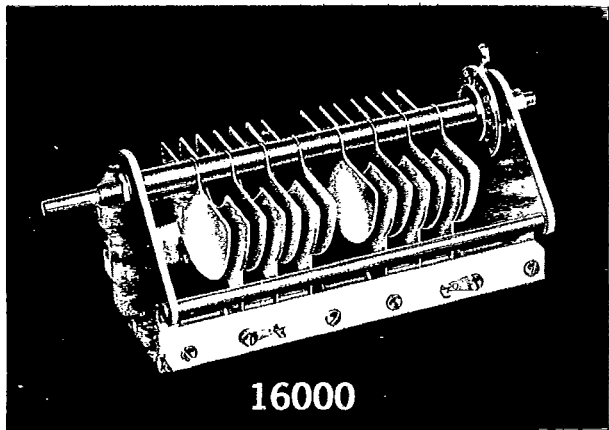




16000 SERIES TRANSMITTING CAPACITORS



FEATURES: The 16000 Series has sturdy construction, thick, round-edged, polished aluminum plates with 1 3/4" radius. Also has constant impedance, heavy current, multiple finger rotor contactor of unique design. Available in single and double sections and many capacities and plate spacings. Other features: aluminum frame, Grade L4 ceramic bars, brass hardware, nickel-plating.

AVAILABLE MODIFICATIONS: Available in single and double sections and many capacities and plate spacings. Any practical combination is possible for special capacitors from standard parts. Each of the styles below can be designed to special order. Specify one or more of the following designations preceded by the Millen catalog number.

- E. Special shaft extension*
- H. Unpolished plates
- J. Polished plates
- K. Single section
- LN. Locknut on shaft
- R. Inline rotor (dual section)
- S. Slotted shaft
- U. Insulating knob
- X. Rear shaft extension*

(*) Indicate length measured from mounting surface

SINGLE SECTION — 0.171" AIR GAP — 6000 V. PEAK

Millen Cat. No.	Capacity MMF	Dimension "A"	Dimension "B"	Plates Per Sec.
16550	13. - 52	3 3/8"	2 3/4"	5R- 4S
16510	17. -101	6 1/4"	5 5/8"	9R- 8S
16520	37. -203	9 1/2"	8 7/8"	18R-16S
16530	45. -297	12 1/2"	11 7/8"	25R-24S

SINGLE SECTION — 0.265" AIR GAP — 9000 V. PEAK

Millen Cat. No.	Capacity MMF	Dimension "A"	Dimension "B"	Plates Per Sec.
16559	11. - 65	6 1/4"	5 5/8"	8R- 7S
16512	40. -128	11 1/2"	10 7/8"	16R-14S

DOUBLE SECTION — 0.077" AIR GAP — 3000 V. PEAK

Millen Cat. No.	Capacity MMF	Dimension "A"	Dimension "B"	Plates Per Sec.
16200	15. -195	6 1/4"	5 5/8"	8R- 8S
16250	20. -255	9 1/2"	8 7/8"	10R-10S

DOUBLE SECTION — 0.171" AIR GAP — 6000 V. PEAK

Millen Cat. No.	Capacity MMF	Dimension "A"	Dimension "B"	Plates Per Sec.
16030	8.5- 27	4 1/4"	3 5/8"	3R- 2S
16050	12. - 51	6 1/4"	5 5/8"	5R- 4S
16100	19. -101	9 1/2"	8 7/8"	9R- 8S

DOUBLE SECTION — 0.265" AIR GAP — 9000 V. PEAK

Millen Cat. No.	Capacity MMF	Dimension "A"	Dimension "B"	Plates Per Sec.
16029	11. - 29	6 1/4"	5 5/8"	4R- 3S
16059	20. - 64	11 1/2"	10 7/8"	8R- 7S

