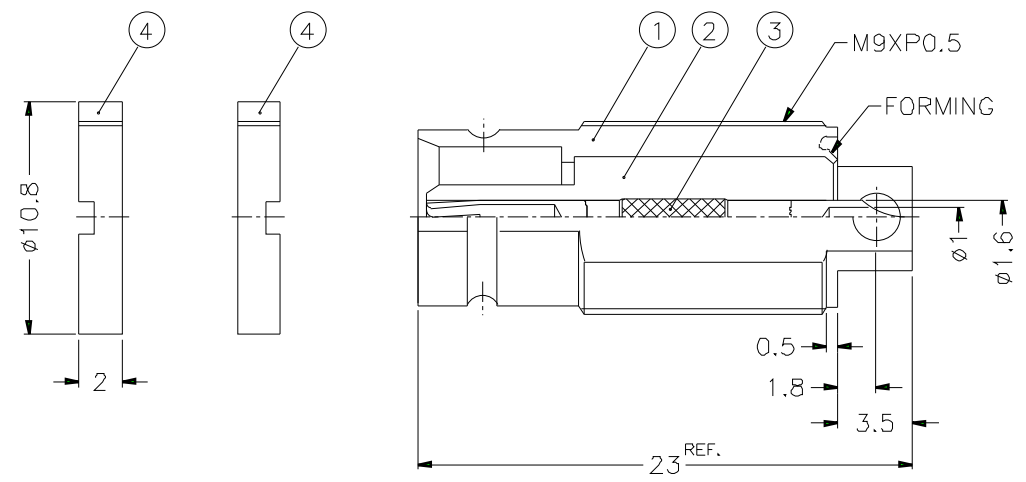
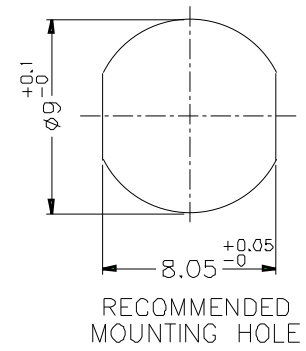


1			2			3			4			5			6			7			8		
REVISIONS																							
ISS	ZONE	DESCRIPTION\PER REQUEST\DATE																					



PANEL THICKNESS: 3.5<sup>MAX.</sup>  
 -CONNECTOR ACCORDING TO NFC 93-570  
 -PACKAGING IN TRAY (QTY: 200) WITH COMMERCIAL PART NUMBER AND DATE CODE

DIMENSIONS ARE IN MILLIMETERS											PART NO. 156 343 61		<h1 style="text-align: center;">Amphenol</h1> <p style="text-align: center;">1.6/5.6 75Ω BULKHEAD MOUNT RECEPT. JACK</p>																																
<table border="1"> <tr> <td>4</td><td>NUT</td><td>BRASS</td><td>NICKEL</td><td>2</td><td></td></tr> <tr> <td>3</td><td>CONTACT PIN</td><td>BEUC</td><td>GOLD</td><td>1</td><td></td></tr> <tr> <td>2</td><td>INSULATOR</td><td>TEFLON</td><td>NATURAL</td><td>1</td><td></td></tr> <tr> <td>1</td><td>BODY</td><td>BRASS</td><td>GOLD</td><td>1</td><td></td></tr> <tr> <td>NO.</td><td>DESCRIPTION</td><td>MATERIAL</td><td>FINISH</td><td>Q'TY</td><td>DRAWING NO.</td></tr> </table>											4	NUT			BRASS	NICKEL	2		3	CONTACT PIN	BEUC	GOLD	1		2	INSULATOR	TEFLON	NATURAL	1		1	BODY	BRASS	GOLD	1		NO.	DESCRIPTION	MATERIAL	FINISH	Q'TY	DRAWING NO.	APPROVED	DATE	10-11-01'
											4	NUT			BRASS	NICKEL	2																												
											3	CONTACT PIN			BEUC	GOLD	1																												
2	INSULATOR	TEFLON	NATURAL	1																																									
1	BODY	BRASS	GOLD	1																																									
NO.	DESCRIPTION	MATERIAL	FINISH	Q'TY	DRAWING NO.																																								
CHECKED	DATE	10-11-01'																																											
DRAWN	DATE	10-11-01'																																											
SCALE 3/1 ISSUE A											FILE NO.		DRAWING NO.																																
													ITEM NO.																																

1			2			3			4			5			6			7			8		
---	--	--	---	--	--	---	--	--	---	--	--	---	--	--	---	--	--	---	--	--	---	--	--