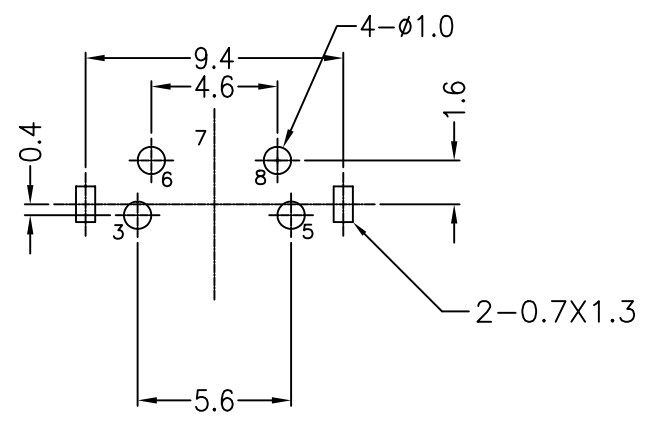
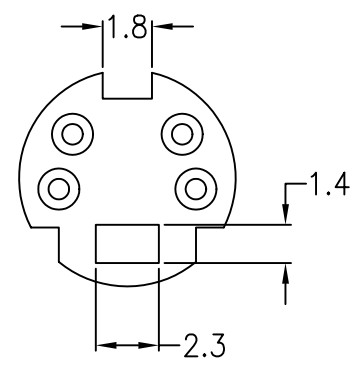
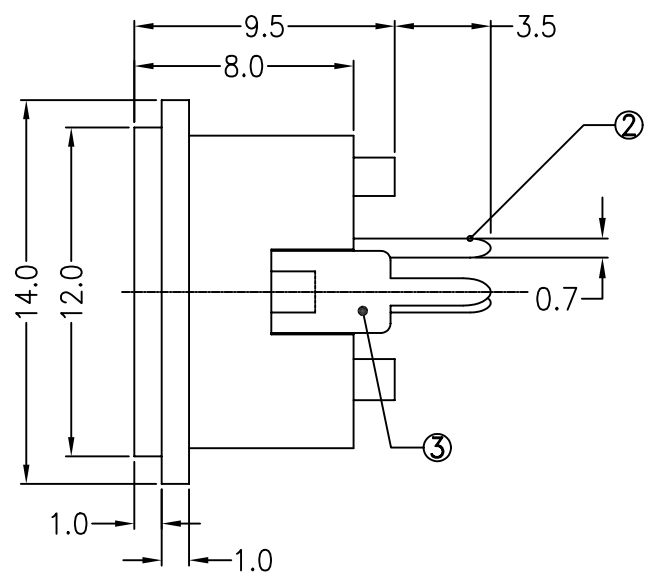
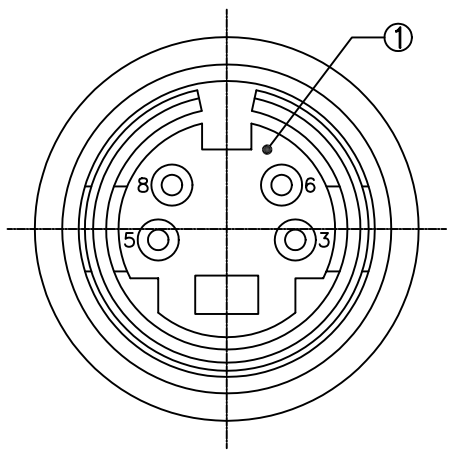


1 2 3 4 5 6 7 8 9 0

J
I
H
G
F
E
D
C
B
A



Recommended PCB Layout
[BOTTOM VIEW]

3	C111-M9	GROUND	BRASS	Ni	1	40T
2	C111-M1	CONTACT	PBS	Au+Tin	4	20T
1	C111A-P1-4P	HOUSING	PBT	15	1	UL94V-0
ITEM	PART NO.	NAME	MATERIAL	FINISH	Q'TY	NOTE

MORETHANALL
CONNECTORS
ASSEMBLIES

煜倫有限公司

PART NO. MDD-S-04	
DWG NO. MDD-S-04	
FILE NO.	UNIT / mm
SCALE 1:1	

APPROVED BY CY	TOLERANCES ARE X. XX. XXX. AWG
DRAWING BY	
PROJECTION	

DESCRIP TION:	MINI-DIN JACK, 4 PINS VERTICAL TYPE			
AREA	REVISIONS	HK	DATE	