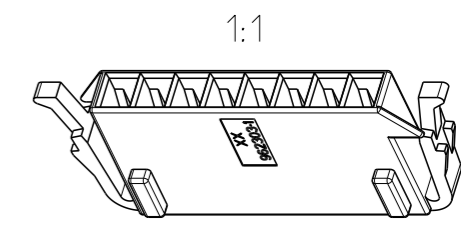
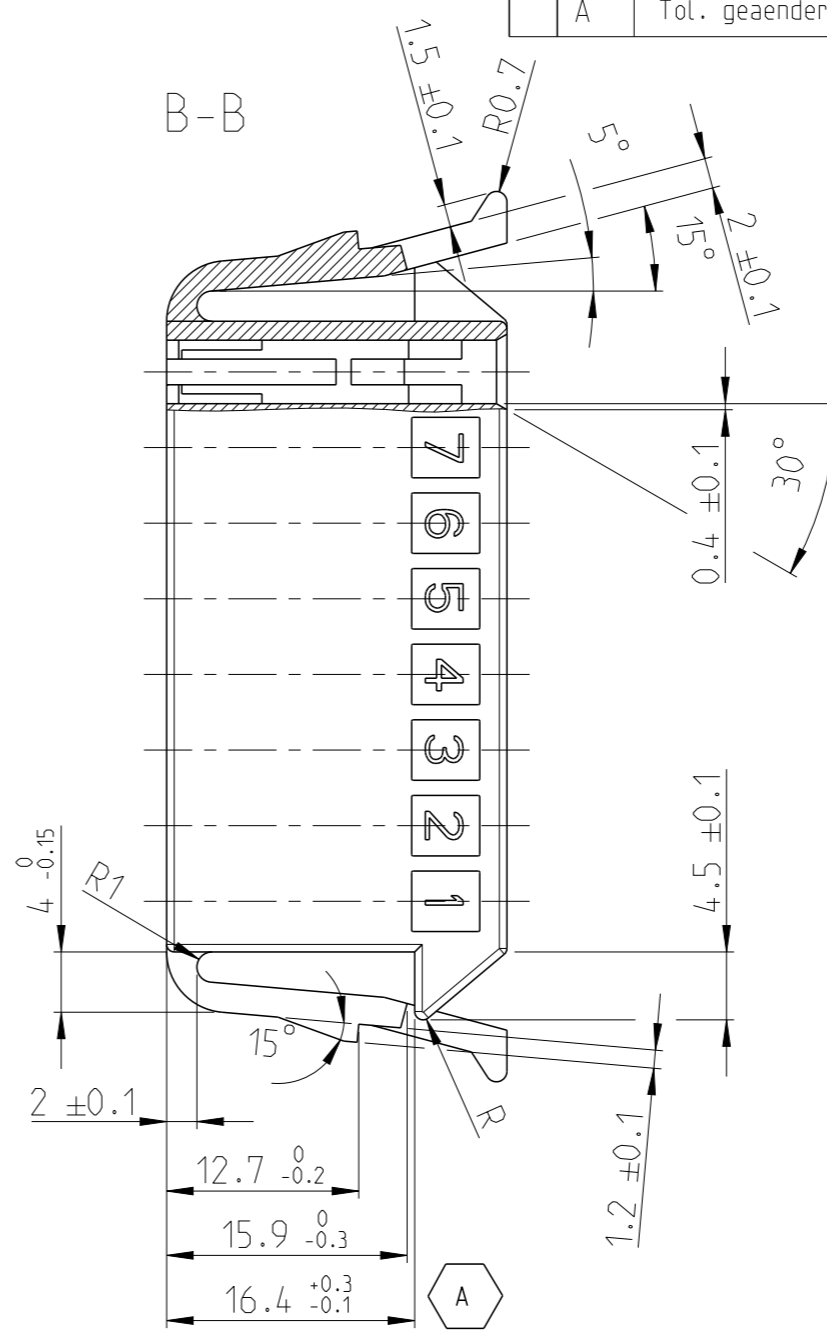
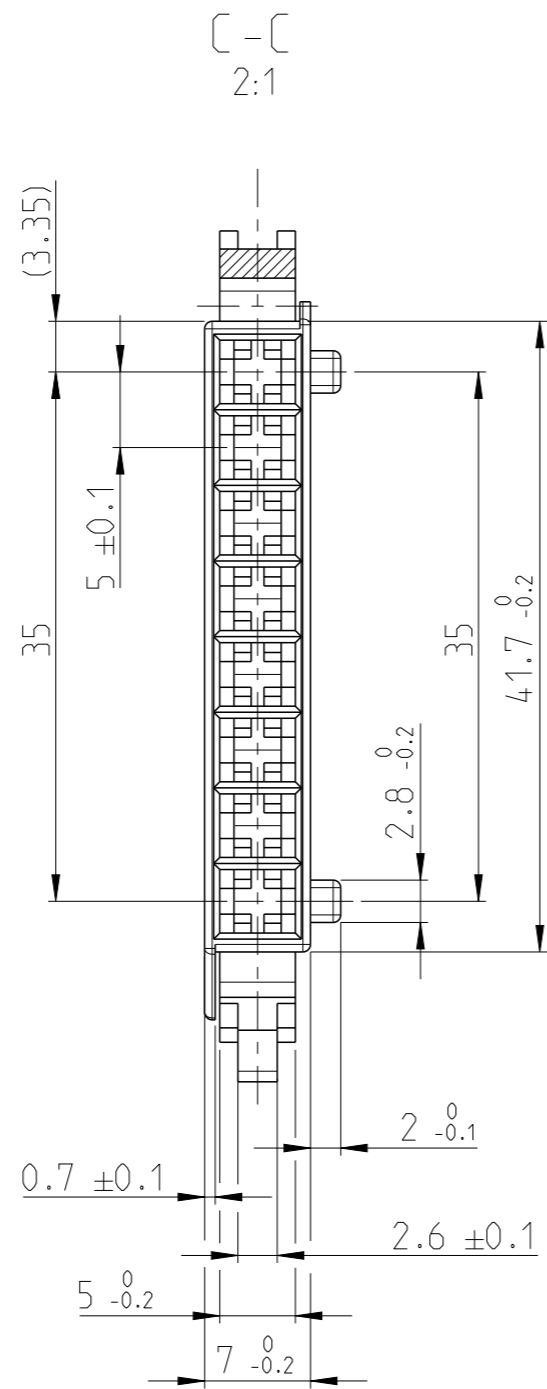
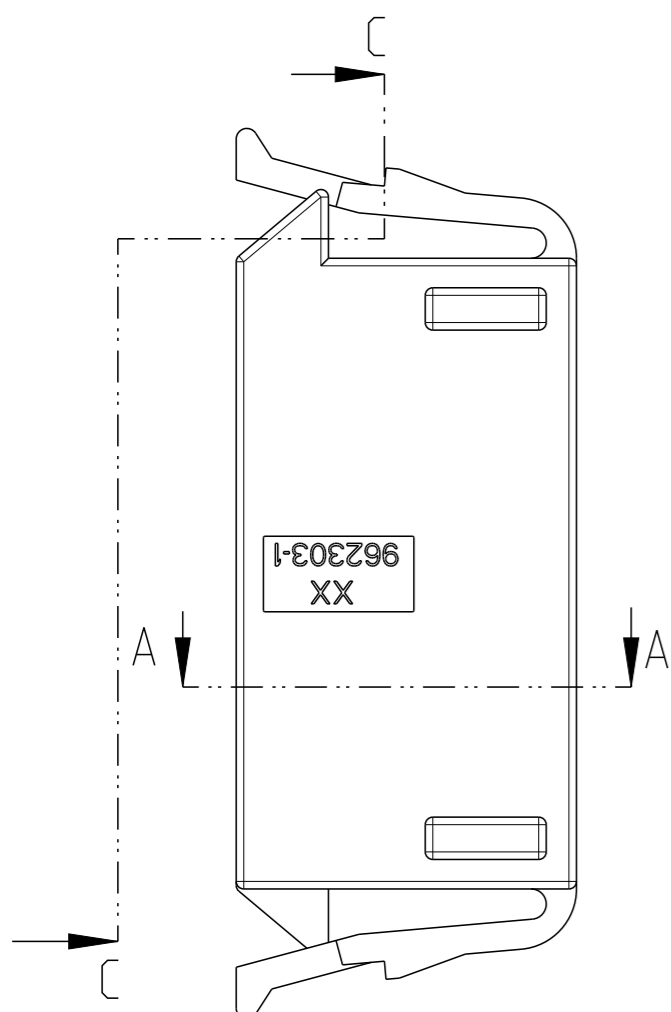
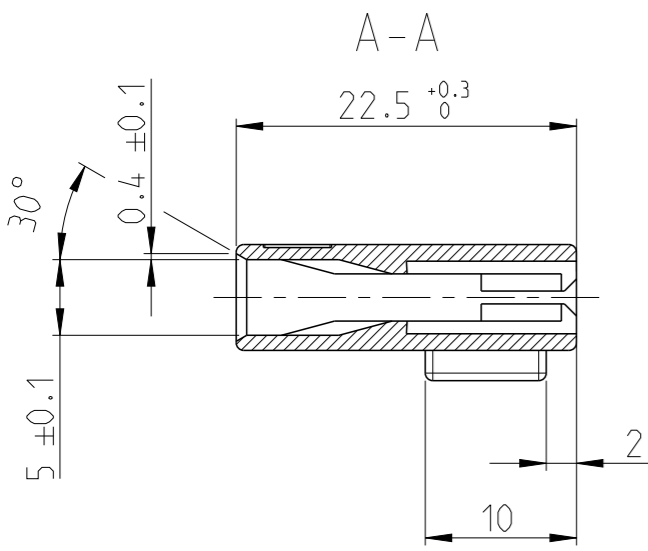


P	LTR	DESCRIPTION	DATE	DWN	APVD
1		Anpassung an Werkzeug Kodierung	18JUN1989	KIRS.	-
2		Blatt 2 von 2 hinzu	05AUG1991	Krull	-
3		Blatt 1 von 1, war 1 von 2	02FEB1994	Kres.	
A		Tol. geaendert von +0.3 auf +0.3/-0.1	23JUN2016	MAH.	KRAU.



Nicht bemessene Radien R0.5mm  
NON DIMENSIONED RADII R0.5MM



962303-1	8 pol. Geh. f. JPT-Kontakt	schwarz	PA 6.6
TE PN	NAME	COLOR	MATERIAL

THIS DRAWING IS A CONTROLLED DOCUMENT.		DWN	05JUL1989	<b>TE</b> TE Connectivity											
DIMENSIONS: mm		CHK	100CT1989												
TOLERANCES UNLESS OTHERWISE SPECIFIED: ±0.2mm		APVD	-												
<table border="0"> <tr><td>0 PLC</td><td>±</td></tr> <tr><td>1 PLC</td><td>±</td></tr> <tr><td>2 PLC</td><td>±</td></tr> <tr><td>3 PLC</td><td>±</td></tr> <tr><td>4 PLC</td><td>±</td></tr> <tr><td>ANGLES</td><td>±2°</td></tr> </table>		0 PLC	±		1 PLC	±	2 PLC	±	3 PLC	±	4 PLC	±	ANGLES	±2°	PRODUCT SPEC
0 PLC	±														
1 PLC	±														
2 PLC	±														
3 PLC	±														
4 PLC	±														
ANGLES	±2°														
MATERIAL: SEE LIST		APPLICATION SPEC	-	NAME: 8 poliges Gehaeuse fuer JUNIOR-POWER-TIMER-KONTAKT											
		WEIGHT	-	SIZE: A3											
		CUSTOMER DRAWING	-	CAGE CODE: 00779											
		SCALE: 2:1	SHEET: 1 OF 1	DRAWING NO: C-962303											
				RESTRICTED TO: -											
				REV: A											

# Mouser Electronics

Authorized Distributor

Click to View Pricing, Inventory, Delivery & Lifecycle Information:

[TE Connectivity:](#)

[962303-1](#)