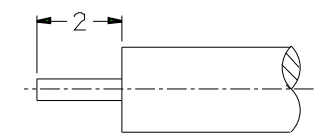
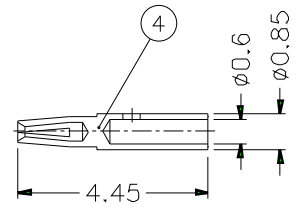
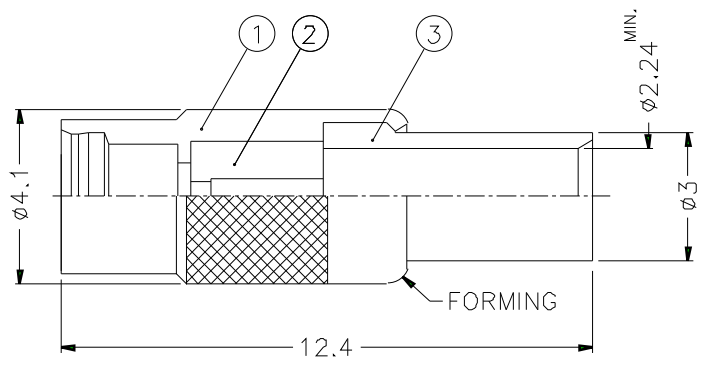


		1		2		3		4		5		6		7		8	
		REVISIONS															
ISS	ZONE	DESCRIPTION\PER REQUEST\DATE															



RECOMMENDED
CABLE STRIPPING DIM'S

- NOTES: FINISH (PLATING THICKNESS IN MICRO-INCHES)
1. BRASS PER QQ-B-626
 2. GOLD PL. 3 MIN. THICK OVER NICKEL PL. 100 MIN. THICK OVER COPPER STRIKE
 3. BERYLLIUM COPPER PER QQ-C-530
 4. GOLD PL. 30 MIN. THICK OVER NICKEL PL. 100 MIN. THICK OVER COPPER STRIKE
 5. TEFLON MIL-P-19468

						DIMENSIONS ARE IN MILLIMETERS				PART NO.		<h1>Amphenol</h1>			
						UNLESS OTHERWISE SPECIFIED TOLERANCES				MMCX6181A1-3GT30G-11-50					
4	CONTACT PIN	NOTE 3	NOTE 4	1	MMCX6121A1-4-085/06	0.5-6 = ±0.2 6-30 = ±0.4 30-120 = ±0.6 120-315 = ±1 315-1000 = ±1.6 1000-2000 = ±2.4				APPROVED DATE		TITLE			
3	BARREL	NOTE 1	NOTE 2	1	MMCX1181A1-3-3/224					10-11-01'		MMCX SEMI-RIGID JACK (FOR .085" , .086")			
2	INSULATOR	NOTE 5	NATURAL	1	MMCX6181A1-2T-50					CHECKED DATE		DRAWING NO.			
1	BODY	NOTE 1	NOTE 2	1	MMCX6181A1-1					10-11-01'		KJ-MMCX6181A1-3GT30G-.085-50			
NO.	DESCRIPTION	MATERIAL	FINISH	Q'TY	DRAWING NO.	SCALE	6/1	ISSUE	A	DRAWN DATE		ITEM NO.			
										10-11-01'					

		1		2		3		4		5		6		7		8	
--	--	---	--	---	--	---	--	---	--	---	--	---	--	---	--	---	--