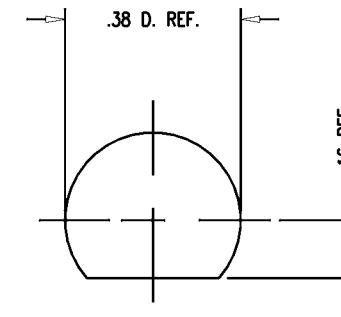
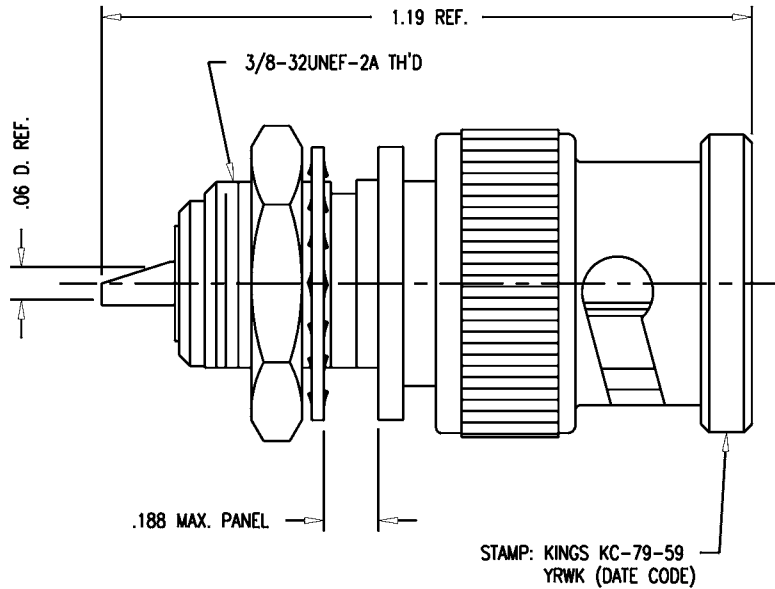


DASH NO.	M CODE	MADE FROM
----------	--------	-----------

GSD

KC-79-59



MOUNTING HOLE

NOTES:

- INTERFACE PER MIL-STD-348, FIG. 301-1.
- MATERIALS:
 INSULATOR: TEFLON, ASTM-D-1457
 GASKET: SIL. RUB., ZZ-R-765
 LOCKWASHER: PHOSPHOR BRONZE, QQ-B-750
 SPRING WASHER: BER. COP., ASTM-B-196
 ALL OTHER PARTS: BRASS, ASTM-B16
- FINISHES:
 CONTACT } SILVER PLATE PER QQ-S-365
 SPRING WASHER }
 ALL METAL PARTS: KINGS TARNISH RESISTANT FINISH (TR-5)
- ELECTRICAL CHARACTERISTICS:
 NOMINAL IMPEDANCE: 50 OHMS
 WORKING VOLTAGE: 500 VRMS
 FREQUENCY RANGE: DC TO 4 GHz

REVISIONS

ISSUE	CHANGES
5	CN 33610 E REDRAWN JCA 12/20/91
6	CN 38430 C TML 10/30/01

WAS: JCA2329 KC-79-59S

SCALE 4:1

APPROX SURFACE AREA

USED ON

REF:

RECEPTACLE, BULKHEAD, BNC, M

DRAWN JCA	DATE 12/20/91
DESIGN MJB	DATE 12/20/91
APPR.	DATE

KINGS
ELECTRONICS CO., INC.
ROCK HILL, SOUTH CAROLINA 29730

GSD

KC-79-59