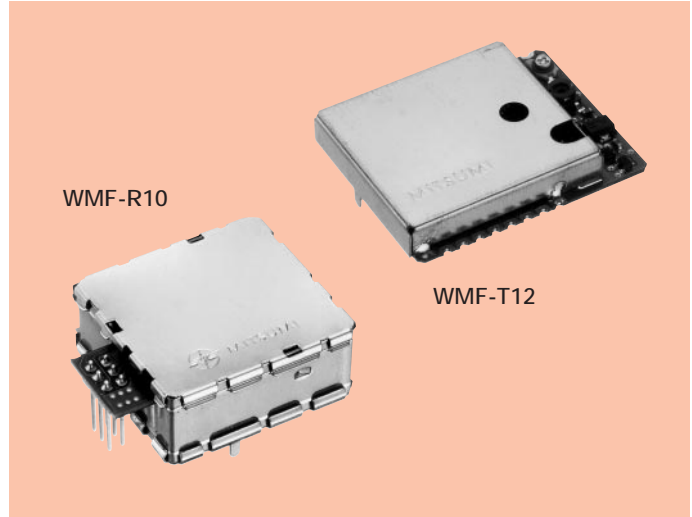


49MHz Band Transmitting-Receiving Module Conforming to FCC WMF-T12, R10

Telecommunication component

FEATURES

WMF series small electric wave type transceiver modules have been developed as a wireless controller for PC. Since these modules can be freely and directly soldered on PC boards, a non-directional wireless control system can easily be realized.



FEATURES

● Transmitting Module (WMF-T12)

1. Thin and lightweight.
2. Supply voltage 4.5V~5.5V.
3. Can be directly soldered on PC boards.
4. Low current consumption 20mA (typ.).
5. Can be paired with receiving module (WMF-R10).
6. 30ms (max.) rise time from power on.
7. 7 channels can be used, at 10kHz intervals.

● Receiving Module (WMF-R10)

1. Thin and lightweight.
2. 5V supply voltage.
3. Can be directly soldered on PC boards.
4. TTL level data output.
5. Can be paired with transmitting module (WMF-T12).

SPECIFICATIONS

● Transmitting Module (WMF-T12)

Item	Specifications			Remarks
	min.	typ.	max.	
Transmitting Frequency	49.83MHz~49.89MHz (10kHz step)			
Transmitting Output			80dBμV/m	at 3m
Deviation Width	1.0kHz	1.5kHz	2.0kHz	FSK
Data Input Level	HIGH 4.0V			
	LOW		0.4V	
Supply Voltage	4.5V	5.0V	5.5V	
Current Consumption				
Transmission Rate			4800bps	
Rock-up Time		25mS	30mS	

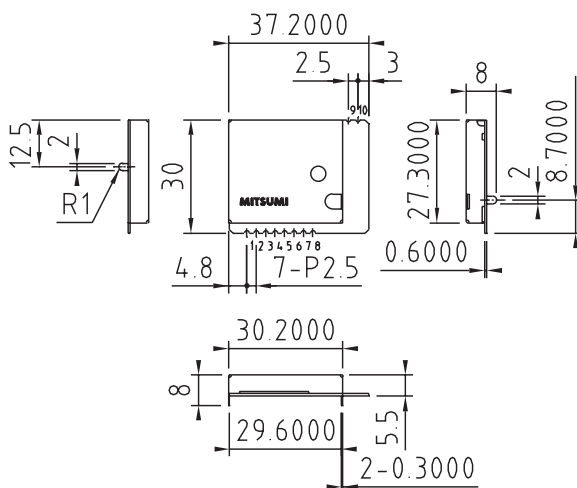
49MHz Band Transmitting-Receiving Module Conforming to FCC

● Receiving Module (WMF-R10)

Item	Specifications			Remarks
	min.	typ.	max.	
Receiving Frequency	49.83MHz~49.89MHz (10kHz step)			
Sensitivity			12dB μ	BER = 0.01 (4800dps PN9)
Spurious Response	35dB			
Data Output Level	HIGH	4.0V		
	LOW		0.4V	
Current Consumption		10mA	15mA	
Demodulated Transmission Rate			4800bps	

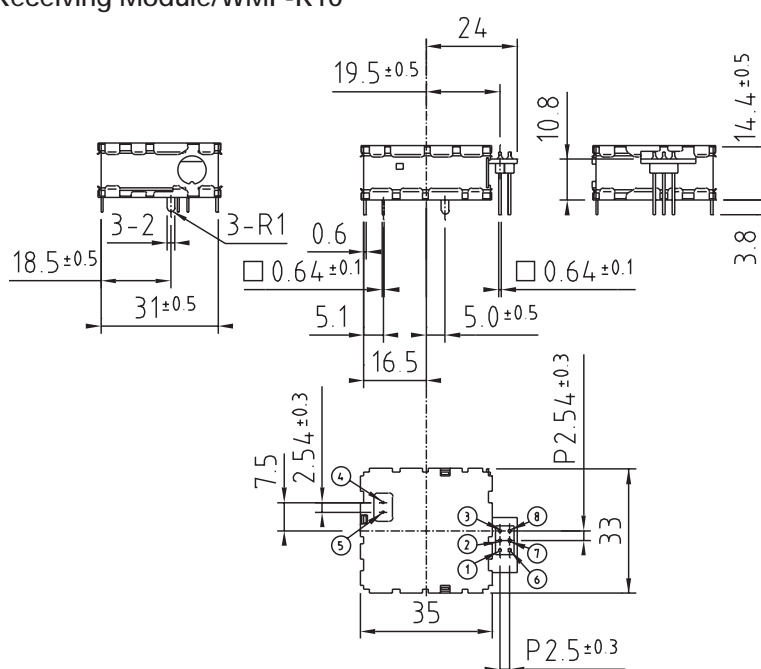
DIMENSIONS

● Transmitting Module/WMF-T12



TERMINALS
1. PLL CE
2. PLL CL
3. PLL DI
4. LOCK
5. DATA
6. +B
7. STROBE
8. GND
9. GND
10. ANT

● Receiving Module/WMF-R10



TERMINALS
1. +B
2. DATA OUT
3. GROUND
4. ANT
5. ANT GROUND
6. PLL CE
7. PLL DA
8. PLL CK
CASE GROUND

Unit : mm

*For the technical details of the products in this page, please refer to Sales promotion Dept., TOCHIGI MITUMI Co., Ltd. Phone: 0283 (23) 3332.