

Current Transformers for Switching Power Supply

Japan

Type: **FJ04**



Transformer for switching power supply surge detection



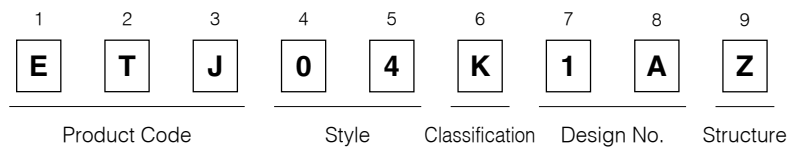
Features

- Small with low profile
- Low-loss
- Can be automatically mounted

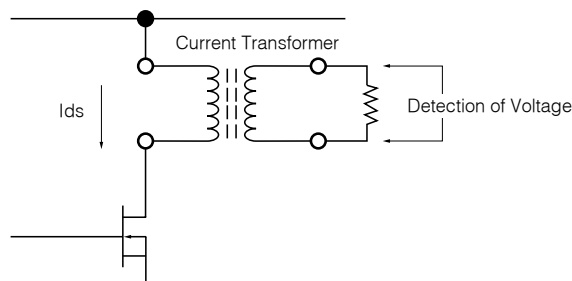
Recommended Applications

- On-board power supply
- Power module

Explanation of Part Numbers



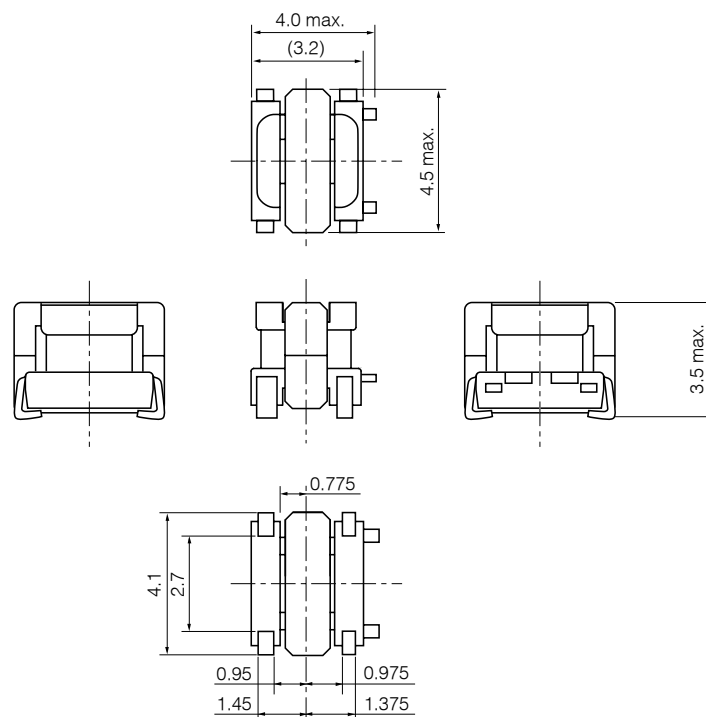
Applied Diagram Examples



Performance Characteristics

		FJ04Z
Operating Temperature		- 40 °C to 115 °C
Frequency Range		f = 200 kHz to 500 kHz, Duty = 30 % to 50 %
DCR (at 20 °C)	Pri.	3.0 mΩ max.
	Sec.	17 Ω (Tolerance : ± 20 %)
Winding Ratio	P : S	1 : 150
Dielectric Withstanding Volt.	P : S	AC 500 V rms, 1 min

Dimensions in mm (not to scale)



Recommended Land Pattern in mm (not to scale)

