



LM254 RP SMA Antenna 9dBi

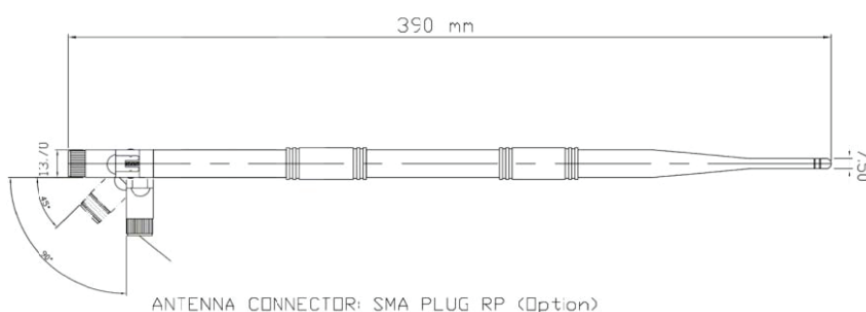
Dipole for SMA Male Reverse Polarity

Product LM254
Part No LM254
Revised 8/NOV/2017

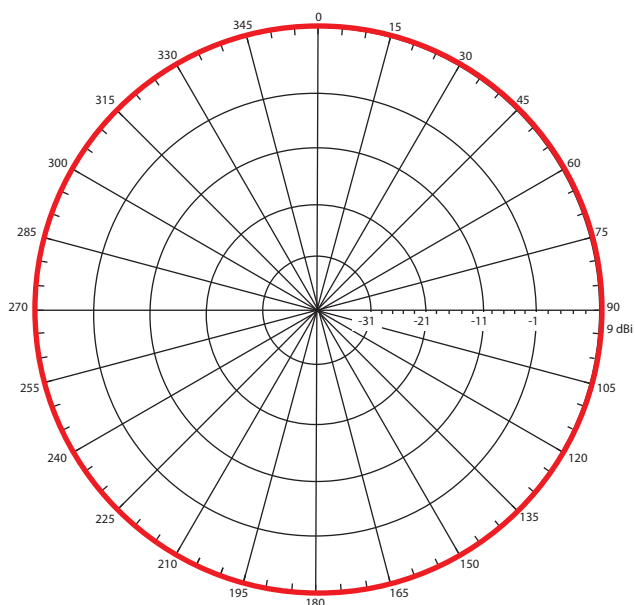


Features

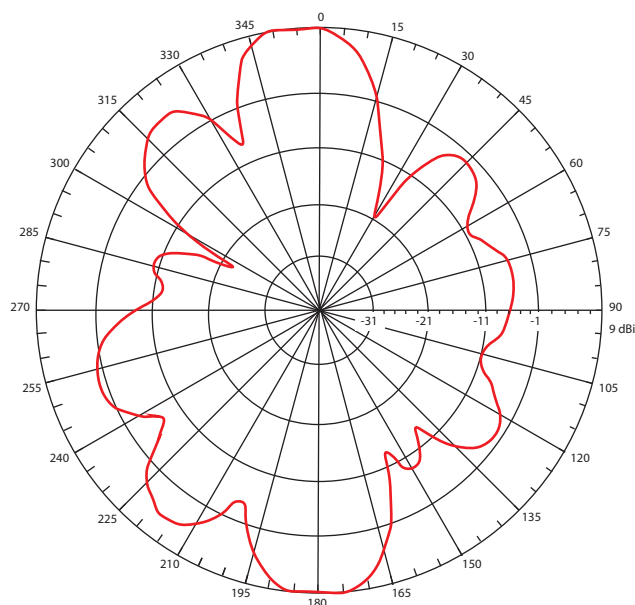
- Type: Dipole
- Frequency: 2400~2500MHz
- Gain: 9dBi
- Polarization: Linear Vertical
- SWR: $\leq 1.5:1$
- Impedance: 50Ω
- Base Connector: SMA Male Reverse Polarity
- Weight: 54.54g +/- 0.25g tolerance
- Size: H 390mm x W 13.7mm x D 13.7mm
- Certification: RoHS



H-PLANE



E-PLANE

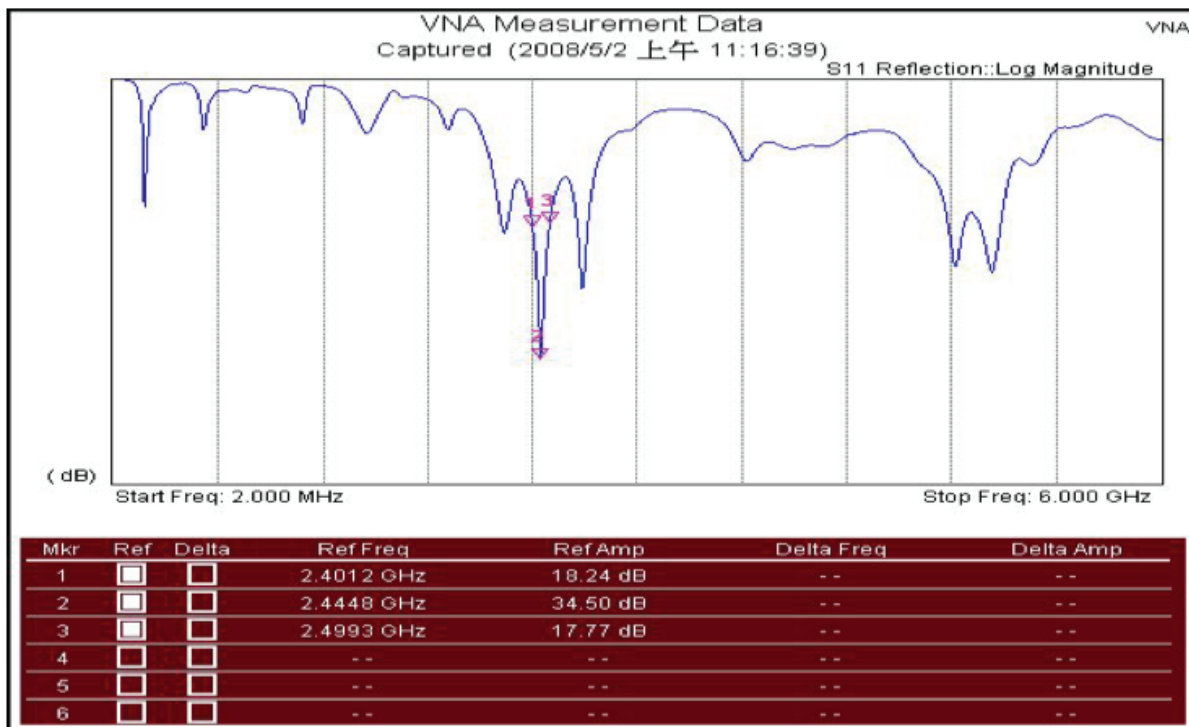




LM254 RP SMA Antenna 9dBi

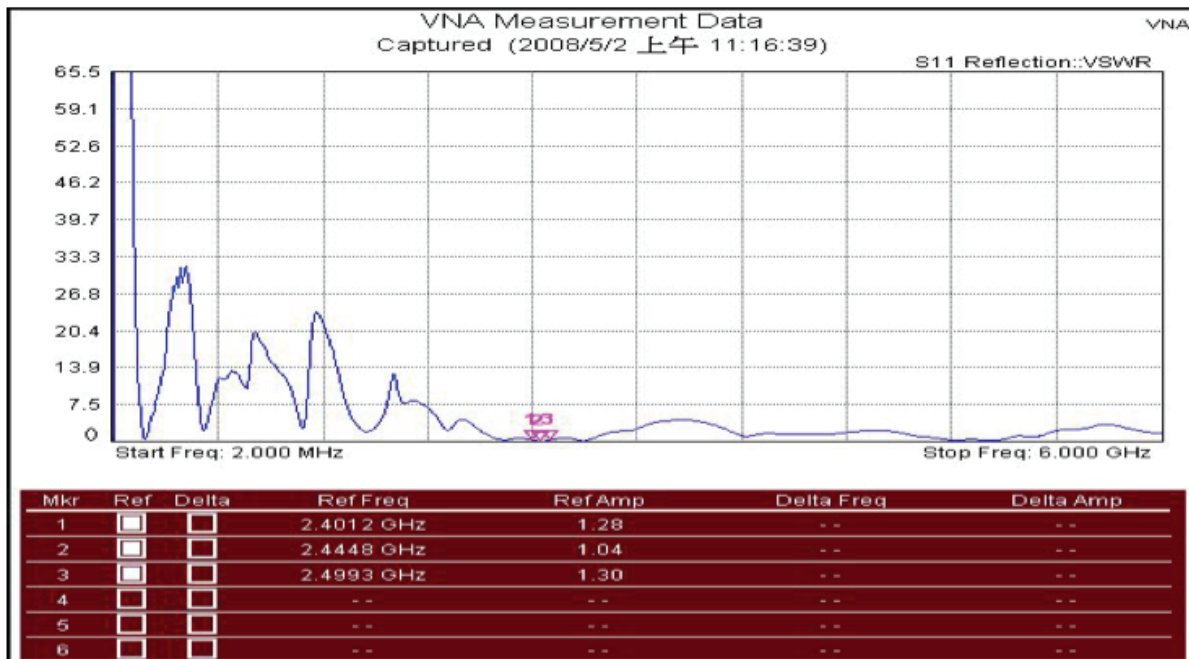
Dipole for SMA Male Reverse Polarity

Product LM254
Part No LM254



Measurement Parameters

Calibration Status	On	Serial Number	651009
Data Points	551	Base Ver.	V1.48
Output Power	High	App Ver.	V1.48
Start Frequency	2.000 MHz	Date	2008/5/2 上午 11:16:39
Stop Frequency	6.000 GHz	Device Name	



Measurement Parameters

Calibration Status	On	Serial Number	651009
Data Points	551	Base Ver.	V1.48
Output Power	High	App Ver.	V1.48
Start Frequency	2.000 MHz	Date	2008/5/2 上午 11:16:39
Stop Frequency	6.000 GHz	Device Name	