

Panel Mount - 0 to 60 dB in 10 dB Steps

Specifications

Frequency: DC-18.0, DC-12.4, DC-8.0, and DC-4.0 GHz units available

Attenuation Values: 0 - 60 dB

Attenuation Accuracy:

Attenuation (dB)	DC-18.0	DC-12.4	DC-8.0	DC-4.0
10	± 0.5	± 0.5	± 0.4	± 0.3
20	± 0.6	± 0.5	± 0.4	± 0.3
30	± 0.7	± 0.6	± 0.5	± 0.4
40	± 1.0	± 0.8	± 0.6	± 0.5
50	± 1.2	± 1.0	± 0.8	± 0.7
60	± 1.5	± 1.2	± 0.9	± 0.8

Impedance: 50 Ohms

VSWR: 1.2 @ DC-4, 1.3 @ 4-8.0, 1.45 @ 8-12.4, 1.5 @ 12.4-18.0 GHz max

Zero Position Insertion Loss:

Freq (GHz)	DC-4	4-8	8-12.4	12.4-18.0
dB max	0.3	0.4	0.5	0.7

Power: 2 Watts average

Operating Temperature Range: 0C to +55C

Switching Repeatability: 0.05 dB

Switching Life: 1,000,000 cycles

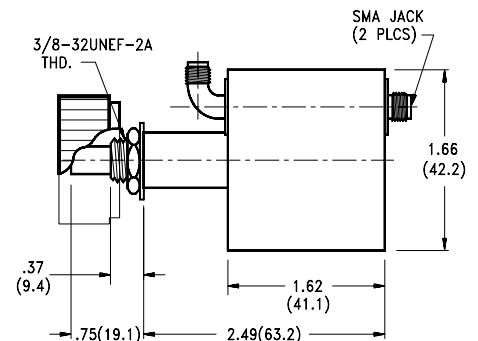
Mechanical Stops: Maximum dB - clockwise, Minimum dB - counterclockwise

Connector Types: SMA swept right angle female on shaft end and straight on rear

Finish of Connectors: Passivated Stainless Steel



DC - 18.0 GHz		DC - 12.4 GHz	
STA-1071-18-SMA-07		STA-1071-12-SMA-07	
1071 Series			
DC - 8.0 GHz		DC - 4.0 GHz	
STA-1071-08-SMA-07		STA-1071-04-SMA-07	



Panel Mount - 0 to 9 dB in 1 dB Steps

Specifications

Frequency: DC-18.0, DC-12.4, DC-8.0, and DC-4.0 GHz units available

Attenuation Values: 0 - 9 dB

Attenuation Accuracy:

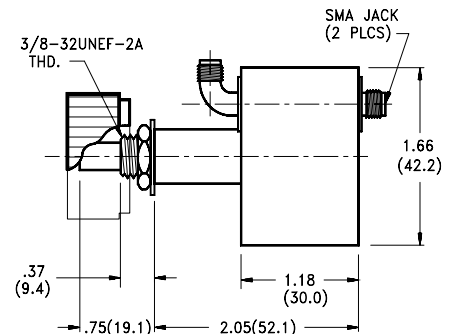
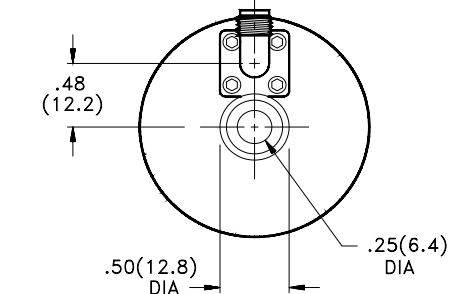
Attenuation (dB)	Frequency			
	DC-18.0	DC-12.4	DC-8.0	DC-4.0
1-9	± 0.5	± 0.3	± 0.3	± 0.3

Connector Types: SMA swept right angle female on shaft end and straight on rear

Finish of Connectors: Passivated Stainless Steel

Note: All other performance specifications are the same as the 1071 series shown above.

DC - 18.0 GHz		DC - 12.4 GHz	
STA-1072-18-SMA-07		STA-1072-12-SMA-07	
1072 Series			
DC - 8.0 GHz		DC - 4.0 GHz	
STA-1072-08-SMA-07		STA-1072-04-SMA-07	





- [Shopping Cart](#)
- [Order Status](#)
- [Help Desk](#)
- [About Midwest](#)
- [Contact Midwest](#)
- [Authorized Distributors & Sales Representatives](#)
- [Distributors Only](#)

[Customer Login](#) [United States](#)

Try our New Search! [Go](#)

[< Return to Product Categories](#)

SKU	Product	Frequency	Power	Body	Interface	Gender	dB	
Bench Top Step Attenuators								
STA-1042-04-7MM-79	Step Attenuator	4	2	BCH	7mm/7mm	X/X	0-9dB	More Details
STA-1042-04-NNN-79	Step Attenuator	4	2	BCH	N/N	F/F	0-9dB	More Details
STA-1042-04-SMA-79	Step Attenuator	4	2	BCH	SMA/SMA	F/F	0-9dB	More Details
STA-1042-08-7MM-79	Step Attenuator	8	2	BCH	7mm/7mm	F/F	0-9dB	More Details
STA-1042-08-NNN-79	Step Attenuator	8	2	BCH	N/N	F/F	0-9dB	More Details
STA-1042-08-SMA-79	Step Attenuator	8	2	BCH	SMA/SMA	F/F	0-9dB	More Details
STA-1042-12-7MM-79	Step Attenuator	12.4	2	BCH	7mm/7mm	X/X	0-9dB	More Details
STA-1042-12-NNN-79	Step Attenuator	12.4	2	BCH	N/N	F/F	0-9dB	More Details
STA-1042-12-SMA-79	Step Attenuator	12.4	2	BCH	SMA/SMA	F/F	0-9dB	More Details
STA-1042-18-7MM-79	Step Attenuator	18	2	BCH	7mm/7mm	X/X	0-9dB	More Details
STA-1042-	Step							More

We also have

Attenuator
[BUY NOW](#) Our Price: **\$222.00**



ATT-0640-06-29M-02
 6 dB DC-40 Ghz Attenuator
 Subminiature Minipad
 2.9mm/2.9mm 1 watt
 Passivated

[Click for More Info](#)

QPL Connector
[BUY NOW](#) Our Price: **\$23.40**



M39012/79-3007
 Male SMA Passivated QPL
 Connector Semi-Rigid
 RG405 cable

[Click for More Info](#)

18-NNN-79	Attenuator	18	2	BCH	N/N	F/F	0-9dB	Details
STA-1042-18-SMA-79	Step Attenuator	18	2	BCH	SMA/SMA	F/F	0-9dB	More Details
STA-1043-04-7MM-79	Step Attenuator	4	2	BCH	7mm/7mm	X/X	0-60dB by 10dB	More Details
STA-1043-04-NNN-79	Step Attenuator	4	2	BCH	N/N	F/F	0-60dB by 10dB	More Details
STA-1043-04-SMA-79	Step Attenuator	4	2	BCH	SMA/SMA	F/F	0-60dB by 10dB	More Details
STA-1043-08-7MM-79	Step Attenuator	8	2	BCH	7mm/7mm	X/X	0-60dB by 10dB	More Details
STA-1043-08-NNN-79	Step Attenuator	8	2	BCH	N/N	F/F	0-60dB by 10dB	More Details
STA-1043-08-SMA-79	Step Attenuator	8	2	BCH	SMA/SMA	F/F	0-60dB by 10dB	More Details
STA-1043-12-7MM-79	Step Attenuator	12.4	2	BCH	7mm/7mm	X/X	0-60dB by 10dB	More Details
STA-1043-12-NNN-79	Step Attenuator	12.4	2	BCH	N/N	F/F	0-60dB by 10dB	More Details
STA-1043-12-SMA-79	Step Attenuator	12.4	2	BCH	SMA/SMA	F/F	0-60dB by 10dB	More Details
STA-1043-18-7MM-79	Step Attenuator	18	2	BCH	7mm/7mm	X/X	0-60dB by 10dB	More Details
STA-1043-18-NNN-79	Step Attenuator	18	2	BCH	N/N	F/F	0-60dB by 10dB	More Details
STA-1043-18-SMA-79	Step Attenuator	18	2	BCH	SMA/SMA	F/F	0-60dB by 10dB	More Details
STA-1044-04-7MM-	Step	4	2	BCH	7mm/7mm	X/X	0-69dB	More

79	Attenuator								Details
STA-1044-04-NNN-79	Step Attenuator	4	2	BCH	N/N	F/F	0-69dB		More Details
STA-1044-04-SMA-79	Step Attenuator	4	2	BCH	SMA/SMA	F/F	0-69dB		More Details
STA-1044-08-7MM-79	Step Attenuator	8	2	BCH	7mm/7mm	X/X	0-69dB		More Details
STA-1044-08-NNN-79	Step Attenuator	8	2	BCH	N/N	F/F	0-69dB		More Details
STA-1044-08-SMA-79	Step Attenuator	8	2	BCH	SMA/SMA	F/F	0-69dB		More Details
STA-1044-12-7MM-79	Step Attenuator	12.4	2	BCH	7mm/7mm	X/X	0-69dB		More Details
STA-1044-12-NNN-79	Step Attenuator	12.4	2	BCH	N/N	F/F	0-69dB		More Details
STA-1044-12-SMA-79	Step Attenuator	12.4	2	BCH	SMA/SMA	F/F	0-69dB		More Details
STA-1044-18-7MM-79	Step Attenuator	18	2	BCH	7mm/7mm	X/X	0-69dB		More Details
STA-1044-18-NNN-79	Step Attenuator	18	2	BCH	N/N	F/F	0-69dB		More Details
STA-1044-18-SMA-79	Step Attenuator	18	2	BCH	SMA/SMA	F/F	0-69dB		More Details
STA-1054-18-7MM-79	Step Attenuator	18	2	BCH	7mm/7mm	X/X	0-9dB		More Details
STA-1054-18-NNN-79	Step Attenuator	18	2	BCH	N/N	F/F	0-9dB		More Details
STA-1054-18-SMA-79	Step Attenuator	18	2	BCH	SMA/SMA	F/F	0-9dB		More Details

STA-1055-18-7MM-79	Step Attenuator	18	2	BCH	7mm/7mm	X/X	0-60dB by 10dB	More Details
STA-1055-18-NNN-79	Step Attenuator	18	2	BCH	N/N	F/F	0-60dB by 10dB	More Details
STA-1055-18-SMA-79	Step Attenuator	18	2	BCH	SMA/SMA	F/F	0-60dB by 10dB	More Details
STA-1056-18-7MM-79	Step Attenuator	18	2	BCH	7mm/7mm	X/X	0-69dB	More Details
STA-1056-18-NNN-79	Step Attenuator	18	2	BCH	N/N	F/F	0-69dB	More Details
STA-1056-18-SMA-79	Step Attenuator	18	2	BCH	SMA/SMA	F/F	0-69dB	More Details
Panel Mount Step Attenuators								
STA-1058-04-SMA-05	Step Attenuator	4	2	PNL	N/SMA	F/F	0-60dB by 10dB	More Details
STA-1058-08-SMA-05	Step Attenuator	8	2	PNL	N/SMA	F/F	0-60dB by 10dB	More Details
STA-1058-12-SMA-79	Step Attenuator	12.4	2	PNL	N/SMA	F/F	0-60dB by 10dB	More Details
STA-1058-18-SMA-79	Step Attenuator	18	2	PNL	N/SMA	F/F	0-60dB by 10dB	More Details
STA-1071-04-SMA-07	Step Attenuator	4	2	PNL	SMA/SMA	F/F	0-60dB by 10dB	More Details

Matches 1-50 of 80 found.

[1](#) [2](#) [Next](#)

All rights reserved. ©2002 Midwest Microwave



- [Shopping Cart](#)
- [Order Status](#)
- [Help Desk](#)
- [About Midwest](#)
- [Contact Midwest](#)
- [Authorized Distributors & Sales Representatives](#)
- [Distributors Only](#)

[Customer Login](#) [United States](#)

Try our New Search! [Go](#)

[< Return to Product Categories](#)

SKU	Product	Frequency	Power	Body	Interface	Gender	dB	
Panel Mount Step Attenuators								
STA-1071-08-SMA-07	Step Attenuator	8	2	PNL	SMA/SMA	F/F	0-60dB by 10dB	More Details
STA-1071-12-SMA-07	Step Attenuator	12.4	2	PNL	SMA/SMA	F/F	0-60dB by 10dB	More Details
STA-1071-18-SMA-07	Step Attenuator	18	2	PNL	SMA/SMA	F/F	0-60dB by 10dB	More Details
STA-1072-04-SMA-07	Step Attenuator	4	2	PNL	SMA/SMA	F/F	0-9dB	More Details
STA-1072-08-SMA-07	Step Attenuator	8	2	PNL	SMA/SMA	F/F	0-9dB	More Details
STA-1072-12-SMA-07	Step Attenuator	12.4	2	PNL	SMA/SMA	F/F	0-9dB	More Details
STA-1072-18-SMA-07	Step Attenuator	18	2	PNL	SMA/SMA	F/F	0-9dB	More Details
STA-1081-04-SMA-07	Step Attenuator	4	2	PNL	N/SMA	F/F	0-60dB by 10dB	More Details
STA-1081-08-SMA-07	Step Attenuator	8	2	PNL	N/SMA	F/F	0-60dB by 10dB	More Details
STA-1081-12-SMA-07	Step Attenuator	12.4	2	PNL	N/SMA	F/F	0-60dB by 10dB	More Details
STA-1081-	Step						0-60dB	More

We also have

Attenuator
[BUY NOW](#) Our Price: **\$222.00**



ATT-0640-06-29M-02
 6 dB DC-40 Ghz Attenuator
 Subminiature Minipad
 2.9mm/2.9mm 1 watt
 Passivated

[Click for More Info](#)

Attenuator
[BUY NOW](#) Our Price: **\$131.20**



ATT-0223-20-TNC-02
 20 dB DC-8 Ghz Attenuator
 TNC/TNC 2 watt Passivated

[Click for More Info](#)

18-SMA-07	Attenuator	18	2	PNL	N/SMA	F/F	by 10dB	Details
Special Step Attenuators								
STA-1078-18-SMA-07	Step Attenuator			STD				More Details
Thumbwheel Type Step Attenuators								
STA-1095-08-NNN-05	Step Attenuator	8	2	THM	N/N	F/F	0-9dB	More Details
STA-1095-08-SMA-05	Step Attenuator	8	2	THM	SMA/SMA	F/F	0-9dB	More Details
STA-1095-08-TNC-05	Step Attenuator	8	2	THM	TNC/TNC	F/F	0-9dB	More Details
STA-1095-18-7MM-79	Step Attenuator	18	2	THM	7mm/7mm	X/X	0-9dB	More Details
STA-1095-18-NNN-79	Step Attenuator	18	2	THM	N/N	F/F	0-9dB	More Details
STA-1095-18-SMA-79	Step Attenuator	18	2	THM	SMA/SMA	F/F	0-9dB	More Details
STA-1096-08-NNN-05	Step Attenuator	8	2	THM	N/N	F/F	0-60dB by 10dB	More Details
STA-1096-08-SMA-05	Step Attenuator	8	2	THM	SMA/SMA	F/F	0-60dB by 10dB	More Details
STA-1096-08-TNC-05	Step Attenuator	8	2	THM	TNC/TNC	F/F	0-60dB by 10dB	More Details
STA-1096-18-7MM-79	Step Attenuator	18	2	THM	7mm/7mm	X/X	0-60dB by 10dB	More Details
STA-1096-18-NNN-79	Step Attenuator	18	2	THM	N/N	F/F	0-60dB by 10dB	More Details
STA-1096-18-SMA-79	Step Attenuator	18	2	THM	SMA/SMA	F/F	0-60dB by 10dB	More Details
STA-1097-	Step							More

08-NNN-05	Attenuator	8	2	THM	N/N	F/F	0-60dB	Details
STA-1097-08-SMA-05	Step Attenuator	8	2	THM	SMA/SMA	F/F	0-60dB	More Details
STA-1097-08-TNC-05	Step Attenuator	8	2	THM	TNC/TNC	F/F	0-60dB	More Details
STA-1097-18-7MM-79	Step Attenuator	18	2	THM	7mm/7mm	X/X	0-60dB	More Details
STA-1097-18-NNN-79	Step Attenuator	18	2	THM	N/N	F/F	0-60dB	More Details
STA-1097-18-SMA-79	Step Attenuator	18	2	THM	SMA/SMA	F/F	0-60dB	More Details

[Matches 51-80 of 80 found.](#)
[Previous](#) [1](#) [2](#)

All rights reserved. ©2002 Midwest Microwave