

MMCX RIGHT ANGLE PLUG, SEMI-RIGID ✓ ACTIVE

TE Part # 1408314-1

TE Internal #: 1408314-1

[View on TE.com >](#)



Connectors > RF & Coax Connectors > RF Connectors



RF Interface: **MMCX**

RF Connector Style: **Plug**

RF Connector Mated Outer Diameter (Approximate): **3.3 mm [.129 in]**

Impedance: **50 Ω**

Cable Type: **RG 405**

Features

Product Type Features

RF Interface	MMCX
RF Connector Style	Plug
Connector System	Cable-to-Board
Sealable	No
Connector & Contact Terminates To	Wire & Cable

Configuration Features

Port Configuration	Single Port
Number of Positions	1
Number of Coaxial Contacts	1

Electrical Characteristics

Impedance	50 Ω
-----------	------

Body Features

Cable Connector Orientation	Right Angle
Body Material	Brass
Body Plating Material	Gold



Contact Features

RF Connector Center Contact Plating Material	Gold
RF Connector Center Contact Material	Beryllium Copper

Termination Features

Termination Method to Wire & Cable	Crimp
------------------------------------	-------

Mechanical Attachment

RF Connector Coupling Mechanism	Push-On
Connector Mounting Type	Panel
RF Contact Captivation Method	Mechanical
Detent	Without

Dimensions

Accepts Cable Diameter (Max)	2.25 mm[.089 in]
RF Connector Mated Outer Diameter (Approximate)	3.3 mm[.129 in]

Usage Conditions

Cable Type	RG 405
Operating Temperature Range	-65 – 165 °C[-85 – 329 °F]

Operation/Application

Operating Frequency	6 GHz
---------------------	-------

Packaging Features

Packaging Quantity	100
Packaging Method	Package

Other

Comment	Outer and inner conductor soldered.
---------	-------------------------------------

Product Compliance

[For compliance documentation, visit the product page on TE.com>](#)

EU RoHS Directive 2011/65/EU	Compliant with Exemptions
EU ELV Directive 2000/53/EC	Compliant with Exemptions
China RoHS 2 Directive MIIT Order No 32, 2016	Restricted Materials Above Threshold
EU REACH Regulation (EC) No. 1907/2006	Current ECHA Candidate List: JAN 2019 (197) Candidate List Declared Against: JAN 2019 (197)



Halogen Content	Low Bromine/Chlorine - Br and Cl < 900 ppm per homogenous material. Also BFR /CFR/PVC Free
Solder Process Capability	Not applicable for solder process capability

Product Compliance Disclaimer

This information is provided based on reasonable inquiry of our suppliers and represents our current actual knowledge based on the information they provided. This information is subject to change. The part numbers that TE has identified as EU RoHS compliant have a maximum concentration of 0.1% by weight in homogenous materials for lead, hexavalent chromium, mercury, PBB, PBDE, DBP, BBP, DEHP, DIBP, and 0.01% for cadmium, or qualify for an exemption to these limits as defined in the Annexes of Directive 2011/65/EU (RoHS2). Finished electrical and electronic equipment products will be CE marked as required by Directive 2011/65/EU. Components may not be CE marked. Additionally, the part numbers that TE has identified as EU ELV compliant have a maximum concentration of 0.1% by weight in homogenous materials for lead, hexavalent chromium, and mercury, and 0.01% for cadmium, or qualify for an exemption to these limits as defined in the Annexes of Directive 2000/53/EC (ELV). Regarding the REACH Regulations, TE's information on SVHC in articles for this part number is still based on the European Chemical Agency (ECHA) 'Guidance on requirements for substances in articles' (Version: 2, April 2011), applying the 0.1% weight on weight concentration threshold at the finished product level. TE is aware of the European Court of Justice ruling of September 10th, 2015 also known as O5A (Once An Article Always An Article) stating that, in case of 'complex object', the threshold for a SVHC must be applied to both the product as a whole and simultaneously to each of the articles forming part of its composition. TE has evaluated this ruling based on the new ECHA "Guidance on requirements for substances in articles" (June 2017, version 4.0) and will be updating its statements accordingly.

Compatible Parts

 <p>TE Part # 1408151-1 MMCX PCB RIGHT ANGLE JACK THRU</p>	 <p>TE Part # 6-1460820-2 V23608A1227B 2=MMCX SMD Jack Lead-fr</p>	 <p>TE Part # 1408150-1 MMCX PCB STRAIGHT JACK THRU HO</p>	 <p>TE Part # 6-1460820-1 V23608A1027B 2=SMD Jack L-Fr</p>
 <p>TE Part # 1408152-1 MMCX PCB EDGE MOUNT JACK</p>	 <p>TE Part # 1408152-2 MMCX PCB EDGE MOUNT JACK</p>		

Customers Also Bought

MMCX RIGHT ANGLE PLUG, SEMI-RI

TE Part # 1408314-1
TE Internal #: 1408314-1



TE Part #1408313-1
MMCX STRAIGHT PLUG,
SEMI-RIGID



TE Part #1408152-1
MMCX PCB EDGE
MOUNT JACK



TE Part #5767044-2
MICTOR,R/A,RECPT,.
062,076,ASY



TE Part #2317404-7
AV19 SPL 3A FIXED RING
R&G 12V



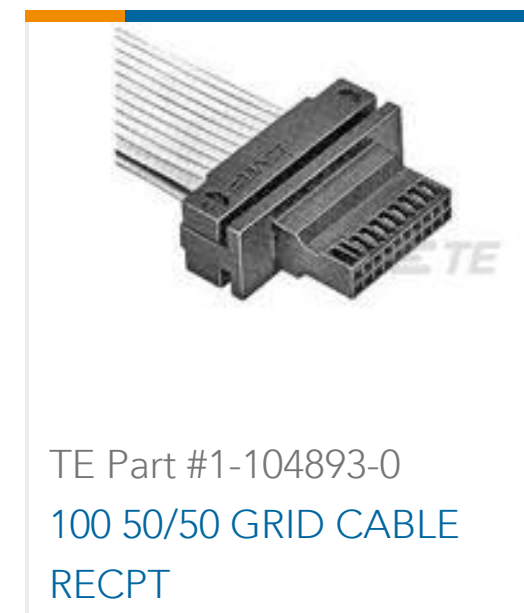
TE Part #2317655-3
AV25 DPM 3A NO LED FL



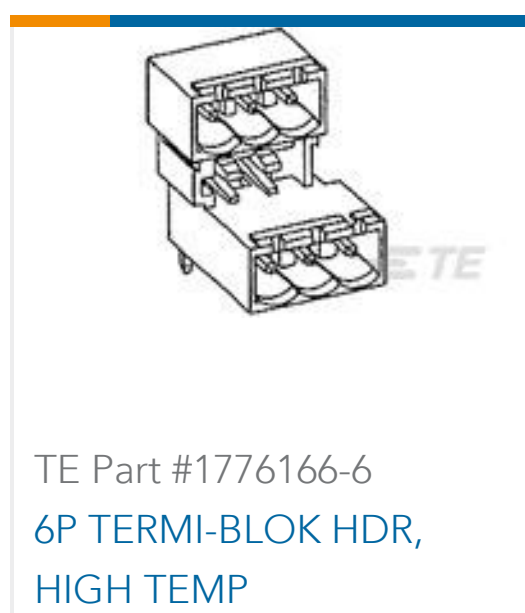
TE Part #1060778-1
5807 5001 09



TE Part #5767055-4
MICT,R/APLUG,ASSY,152,
PDNI



TE Part #1-104893-0
100 50/50 GRID CABLE
RECPT



TE Part #1776166-6
6P TERMI-BLOK HDR,
HIGH TEMP

Documents

Product Drawings

MMCX RIGHT ANGLE PLUG, SEMI-RI

English

CAD Files

3D PDF

English

Customer View Model

ENG_CVM_1408314-1_B.3d_igs.zip

English

Customer View Model

ENG_CVM_1408314-1_B.3d_stp.zip

English

Customer View Model

ENG_CVM_1408314-1_B.2d_dxf.zip

English

Datasheets & Catalog Pages

MCX Connectors



English

Product Environmental Compliance

REACH Substance Communication Document

English