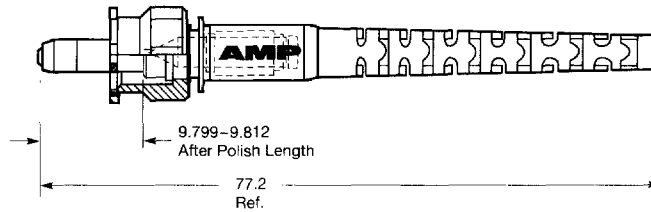
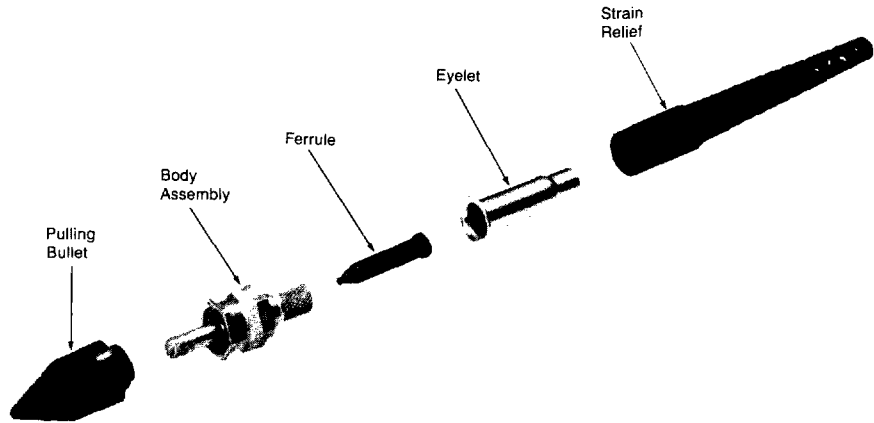


**FSMA Connectors,
MIL-C-83522 Version**

Plugs

Product Facts

- Qualified to MIL-C-83522
- AMP FSMA Type I connector style (resilient tip)
- For 125 and 140 μm fibers
- For 3.0 mm cable diameter
- Simple termination procedure
- Corrosion resistant stainless steel construction
- Environmentally sealed against moisture and industrial fluids
- Safety wire holes
- Ribbed strain relief protects from vibration and flexing



Typical Assembled View

Fiber Diameter (μm)	Part Numbers	
	AMP	MIL-C-835221/
125	501348-1	2-03
140	501348-2	2-04

Performance Characteristics

- Insertion Loss:** 1.5 dB typical
- Durability:** 200 mating cycles (Test Results)
- Cable Retention:** 176.5 N minimum (depending on cable construction)

Materials:

- Body**—Stainless steel, passivated
- Eyelet**—Copper, tin plated
- Ferrule, Connector Tip, Strain Relief Boot**—Thermoplastic

**FSMA Connectors,
MIL-C-83522 Version**

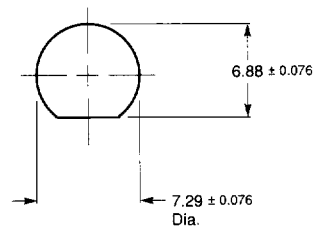
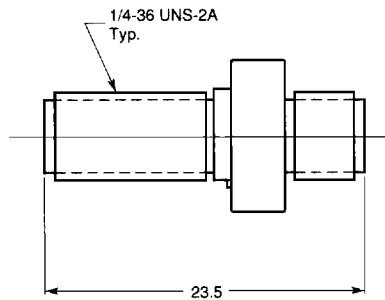
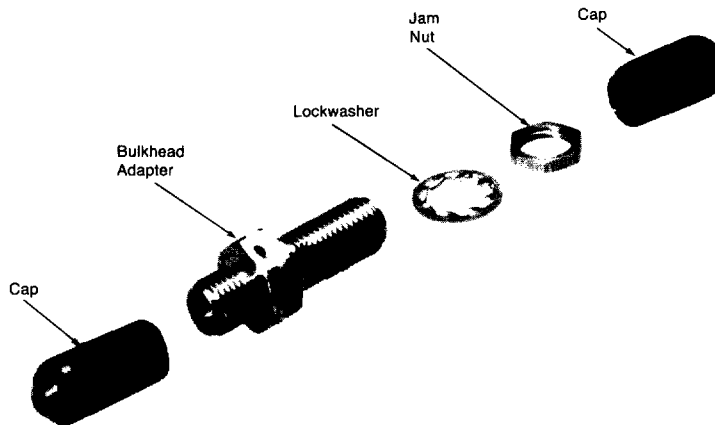
**Receptacle—
Coupling Bushing**
AMP Part No.
501432-1
Military No.
MIL-C-83522/3-02

Product Facts

- Qualified to MIL-C-83522
- Use with two FSMA MIL-C-83522 plugs (see page 6023)
- Corrosion resistant stainless steel construction
- Performance and reliability at low cost
- Metal body ensures EMI/RFI shielding for sensitive electro-optic circuitry
- Safety wire holes

Material:

Stainless steel, passivated



Recommended Panel Cutout

6

Fiber Optics

**Active Device
Mounts**

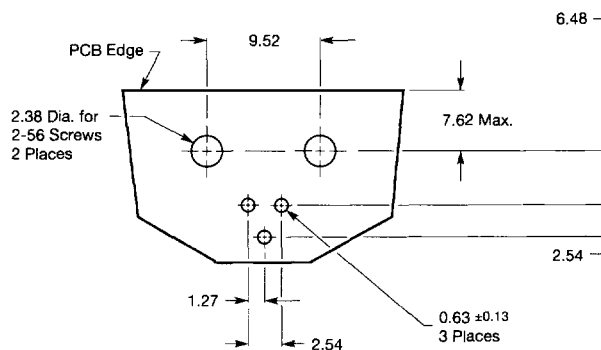
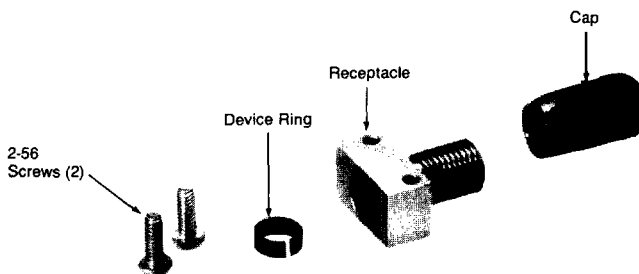
Product Facts

- Qualified to MIL-C-83522
- Accepts TO-18, TO-46 and TO-52 type active devices
- Use with one FSMA MIL-C-83522 plug (see page 6023)
- Corrosion resistant stainless steel construction

Material:

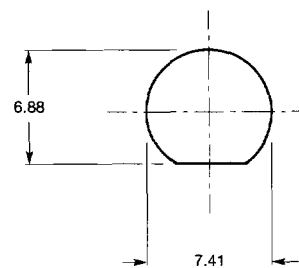
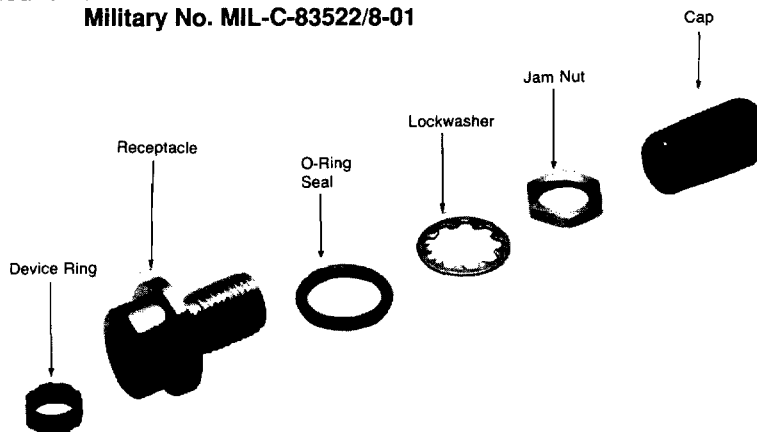
Stainless steel, passivated

**PC Board Mount—AMP Part No. 501433-1
Military No. MIL-C-83522/4-01**



Recommended PC Board Layout

**Panel Mount—AMP Part No. 501434-1
Military No. MIL-C-83522/8-01**



Recommended Panel Cutout