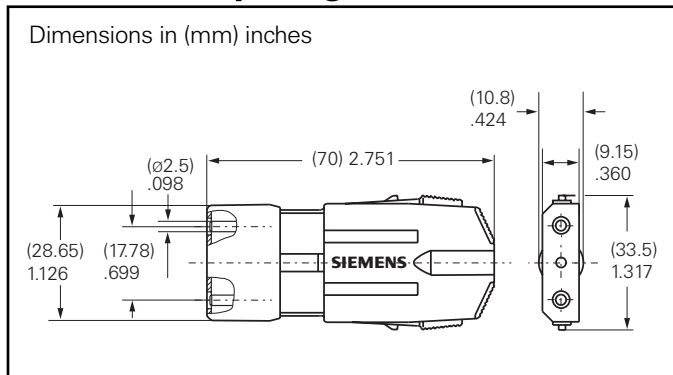


## ESCON® Wrap Plug



### FEATURES

- Push-pull design
- Shock-proof plastic connector housing
- Option of delivery with or without Siemens logo
- Zirconia/plastic ferrules

### APPLICATIONS

Siemens wrap plugs are used

- by board manufacturers
- during field installation of systems
- for maintenance of implemented systems
- for test purposes

### TECHNICAL DATA

Parameter	Min.	Typ.	Max.	Unit
Short Circuit Loss			≤7	dB
—with plastic ferrules			≤1*	
Storage Temperature	-40		70	°C
Storage Humidity			95	%
Operating Temperature	0		70	°C
Operating Humidity			95	%
Insertion Force		30	80	N
Withdrawal Force		1	45	

\* other values on request

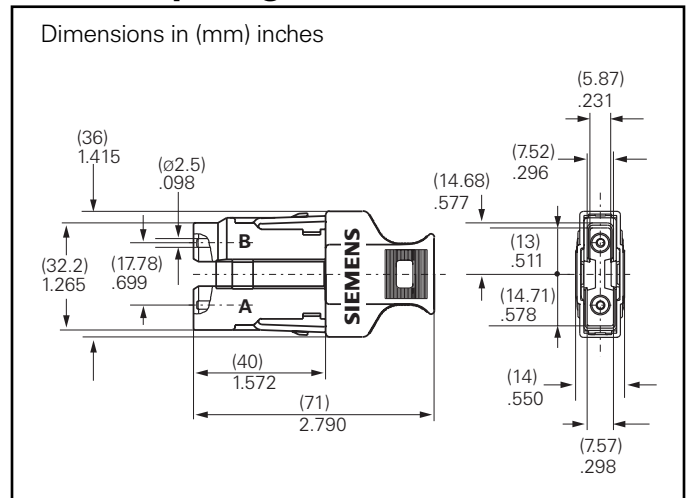
### ORDERING INFORMATION

Description	Article Number (outside US)	Part Number (in US)
ESCON® Wrap Plug, multimode	V23834-H1-E1	JD062QL0001
ESCON® Wrap Plug, single mode	V23834-H1-E2	
ESCON® Wrap Plug, plastic ferrules	V23834-H1-E3	

ESCON® is a registered trademark of IBM.

Semiconductor Group

## FDDI Wrap Plug



### TECHNICAL DATA

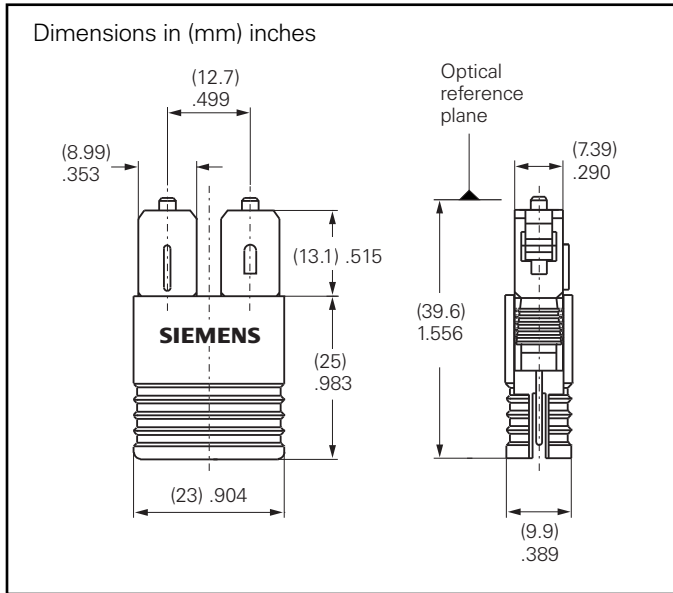
Parameter	Min.	Typ.	Max.	Unit
Short Circuit Loss			11*	dB
Storage Temperature	-40		70	
Storage Humidity			95	%
Operating Temperature	0		70	°C
Operating Humidity			95	%
Insertion Force			30	N
Withdrawal Force			15	

\* other values on request

### ORDERING INFORMATION

Description	Article Number (outside US)	Part Number (in US)
FDDI Wrap Plug, multimode	V23834-K1-F1	JD062FL000
FDDI Wrap Plug, single mode	V23834-K1-F2	

# SC Wrap Plug



## TECHNICAL DATA

Parameter	Min.	Typ.	Max.	Unit
Short Circuit Loss			1 *	dB
Storage Temperature	-40		70	°C
Storage Humidity			98	%
Operating Temperature	0		70	°C
Operating Humidity			93	%
Insertion Force		25	80	N
Withdrawal Force			25	

\* other values on request

## ORDERING INFORMATION

Description	Article Number (outside US)	Part Number (in US)
SC Wrap Plug, multimode (62.5/125 μm)	V23834-H2-C1	
SC Wrap Plug, multimode (50/125 μm)	V23834-H2-B1	
SC Wrap Plug, single mode (9/125 μm)	V23834-H2-A1	