
HD74LV123A

Dual Retriggerable Monostable Multivibrators

HITACHI

ADE-205-258C (Z)

4th Edition
January 2001

Description

The HD74LV123A features output pulse-duration control by three methods. In the first method, the A input is low and the B input goes high. In the second method, the B input is high and the A input goes low. In the third method, the A input is low, the B input is high, and the clear (CLR) input goes high.

The basic pulse duration is programmed by selecting external resistance and capacitance values.

The external timing capacitor must be connected between Cext and Rext/Cext (positive) and an external resistor connected between Rext/Cext and Vcc

To obtain variable pulse durations, connect an external variable resistance between Rext/Cext and Vcc.

Once triggered, the basic pulse duration can be extended by retriggering the gated low-level-active (A) or high-level-active (B) input. Pulse duration can be reduced by taking CLR low.

Features

- $V_{CC} = 2.0\text{ V to }5.5\text{ V}$ operation
- All inputs $V_{IH}(\text{Max.}) = 5.5\text{ V}$ (@ $V_{CC} = 0\text{ V to }5.5\text{ V}$)
- All outputs $V_O(\text{Max.}) = 5.5\text{ V}$ (@ $V_{CC} = 0\text{ V}$)
- Output current $\pm 6\text{ mA}$ (@ $V_{CC} = 3.0\text{ V to }3.6\text{ V}$), $\pm 12\text{ mA}$ (@ $V_{CC} = 4.5\text{ V to }5.5\text{ V}$)

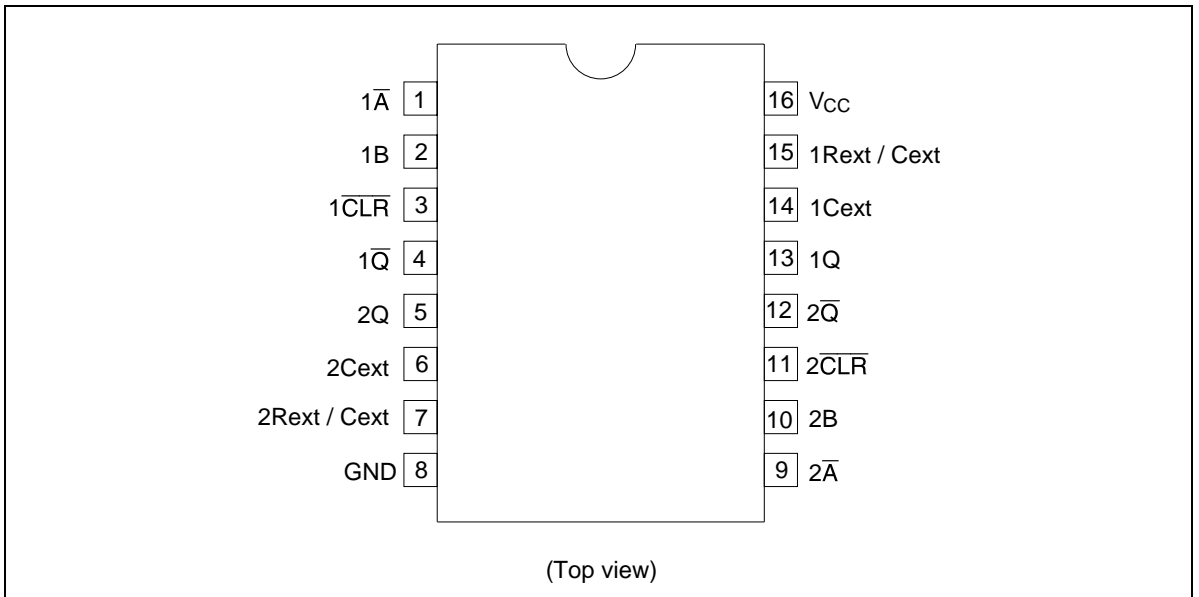
HD74LV123A

Function Table

Inputs			Outputs	
CLR	A	B	Q	Q
L	X	X	L	H
H	H	X	L	H
H	X	L	L	H
H	L	↑	⌊	⌋
H	↓	H	⌊	⌋
↑	L	H	⌊	⌋

Note: H: High level
L: Low level
X: Immaterial
↑: Low to high transition
↓: High to low transition
⌊: High level pulse
⌋: Low level pulse

Pin Arrangement



Absolute Maximum Ratings

Item	Symbol	Ratings	Unit	Conditions
Supply voltage range	V_{CC}	-0.5 to 7.0	V	
Input voltage range* ¹	V_I	-0.5 to 7.0	V	
Output voltage range* ^{1, 2}	V_O	-0.5 to $V_{CC} + 0.5$ -0.5 to 7.0	V	Output: H or L V_{CC} : OFF
Input clamp current	I_{IK}	-20	mA	$V_I < 0$
Output clamp current	I_{OK}	± 50	mA	$V_O < 0$ or $V_O > V_{CC}$
Continuous output current	I_O	± 25	mA	$V_O = 0$ to V_{CC}
Continuous current through V_{CC} or GND	I_{CC} or I_{GND}	± 50	mA	
Maximum power dissipation at $T_a = 25^\circ\text{C}$ (in still air)* ³	P_T	785	mW	SOP
		500		TSSOP
Storage temperature	T_{stg}	-65 to 150	$^\circ\text{C}$	

Notes: The absolute maximum ratings are values which must not individually be exceeded, and furthermore, no two of which may be realized at the same time.

1. The input and output voltage ratings may be exceeded if the input and output clamp-current ratings are observed.
2. This value is limited to 5.5 V maximum.
3. The maximum package power dissipation was calculated using a junction temperature of 150°C .

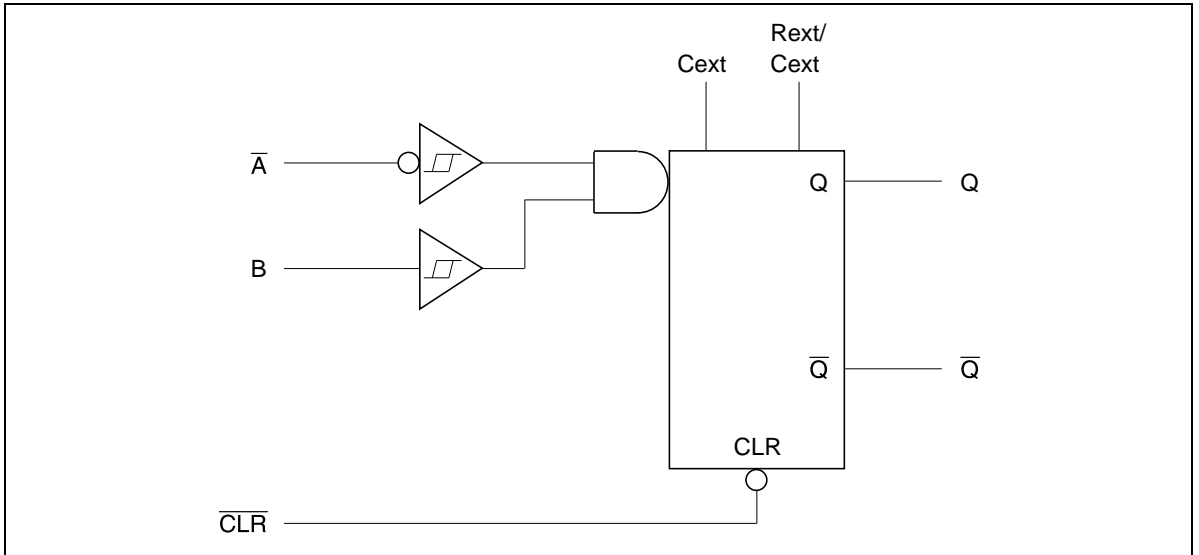
HD74LV123A

Recommended Operating Conditions

Item	Symbol	Min	Typ	Max	Unit	Conditions
Supply voltage range	V_{CC}	2.0	—	5.5	V	
Input voltage range	V_I	0	—	5.5	V	
Output voltage range	V_O	0	—	V_{CC}	V	
Output current	I_{OH}	—	—	-50	μA	$V_{CC} = 2.0 V$
		—	—	-2	mA	$V_{CC} = 2.3 \text{ to } 2.7 V$
		—	—	-6		$V_{CC} = 3.0 \text{ to } 3.6 V$
		—	—	-12		$V_{CC} = 4.5 \text{ to } 5.5 V$
	I_{OL}	—	—	50	μA	$V_{CC} = 2.0 V$
		—	—	2	mA	$V_{CC} = 2.3 \text{ to } 2.7 V$
		—	—	6		$V_{CC} = 3.0 \text{ to } 3.6 V$
		—	—	12		$V_{CC} = 4.5 \text{ to } 5.5 V$
Input transition rise or fall rate	$\Delta t / \Delta v$	0	—	200	ns/V	$V_{CC} = 2.3 \text{ to } 2.7 V$
		0	—	100		$V_{CC} = 3.0 \text{ to } 3.6 V$
		0	—	20		$V_{CC} = 4.5 \text{ to } 5.5 V$
External timing resistance	R_{ext}	5	—	—	k Ω	$V_{CC} = 2.0 V$
		1	—	—		$V_{CC} \geq 2.3 V$
External timing capacitance	C_{ext}	—	Unlimited	—	F	
Power-up ramp rate	$\Delta t / \Delta V_{CC}$	1	—	—	ms/V	
Operating free-air temperature	T_a	-40	—	85	$^{\circ}C$	

Note: Unused or floating inputs must be held high or low.

Logic Diagram



HD74LV123A

DC Electrical Characteristics

Ta = -40 to 85°C

Item	Symbol	V _{CC} (V)*	Min	Typ	Max	Unit	Test Conditions
Input voltage	V _{IH}	2.0	1.5	—	—	V	
		2.3 to 2.7	V _{CC} × 0.7	—	—		
		3.0 to 3.6	V _{CC} × 0.7	—	—		
		4.5 to 5.5	V _{CC} × 0.7	—	—		
	V _{IL}	2.0	—	—	0.5		
		2.3 to 2.7	—	—	V _{CC} × 0.3		
		3.0 to 3.6	—	—	V _{CC} × 0.3		
		4.5 to 5.5	—	—	V _{CC} × 0.3		
Output voltage	V _{OH}	Min to Max	V _{CC} - 0.1	—	—	V	I _{OH} = -50 μA
		2.3	2.0	—	—		I _{OH} = -2 mA
		3.0	2.48	—	—		I _{OH} = -6 mA
		4.5	3.8	—	—		I _{OH} = -12 mA
	V _{OL}	Min to Max	—	—	0.1		I _{OL} = 50 μA
		2.3	—	—	0.4		I _{OL} = 2 mA
		3.0	—	—	0.44		I _{OL} = 6 mA
		4.5	—	—	0.55		I _{OL} = 12 mA
Input current	I _{IN}	0 to 5.5	—	—	±1	μA	V _{IN} = 5.5 V or GND
Input current Rext / Cext	I _{IN}	5.5	—	—	±2.5	μA	V _{IN} = V _{CC} or GND
Quiescent supply current	I _{CC}	5.5	—	—	20	μA	V _{IN} = V _{CC} or GND, I _O = 0
Active state supply current (per circuit)	ΔI _{CC}	2.3	—	—	220	μA	V _{IN} = V _{CC} or GND Rext/Cext = 0.5 V _{CC}
		3.0	—	—	280		
		4.5	—	—	650		
		5.5	—	—	975		
Output leakage current	I _{OFF}	0	—	—	5	μA	V _O = 5.5 V
Input capacitance	C _{IN}	3.3	—	4.0	—	pF	V _I = V _{CC} or GND

Note: For conditions shown as Min or Max, use the appropriate values under recommended operating conditions.

Switching Characteristics

$V_{CC} = 2.5 \pm 0.2 \text{ V}$

Item	Symbol	Ta = 25°C			Ta = -40 to 85°C		Unit	Test Conditions	FROM (Input)	TO (Output)
		Min	Typ	Max	Min	Max				
Propagation delay time	t _{PLH}	—	13.5	31.4	1.0	37.0	ns	C _L = 15 pF	A or B	Q or Q
	t _{PHL}	—	16.0	36.0	1.0	42.0		C _L = 50 pF		
		—	11.0	25.0	1.0	29.5		C _L = 15 pF	CLR	Q or Q
		—	13.0	32.8	1.0	34.5		C _L = 50 pF		
		—	14.0	33.4	1.0	39.0		C _L = 15 pF	CLR	Q or Q
		—	16.0	38.0	1.0	44.0		C _L = 50 pF	(Trigger)	
Output pulse width	t _{wQ}	—	170	260	—	320	ns	C _L = 50 pF, C _{ext} = 28 pF, R _{ext} = 2 kΩ		
		90	100	110	90	110	μs	C _L = 50 pF, C _{ext} = 0.01 μF, R _{ext} = 10 kΩ		
		0.9	1.0	1.1	0.9	1.1	ms	C _L = 50 pF, C _{ext} = 0.1 μF, R _{ext} = 10 kΩ		
	Δt _{wQ}	—	±1	—	—	—	%	C _L = 50 pF		
Pulse width	t _w	6.0	—	—	6.5	—	ns	A, B or CLR		
Retrigger time	t _{rr}	—	40	—	—	—	ns	A, or B (R _{ext} = 1 kΩ, C _{ext} = 100 pF)		
		—	1.5	—	—	—	μs	A, or B (R _{ext} = 1 kΩ, C _{ext} = 0.01 μF)		

HD74LV123A

Switching Characteristics (cont)

$$V_{CC} = 3.3 \pm 0.3 \text{ V}$$

Item	Symbol	Ta = 25°C			Ta = -40 to 85°C		Unit	Test Conditions	FROM (Input)	TO (Output)
		Min	Typ	Max	Min	Max				
Propagation delay time	t _{PLH}	—	9.7	20.6	1.0	24.0	ns	C _L = 15 pF	A or B	Q or Q
	t _{PHL}	—	11.5	24.1	1.0	27.5		C _L = 50 pF		
		—	8.0	15.8	1.0	18.5		C _L = 15 pF	CLR	Q or Q
		—	9.5	19.3	1.0	22.0		C _L = 50 pF		
		—	9.9	22.4	1.0	26.0		C _L = 15 pF	CLR	Q or Q
		—	11.5	25.9	1.0	29.5		C _L = 50 pF	(Trigger)	
Output pulse width	t _{wQ}	—	150	240	—	300	ns	C _L = 50 pF, C _{ext} = 28 pF, R _{ext} = 2 kΩ		
		90	100	110	90	110	μs	C _L = 50 pF, C _{ext} = 0.01 μF, R _{ext} = 10 kΩ		
		0.9	1.0	1.1	0.9	1.1	ms	C _L = 50 pF, C _{ext} = 0.1 μF, R _{ext} = 10 kΩ		
	Δt _{wQ}	—	±1	—	—	—	%	C _L = 50 pF		
Pulse width	t _w	5.0	—	—	5.0	—	ns	A, B or CLR		
Retrigger time	t _{rr}	—	30	—	—	—	ns	A, or B (R _{ext} = 1 kΩ, C _{ext} = 100 pF)		
		—	1.2	—	—	—	μs	A, or B (R _{ext} = 1 kΩ, C _{ext} = 0.01 μF)		

Switching Characteristics (cont)

$V_{CC} = 5.0 \pm 0.5 \text{ V}$

Item	Symbol	Ta = 25°C			Ta = -40 to 85°C		Unit	Test Conditions	FROM (Input)	TO (Output)
		Min	Typ	Max	Min	Max				
Propagation delay time	t _{PLH}	—	7.3	12.0	1.0	14.0	ns	C _L = 15 pF	A or B	Q or Q
	t _{PHL}	—	8.5	14.0	1.0	16.0		C _L = 50 pF		
		—	5.9	9.4	1.0	11.0		C _L = 15 pF	CLR	Q or Q
		—	7.5	11.4	1.0	13.0		C _L = 50 pF		
		—	7.3	12.9	1.0	15.0		C _L = 15 pF	CLR	Q or Q
		—	8.7	14.9	1.0	17.0		C _L = 50 pF	(Trigger)	
Output pulse width	t _{wQ}	—	140	200	—	240	ns	C _L = 50 pF, C _{ext} = 28 pF, R _{ext} = 2 kΩ		
		90	100	110	90	110	μs	C _L = 50 pF, C _{ext} = 0.01 μF, R _{ext} = 10 kΩ		
		0.9	1.0	1.1	0.9	1.1	ms	C _L = 50 pF, C _{ext} = 0.1 μF, R _{ext} = 10 kΩ		
	Δt _{wQ}	—	±1	—	—	—	%	C _L = 50 pF		
Pulse width	t _w	5.0	—	—	5.0	—	ns	A, B or CLR		
Retrigger time	t _{rr}	—	20	—	—	—	ns	A, or B (R _{ext} = 1 kΩ, C _{ext} = 100 pF)		
		—	0.95	—	—	—	μs	A, or B (R _{ext} = 1 kΩ, C _{ext} = 0.01 μF)		

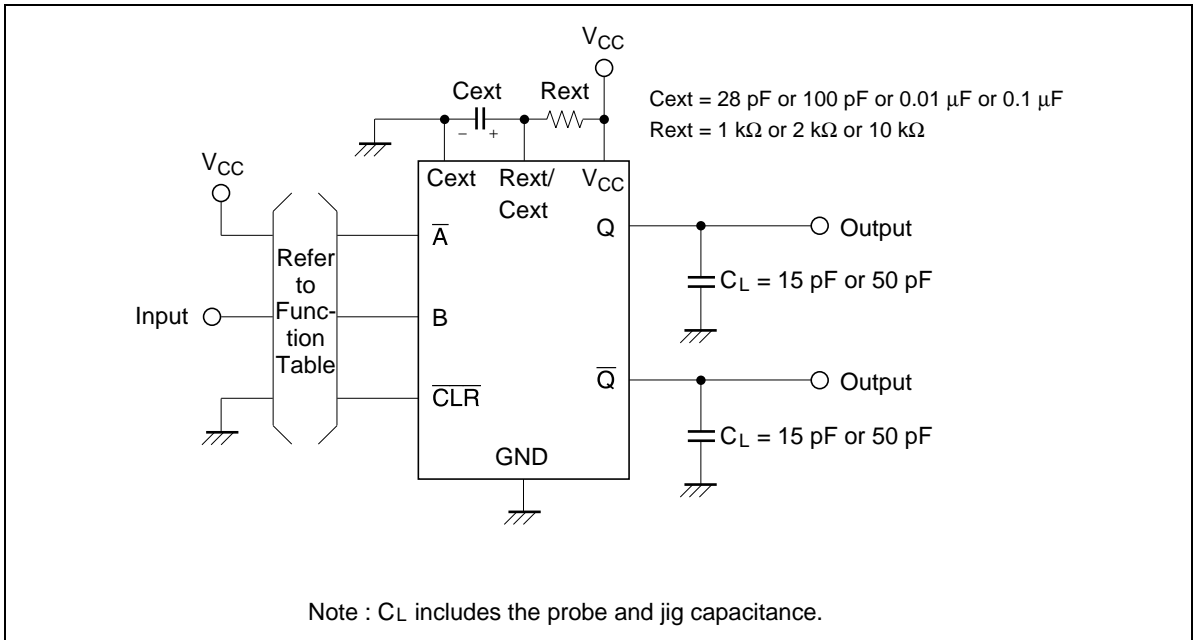
HD74LV123A

Operating Characteristics

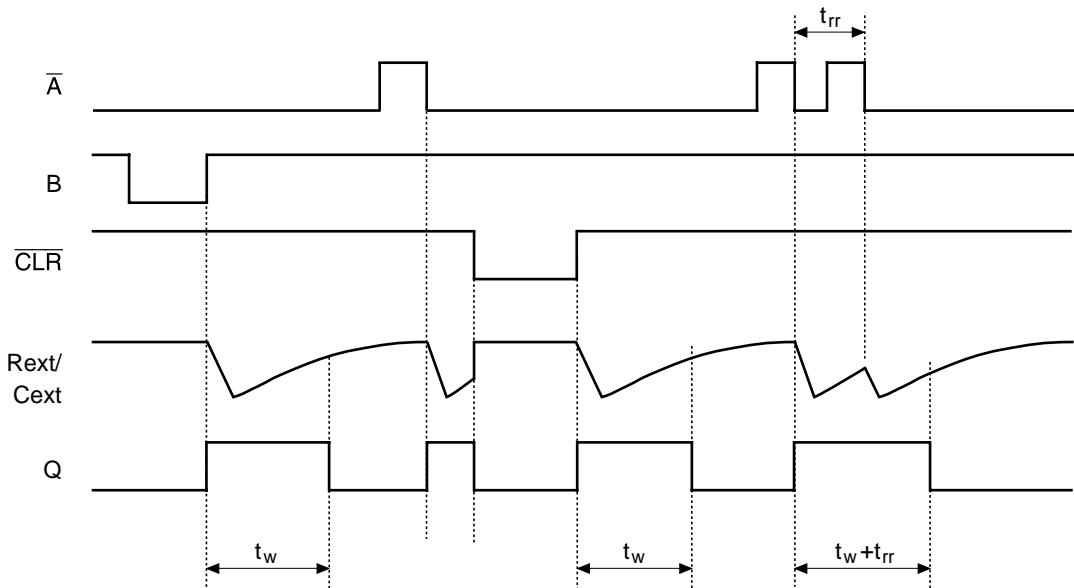
$C_L = 50 \text{ pF}$

Item	Symbol	V_{CC} (V)	$T_a = 25^\circ\text{C}$			Unit	Test Conditions
			Min	Typ	Max		
Power dissipation capacitance	C_{PD}	3.3	—	74.0	—	pF	$f = 10 \text{ MHz}$
		5.0	—	86.0	—		

Test Circuit



Timing diagram



Caution in use

In order to prevent any malfunctions due to noise, connect a high frequency performance capacitor between Vcc and GND, and keep the wiring between the External components and Cext, Rext/Cext pins as short as possible.

Large values of Cext may cause problems when powering down the HD74LV123A because of the amount of energy stored in the capacitor. When a system containing this device is powered down, the capacitor may discharge from Vcc through the protection diodes at pin 7 or pin 15.

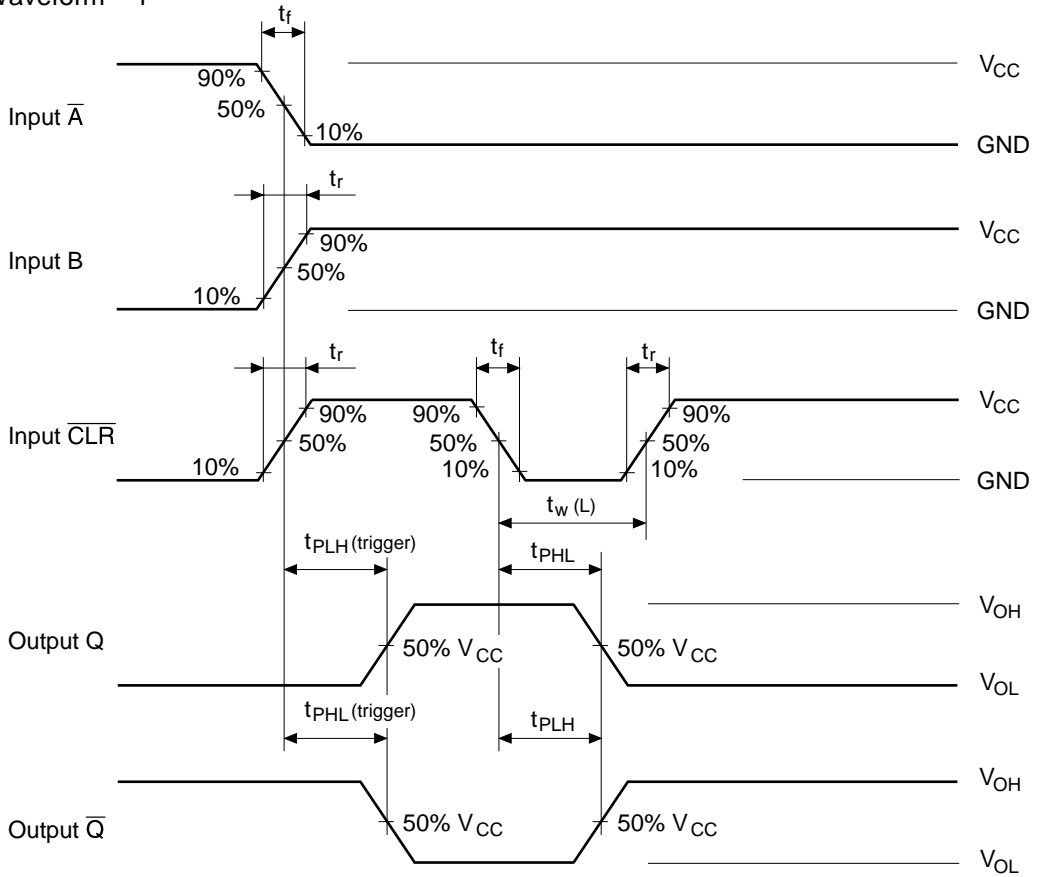
Current through the input protection diodes must be limited to 20 mA; therefore, the turn-off time of the Vcc power supply must not be faster than $t = V_{cc} \cdot C_{ext} / (20 \text{ mA})$. For example, if $V_{cc} = 5 \text{ V}$ and $C_{ext} = 22 \mu\text{F}$, the Vcc supply must turn off no faster than $t = (5 \text{ V}) \cdot (22 \mu\text{F}) / 20 \text{ mA} = 5.5 \text{ ms}$. This is usually not a problem because power supplies are heavily filtered and cannot discharge at this rate.

When a more rapid decrease of Vcc to zero volts occurs, the HD74LV123A may sustain damage. To avoid this possibility, use an external clamping diode.

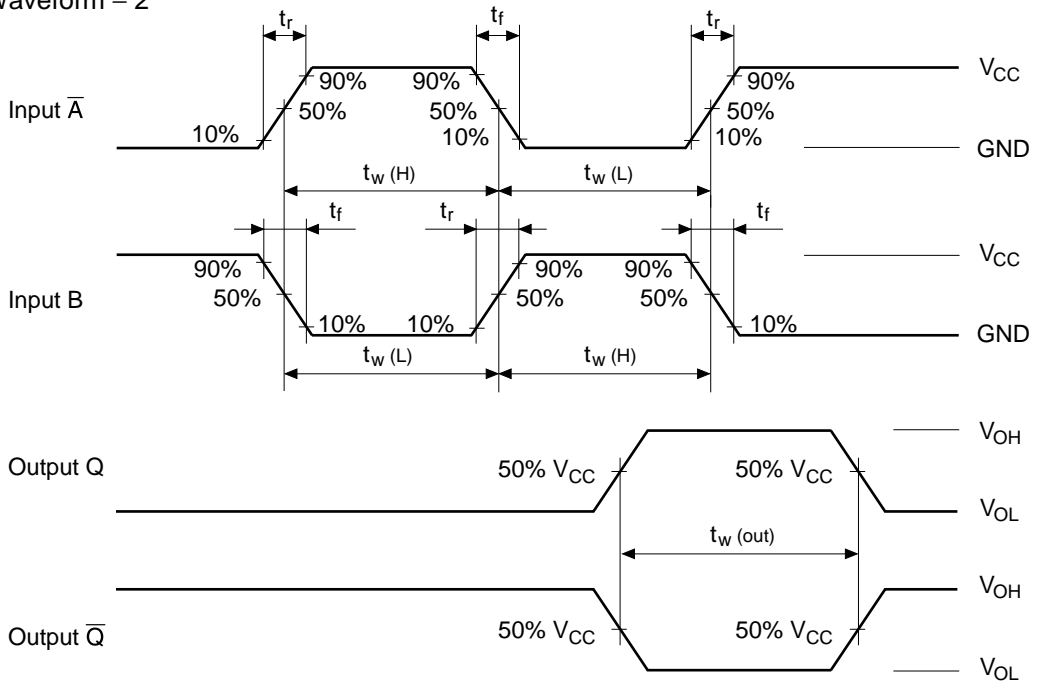
The input pins for unused circuit should be used under conditions to fix the outputs to avoid malfunction caused by noises. Also, it's recommended that Rext / Cext terminals are open and external parts are not connected to.

HD74LV123A

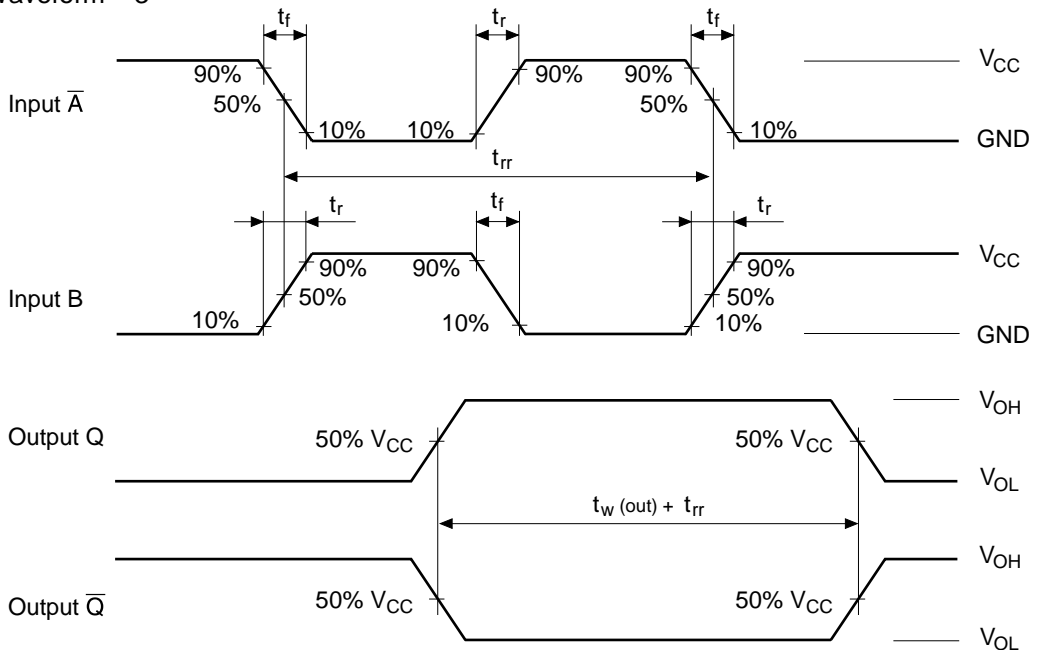
• Waveform – 1



• Waveform – 2



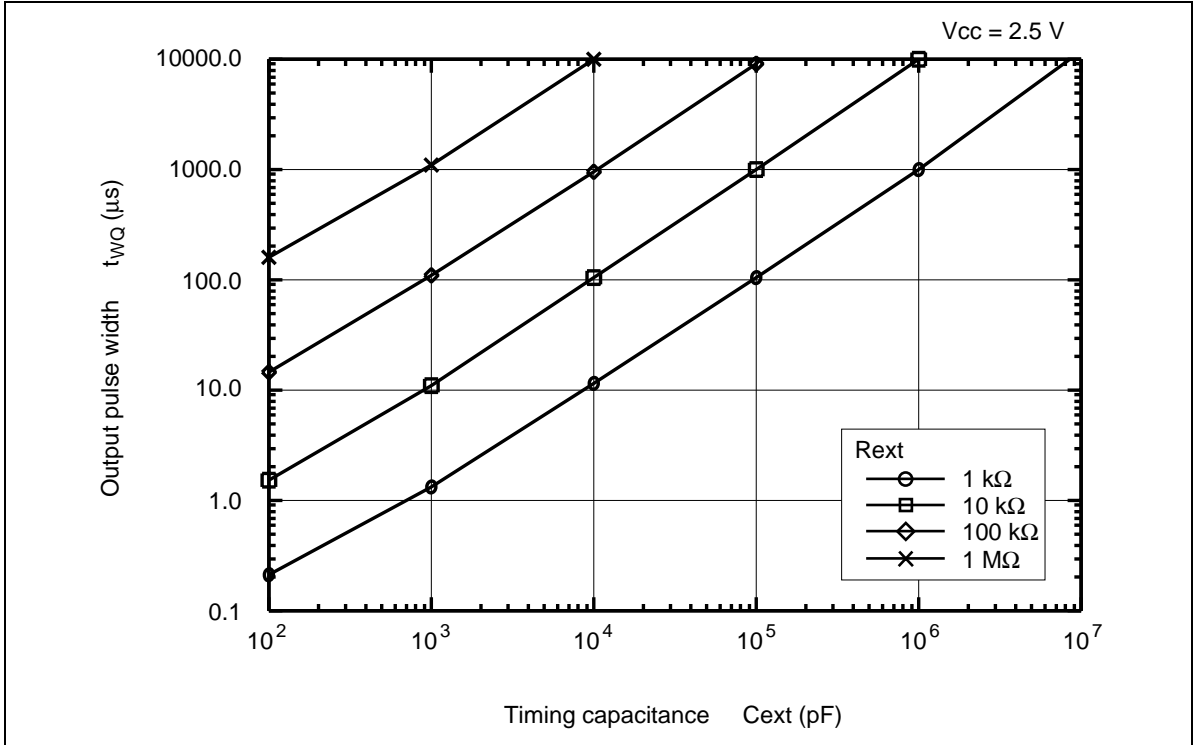
• Waveform – 3

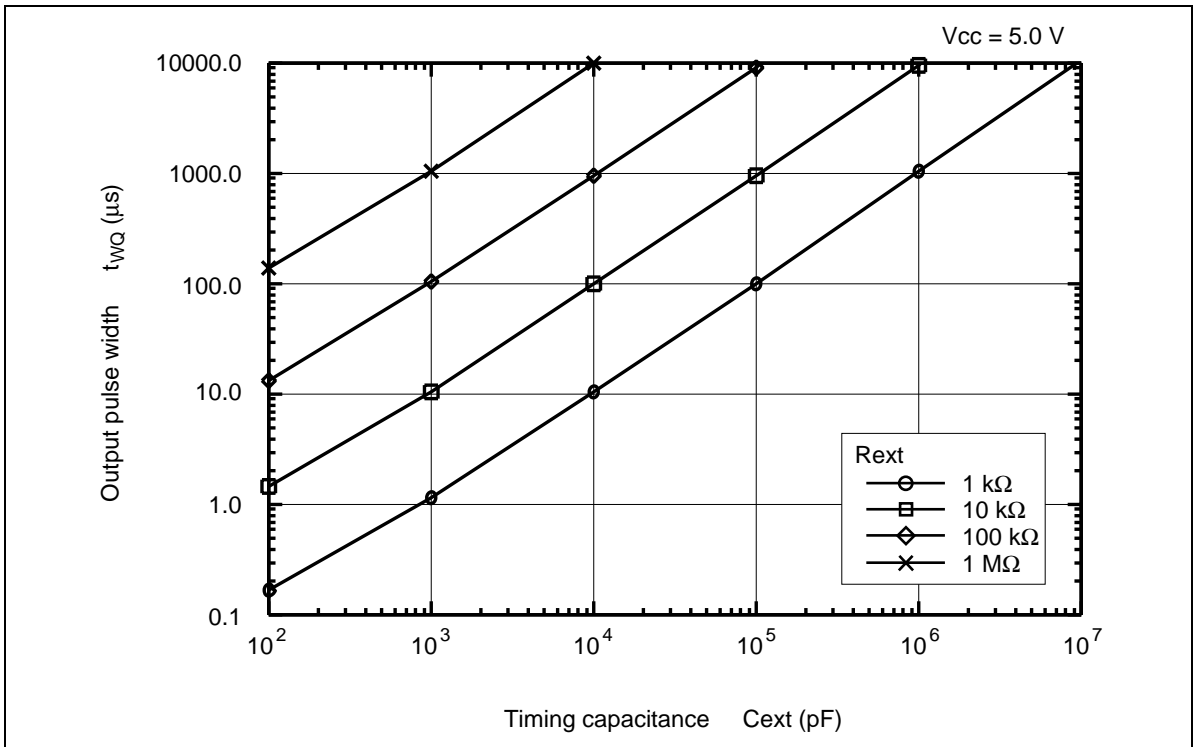
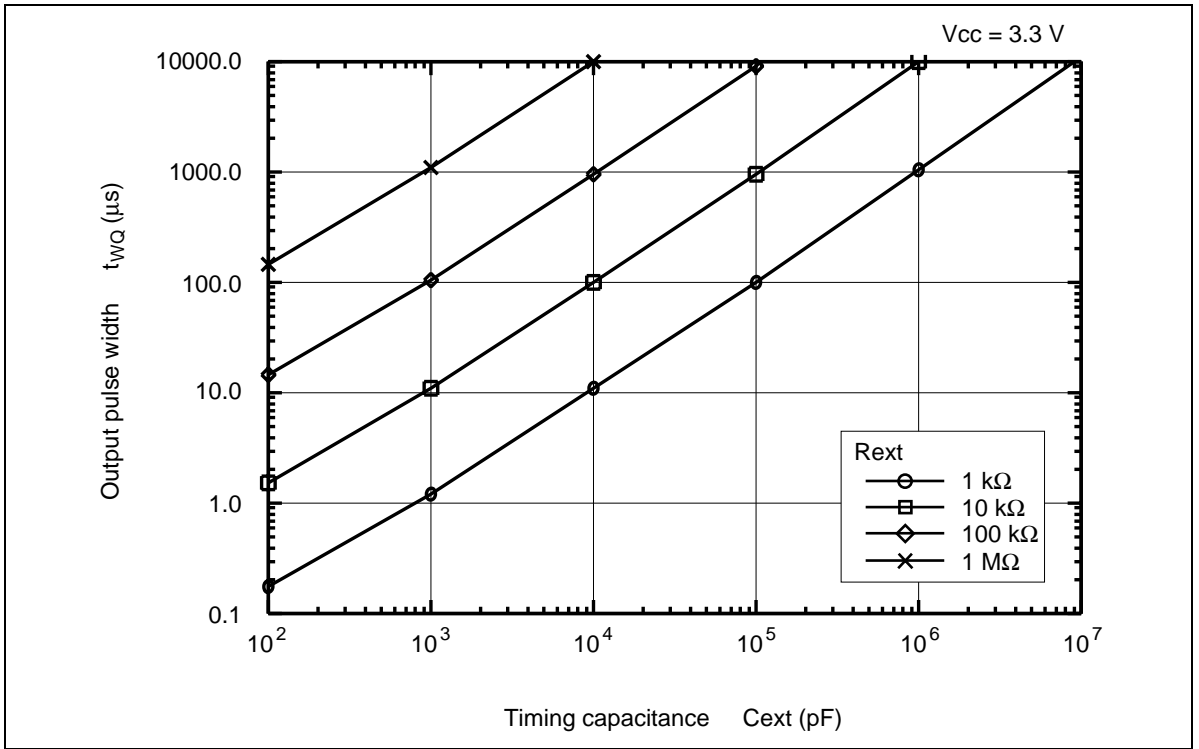


Notes: 1. Input waveform: PRR \leq 1 MHz, $Z_o = 50 \Omega$, $t_r \leq 3$ ns, $t_f \leq 3$ ns
 2. The output are measured one at a time with one transition per measurement.

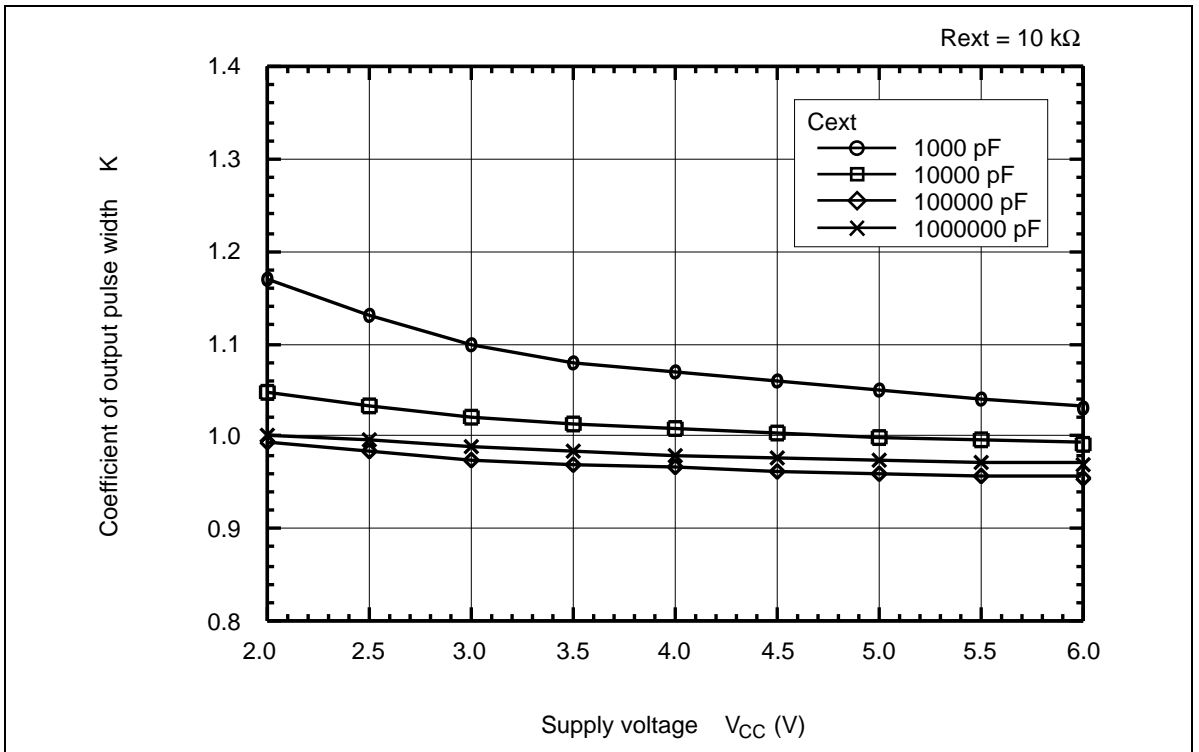
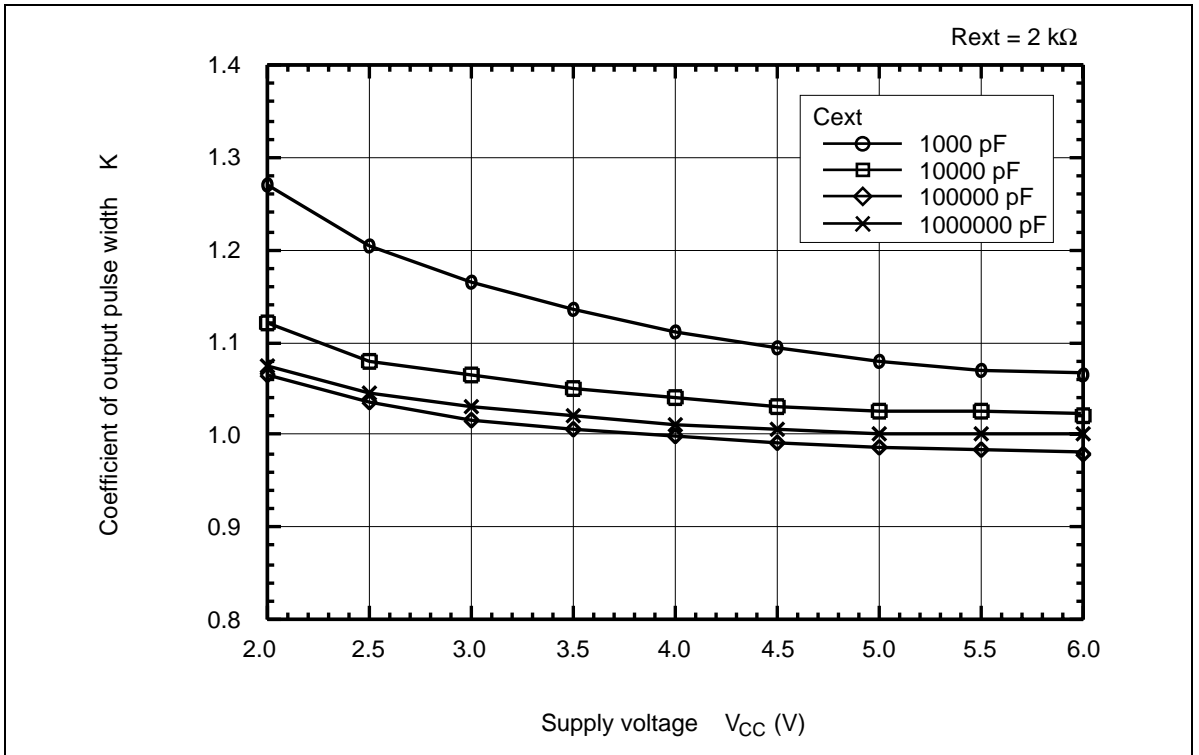
HD74LV123A

Application Data



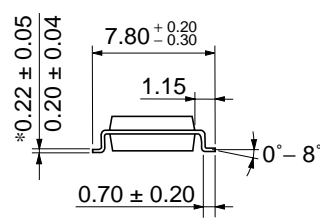
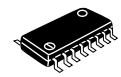
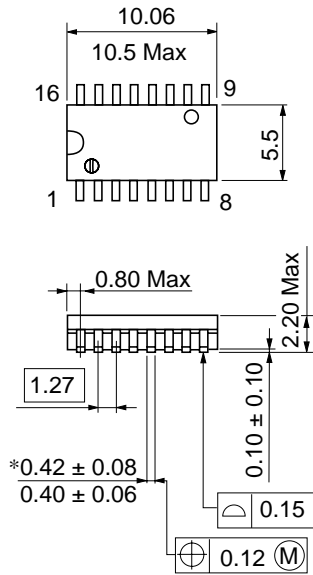


HD74LV123A



Package Dimensions

Unit: mm

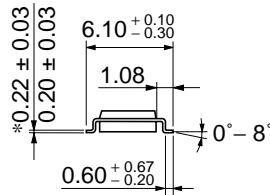
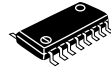
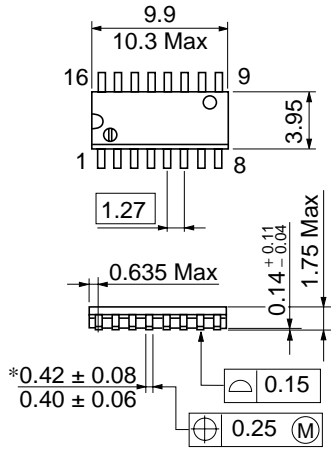


*Dimension including the plating thickness
Base material dimension

Hitachi Code	FP-16DA
JEDEC	-
EIAJ	Conforms
Mass (reference value)	0.24 g

HD74LV123A

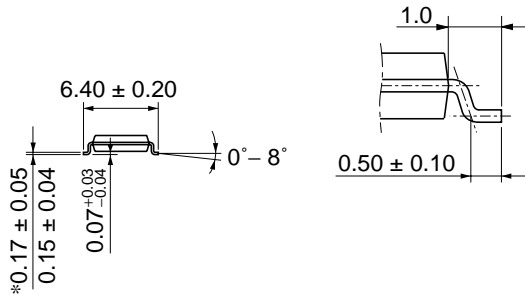
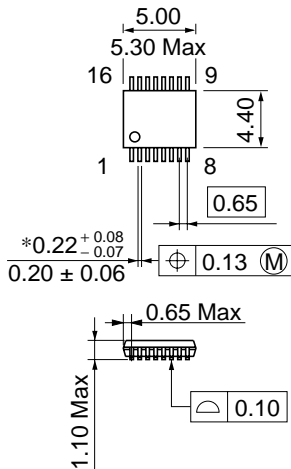
Unit: mm



*Dimension including the plating thickness
Base material dimension

Hitachi Code	FP-16DN
JEDEC	Conforms
EIAJ	Conforms
Mass (reference value)	0.15 g

Unit: mm



*Dimension including the plating thickness
Base material dimension

Hitachi Code	TTP-16DA
JEDEC	-
EIAJ	-
Mass (reference value)	0.05 g

Disclaimer

1. Hitachi neither warrants nor grants licenses of any rights of Hitachi's or any third party's patent, copyright, trademark, or other intellectual property rights for information contained in this document. Hitachi bears no responsibility for problems that may arise with third party's rights, including intellectual property rights, in connection with use of the information contained in this document.
2. Products and product specifications may be subject to change without notice. Confirm that you have received the latest product standards or specifications before final design, purchase or use.
3. Hitachi makes every attempt to ensure that its products are of high quality and reliability. However, contact Hitachi's sales office before using the product in an application that demands especially high quality and reliability or where its failure or malfunction may directly threaten human life or cause risk of bodily injury, such as in aerospace, aeronautics, nuclear power, combustion control, transportation, traffic, safety equipment or medical equipment for life support.
4. Design your application so that the product is used within the ranges guaranteed by Hitachi particularly for maximum rating, operating supply voltage range, heat radiation characteristics, installation conditions and other characteristics. Hitachi bears no responsibility for failure or damage when used beyond the guaranteed ranges. Even within the guaranteed ranges, consider normally foreseeable failure rates or failure modes in semiconductor devices and employ systemic measures such as fail-safe devices, so that the equipment incorporating the Hitachi product does not cause bodily injury, fire or other consequential damage due to operation of the Hitachi product.
5. This product is not designed to be radiation resistant.
6. No one is permitted to reproduce or duplicate, in any form, the whole or part of this document without written approval from Hitachi.
7. Contact Hitachi's sales office for any questions regarding this document or Hitachi semiconductor products.

Sales Offices

HITACHI

Hitachi, Ltd.

Semiconductor & Integrated Circuits.
 Nippon Bldg., 2-6-2, Ohte-machi, Chiyoda-ku, Tokyo 100-0004, Japan
 Tel: Tokyo (03) 3270-2111 Fax: (03) 3270-5109

URL NorthAmerica : <http://semiconductor.hitachi.com/>
 Europe : <http://www.hitachi-eu.com/hel/ecg>
 Asia : <http://sicapac.hitachi-asia.com>
 Japan : <http://www.hitachi.co.jp/Sicd/indx.htm>

For further information write to:

Hitachi Semiconductor
 (America) Inc.
 179 East Tasman Drive,
 San Jose, CA 95134
 Tel: <1> (408) 433-1990
 Fax: <1> (408) 433-0223

Hitachi Europe GmbH
 Electronic Components Group
 Domacher Straße 3
 D-85622 Feldkirchen, Munich
 Germany
 Tel: <49> (89) 9 9180-0
 Fax: <49> (89) 9 29 30 00

Hitachi Europe Ltd.
 Electronic Components Group.
 Whitebrook Park
 Lower Cookham Road
 Maidenhead
 Berkshire SL6 8YA, United Kingdom
 Tel: <44> (1628) 585000
 Fax: <44> (1628) 585160

Hitachi Asia Ltd.
 Hitachi Tower
 16 Collyer Quay #20-00,
 Singapore 049318
 Tel: <65>-538-6533/538-8577
 Fax: <65>-538-6933/538-3877
 URL : <http://www.hitachi.com.sg>

Hitachi Asia Ltd.
 (Taipei Branch Office)
 4/F, No. 167, Tun Hwa North Road,
 Hung-Kuo Building,
 Taipei (105), Taiwan
 Tel: <886>-(2)-2718-3666
 Fax: <886>-(2)-2718-8180
 Telex : 23222 HAS-TP
 URL : <http://www.hitachi.com.tw>

Hitachi Asia (Hong Kong) Ltd.
 Group III (Electronic Components)
 7/F., North Tower,
 World Finance Centre,
 Harbour City, Canton Road
 Tsim Sha Tsui, Kowloon,
 Hong Kong
 Tel : <852>-(2)-735-9218
 Fax : <852>-(2)-730-0281
 URL : <http://www.hitachi.com.hk>

Copyright © Hitachi, Ltd., 2001. All rights reserved. Printed in Japan.
 Colophon 2.0