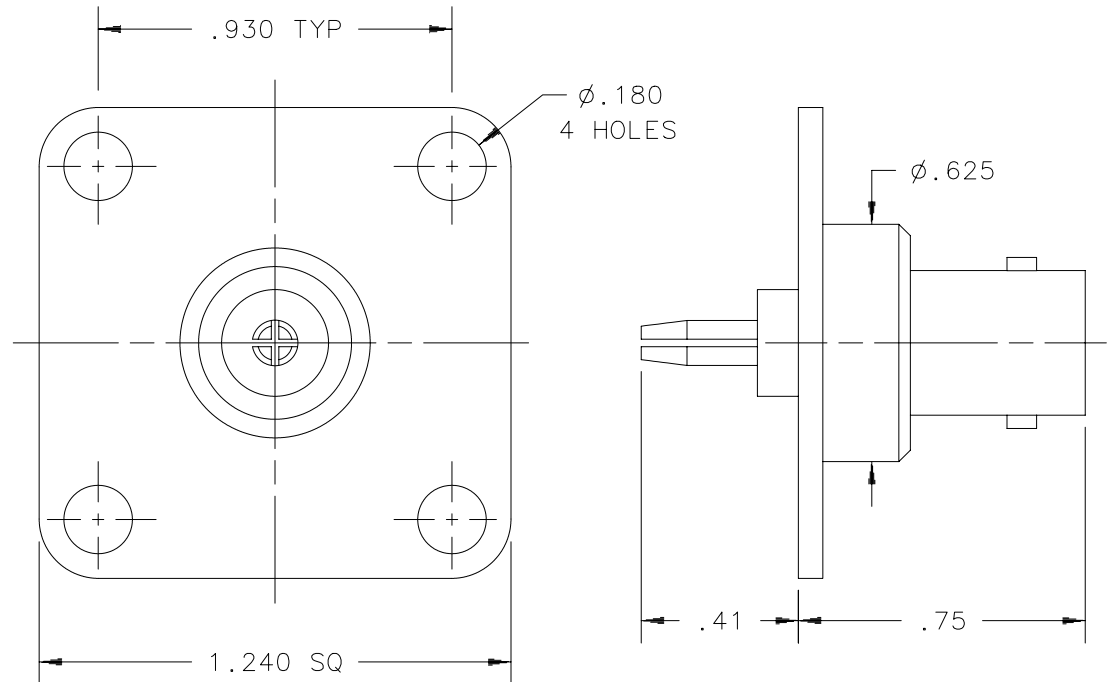
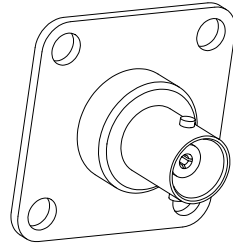


This document, including the design, configuration and mechanical features revealed herein are the sole, confidential and proprietary property of Tru-Connector Corporation. Reproduction or use thereof, in whole or part, is prohibited without the prior written consent of Tru-Connector Corporation.

REV	DESCRIPTION	DATE	APPROVAL
/	ORIGINAL ISSUE	9/7/99	RMK
A	CHANGED PER ECO 2476	12/3/03	DA



**ENGINEERING DATA:**

ELECTRICAL:

IMPEDANCE: 50 Ohms nominal  
 FREQUENCY RANGE: DC to 4.0 GHz

MECHANICAL:


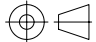
INTERFACE: BNC(f) per MIL-STD-348 fig. 301.2  
 QC(m) per TRU spec.

MATERIAL:

INSULATOR: TEFLON  
 CONTACT: BERYLLIUM COPPER  
 OTHER METAL PARTS: BRASS

FINISH:

CONTACT: SILVER PLATED  
 OTHER METAL PARTS: NICKEL PLATED

Material:	UNLESS OTHERWISE SPECIFIED: DIMENSIONS ARE IN INCHES CHAMFER FIRST THREAD 45° DIMENSIONS BEFORE PLATING	DRAWN BY Warren Whitten	DATE 9/7/99	 TRU-CONNECTOR CORPORATION 245 LYNNFIELD STREET PEABODY, MASSACHUSETTS	
	TOLERANCES: FRACTIONS: ±1/64 .XX : ±.01 .XXX: ±.005 ANGLES: ±1/2° MACHINED SURFACES 63 ✓	ENG APPROVAL Koch	DATE 9/7/99		TITLE
		MFG APPROVAL	DATE		CONNECTOR, COAXIAL, RF BNC(f) to QC(m) ADAPTER, STRAIGHT
		OTHER APPROVAL	DATE		
THIRD ANGLE PROJECTION 	REFERENCE	SIZE A	CAGE CODE 92180	DWG NO. TRU-5898	REV A
		CAD FILE: ADAPTER BETWEEN SERIES/ADAPTER		SCALE 2X	SHEET 1 of 1